

**Ana R Eskreis, RA**  
**WESTHAVEN CONSTRUCTION**  
**SERVICES**  
**2400 WEST 84TH ST SUITE #20**  
**ATT: Roger/TAG WEXLER RESD.**

PLUMBER FIXTURES

**NAME** Geeta Nathai  
**EMAIL** Geeta@gcsnys.com

# Table of Contents

VENDOR	DESCRIPTION	PAGE
<b>MASTER BATH PC</b>		
	<b>Master Bath Pc Collective Images</b>	<b>6</b>
<b>Franz Viegener</b>	<b>Buzz Single Handle Luxury Lavatory Set With Push Down Pop-Up Drain Assembly, No Lift Rod - Polished ...</b>	<b>9</b>
<b>Toto</b>	<b>Rp Wall Hung Toilet - Cotton</b>	<b>11</b>
<b>Toto</b>	<b>SoftClose Slim D-Shape Seat And Lid For Rp Wall Hung Toilet - Cotton White</b>	<b>15</b>
<b>Toto</b>	<b>Basic Round Push Plate Dual Button - White</b>	<b>17</b>
<b>Toto</b>	<b>Duofit In-Wall Tank System 1.28 Gpf And .09 Gpf</b>	<b>19</b>
<b>Franz Viegener</b>	<b>3/4 Thermostatic Wall Rough-In Valve Only Flow Rate 13 Gpm @ 60 Psi</b>	<b>22</b>
<b>Franz Viegener</b>	<b>Skyline Thermostatic Wall Valve, Trim Only - Polished Chrome</b>	<b>24</b>
<b>Franz Viegener</b>	<b>Skyline Wall Volume Control Trim Only - Polished Chrome</b>	<b>26</b>
<b>Franz Viegener</b>	<b>3/4" Wall Volume Control Rough-In Valve Only</b>	<b>28</b>
<b>Franz Viegener</b>	<b>Techno Chic Slidebar With Handshower Assembly And Elbow - Polished Chrome</b>	<b>30</b>
<b>Speakman</b>	<b>Icon Shower Head - Polished Chrome</b>	<b>32</b>
<b>Franz Viegener</b>	<b>Shower Arm And Escutcheon - Polished Chrome</b>	<b>34</b>
<b>BATH 1 PC</b>		
	<b>Bath 1 Pc Collective Images</b>	<b>39</b>
<b>Crosswater</b>	<b>Wisp Single Hole Faucet - Polished Chrome</b>	<b>43</b>
<b>Duravit</b>	<b>ME By Starck One Piece Toilet - White</b>	<b>45</b>
<b>Duravit</b>	<b>ME By Starck Toilet Seat - White</b>	<b>48</b>

<b>Graff</b>	<b>Sento Round M Series Thermostatic Valve Trim Plate With Handle - Polished Chrome</b>	<b>50</b>
<b>Graff</b>	<b>M Series Thermostatic Rough Valve</b>	<b>52</b>
<b>Graff</b>	<b>Sento Round M Series Stop / Volume Control Valve Trim With Handle - Polished Chrome</b>	<b>54</b>
<b>Graff</b>	<b>M Series Stop / Volume Control Rough</b>	<b>56</b>
<b>Graff</b>	<b>Sento Tub Spout - Polished Chrome</b>	<b>58</b>
<b>Graff</b>	<b>Various Contemporary Handshower With Wall Bracket - Polished Chrome</b>	<b>60</b>
<b>Hansgrohe - Axor</b>	<b>9" Shower Arm Standard - Chrome</b>	<b>62</b>
<b>Speakman</b>	<b>Icon Shower Head - Polished Chrome</b>	<b>66</b>
<b>Kohler</b>	<b>Clearflo Brass Toe Tap Bath Drain - Polished Chrome</b>	<b>68</b>
<b>Kohler</b>	<b>Bellwether Cast Iron Bath, Right Hand - White</b>	<b>71</b>
<b>BATH 2 PC</b>		
	<b>Bath 2 Pc Collective Images</b>	<b>76</b>
<b>Fantini</b>	<b>Mint Single Control Washbasin Mixer - Chrome</b>	<b>80</b>
<b>Duravit</b>	<b>L-Cube Two Drawer Wall Mount Vanity Unit - White High Gloss</b>	<b>82</b>
<b>Duravit</b>	<b>Space Saving Siphon - White</b>	<b>87</b>
<b>Duravit</b>	<b>Vero Air Wall Mount Sink - White</b>	<b>89</b>
<b>Duravit</b>	<b>ME By Starck Wall Mounted Toilet - White</b>	<b>92</b>
<b>Duravit</b>	<b>ME By Starck Toilet Seat - White</b>	<b>94</b>
<b>Geberit North America</b>	<b>Duofix Element For Wall-hung Water Closet, 120 Cm, With Sigma Concealed Cistern 8 Cm, For Wood Frame...</b>	<b>96</b>
<b>Geberit North America</b>	<b>Actuator Plate Sigma30 For Dual Flush - Bright Chrome / Matt Chrome</b>	<b>100</b>
<b>Graff</b>	<b>Sade Square M Series Valve Trim With Three Handles - Polished Chrome</b>	<b>102</b>

<b>Graff</b>	<b>M Series Thermostatic Rough Valve</b>	<b>104</b>
<b>Graff</b>	<b>M Series Stop / Volume Control Rough</b>	<b>106</b>
<b>Fantini</b>	<b>Mint Wall Mount Handshower Set - Chrome</b>	<b>108</b>
<b>Graff</b>	<b>Contemporary 5" Shower Arm - Polished Chrome</b>	<b>110</b>
<b>Speakman</b>	<b>Icon Shower Head - Polished Chrome</b>	<b>112</b>

VENDOR	DESCRIPTION	PAGE
Franz Viegener	Buzz Single Handle Luxury Lavatory Set With Push Down Pop-Up Drain Assembly, No Lift Rod - Polished Chrome	9
Toto	Rp Wall Hung Toilet - Cotton	11
Toto	SoftClose Slim D-Shape Seat And Lid For Rp Wall Hung Toilet - Cotton White	15
Toto	Basic Round Push Plate Dual Button - White	17
Toto	Duofit In-Wall Tank System 1.28 Gpf And .09 Gpf	19
Franz Viegener	3/4 Thermostatic Wall Rough-In Valve Only Flow Rate 13 Gpm @ 60 Psi	22
Franz Viegener	Skyline Thermostatic Wall Valve, Trim Only - Polished Chrome	24
Franz Viegener	Skyline Wall Volume Control Trim Only - Polished Chrome	26
Franz Viegener	3/4" Wall Volume Control Rough-In Valve Only	28
Franz Viegener	Techno Chic Slidebar With Handshower Assembly And Elbow - Polished Chrome	30
Speakman	Icon Shower Head - Polished Chrome	32
	Shower Arm And Escutcheon - Polished Chrome	34



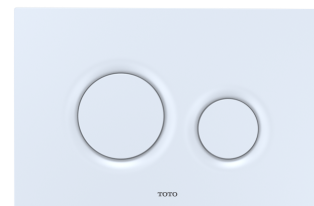
Buzz Single Handle Luxury Lavatory Set With Push Down Pop-Up Drain Assembly, No Lift Rod - Polished Chrome  
**Qty:** 2



Rp Wall Hung Toilet - Cotton  
**Qty:** 1



SoftClose Slim D-Shape Seat And Lid For Rp Wall Hung Toilet - Cotton White  
**Qty:** 1

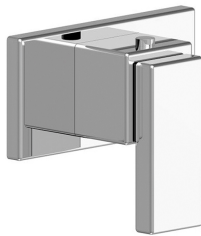


Basic Round Push Plate Dual Button - White  
**Qty:** 1



Duofit In-Wall Tank System 1.28 Gpf And .09 Gpf  
**Qty: 1**

3/4" Thermostatic Wall Rough-In Valve Only Flow Rate 13 Gpm @ 60 Psi  
**Qty: 1**



Skyline Thermostatic Wall Valve, Trim Only - Polished Chrome  
**Qty: 1**



Skyline Wall Volume Control Trim Only - Polished Chrome  
**Qty: 2**



3/4" Wall Volume Control Rough-In Valve Only  
**Qty: 2**



Techno Chic Slidebar With Handshower Assembly And  
Elbow - Polished Chrome  
**Qty: 1**



Icon Shower Head - Polished Chrome  
**Qty: 1**



Shower Arm And Escutcheon - Polished Chrome  
**Qty: 1**

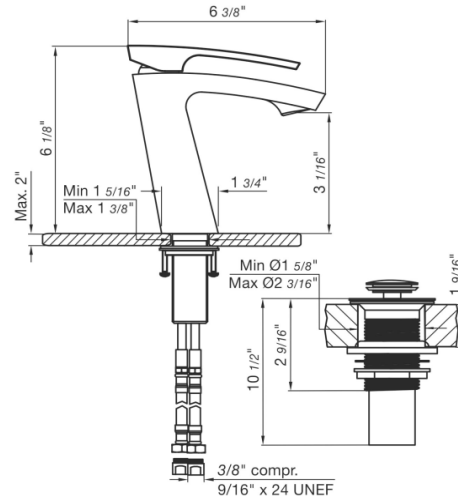




**BUZZ - FV181/J8**

Single handle lavatory set with pop-up drain assembly.  
Monocomando con desagüe "pop up".

FRANZ VIEGNER



**FEATURES**  
CARACTERÍSTICAS

- All brass construction.  
Producto realizado íntegramente en latón.
- Brass valve bodies.  
Cuerpos de válvulas fabricados en latón.
- Stationary spout with recessed aerator device.  
Pico con aireador oculto.
- Flexible SS connectors with sediment screens.  
Flexibles con conectores SS y filtro de sedimento.

**FLOW RATE**  
CAUDAL

- Maximum flow rate 1,2 gpm (4,5 l/min).  
Caudal máximo 1,2 gpm (4,5 l/min).

**COLOR / FINISHES**  
COLOR / ACABADOS

- PC Polished Chrome.
- PN Polished Nickel.
- BN Brushed Nickel.
- BG Brushed Gold.
- PG Polished Gold.
- RG Rose Gold.
- BK Black Chrome.
- FB Flat Black.
- UPB Unlacked Polished Brass

**ITEM DETAILS**  
DETALLE DE PRODUCTO

**COMPLIANCE**  
CERTIFICACIONES





# TOTO® CWT4474047CMFG#MS

## RP WASHLET®+ RX Wall-Hung Toilet, 1.28GPF & 0.9GPF

### FEATURES

#### RP Bowl

- DYNAMAX TORNADO FLUSH® system, high efficiency (1.28GPF/0.9GPF)
- CEFIONTECT® ceramic glaze - prevents debris, mold from sticking to ceramic surfaces
- Universal Height

#### WASHLET+ RX

- Concealed supply connection for seamless installation
- Gentle aerated, warm water, dual action spray with adjustable pressure and oscillating pulsating features
- Adjustable variable temperature for spray, seat, and dryer
- Water PREMIST of bowl before each use
- Automatic air deodorizer
- Convenient slim wireless remote, with illuminated touch pad

#### DuoFit In-Wall Tank

- Dual flushing system, high-efficiency (1.28 GPF/4.8 LPF & 0.9 GPF/3.4 LPF) Avg. flush 1.1 GPF
- Adjustable 15"-19" mounting height
- Saves up to 9" of floor space compared to standard floor-mounted toilet
- Supports up to 880lbs
- Commercial 2" x 6" or optional residential installation with 2" x 4" wall studs with waste outlet kit

### COMPONENTS

- CT447FGT60#01 RP Wall-Hung Toilet
- SW4047T60#01 WASHLET+ RX
- WT173M In-Wall Tank System (1.28 GPF/0.9 GPF)
- YT930#MS Matte Silver Basic Round Push Plate

#### Available Options

- YT920#WH - White Matte Basic Square Push Plate
- YT930#WH - White Matte Basic Round Push Plate
- YT930#MS - Matte Silver Basic Round Push Plate
- YT970#SS - Stainless Steel Wall Square Push Plate
- YT980#SS - Stainless Steel Wall Round Push Plate

### COLORS/FINISHES

- Standard #01 Cotton



 **DYNAMAX TORNADO FLUSH**

 **Skirted Design**

 **CEFIONTECT**

 **Universal Height**

### PRODUCT SPECIFICATION

The two-piece high efficiency DYNAMAX TORNADO FLUSH system toilet shall be 1.0 GPF/3.8 LPF. Toilet shall have high profile tank, elongated front bowl and chrome trip lever. Toilet shall be universal height CST447CFG model shall have CEFIONTECT ceramic glaze. Toilet shall be TOTO Model CST447CFG\_\_\_\_\_.

### CODES/STANDARDS

- Meets and exceeds ASME A112.19.2/CSA B45.1
- Certifications: IAPMO (cUPC), EPA WaterSense, State of Massachusetts, City of Los Angeles, and others
- Code Compliance: UPC, IPC, NSPC, NPC Canada, and others
- Legislative Compliance: California AB715, California Green Building Code, City of Los Angeles Water Efficiency Ordinance



# CWT4474047CMFG#MS

## RP WASHLET®+ RX Wall-Hung Toilet, 1.28GPF & 0.9GPF

### SPECIFICATIONS & INSTALLATION NOTES

	SW4047T60
<b>Power Rating</b>	AC 120V-60Hz, 406W
<b>Power Cord</b>	2.95 ft/120 cm Length 3 Prong Grounded Plug
<b>Water Feature (Flow Rates)</b>	Front: 9.8-14.5 oz/min
	Rear: 9.1-14.5 oz/min
	Front: 9.8-14.5 oz/min
	Soft Rear: 9.8-14.5 oz min
<b>Washing Spray Temp.</b>	Min: 86°F/30°C Max: 104°F/40°C
<b>Safety Device</b>	Thermal Fuse
<b>Air Dryer Temp.</b>	Min: About 140°F/60°C Max: About 86°F/30°C
<b>Dryer Air Capacity</b>	9.53 ft³/min
<b>Seat Warming Temp.</b>	Min: 82°F/28°C Max: 97°F/36°C
<b>Water Supply Pressure</b>	Min: 7.25 psi Max: 108.75 psi
<b>Ambient Temp.</b>	Min: 32°F/0°C Max: 104°F/40°C
<b>Warranty</b>	One Year Limited Warranty
<b>Shipping Weight</b>	18 lbs.
<b>Shipping Dimensions</b>	26" x 17" x 9-3/4"

	CT447CFG60	WT173M
<b>Water Use</b>	1.28 GPF & 0.9 GPF (4.8 LPF & 3.4 LPF)	1.28 GPF & 0.9 GPF (4.8 LPF & 3.4 LPF)
<b>Flush System</b>	DYNAMAX TORNADO FLUSH®	Dual-Max®
<b>Min. Water Pressure</b>	8 psi (static)	8 psi (static)
<b>Water Surface</b>	5-1/2" X 4-1/8"	
<b>Trap Diameter</b>	2-1/8"	
<b>Installation Height</b>	15" to 19"	15" to 19"
<b>Trap Seal</b>	2-1/8"	
<b>Warranty</b>	One Year Limited Warranty	One Year Limited Warranty
<b>Material</b>	Vitreous China	Various
<b>Shipping Weight</b>	76 lbs.	43 lbs
<b>Shipping Dimensions</b>	16" L x 14"W x 24" H	47-1/2" x 26" x 6"

#### RX WASHLET

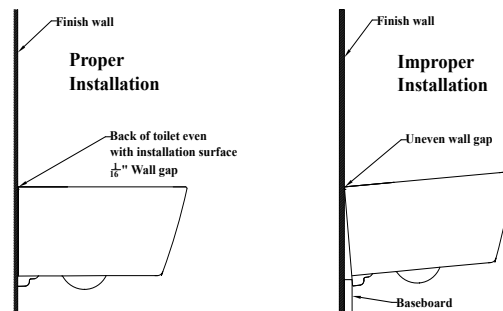
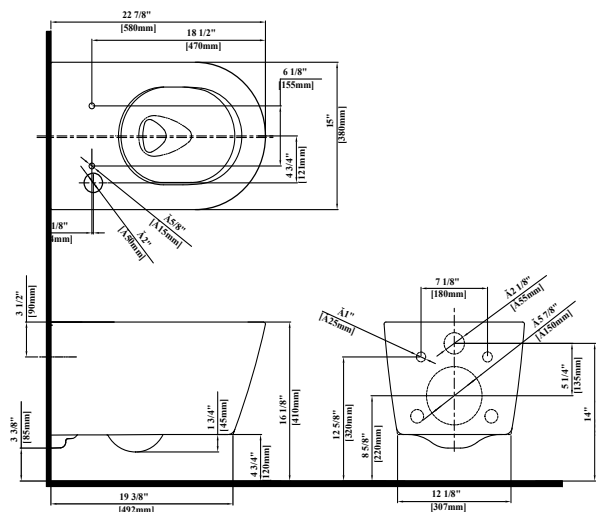
- WASHLET RX may not fit certain toilet bowl designs
- If possible, with your order, please include your model number (from the underside of the tank lid)
- It is highly recommended to use a surge protector to prevent damage in the event of a power surge

#### DuoFit In-Wall Tank

- Adequate structural bracing is required

### DIMENSIONS

#### CT447CFG60

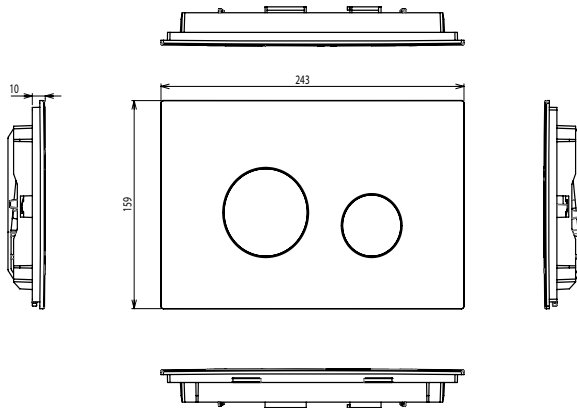


# CWT4474047CMFG#MS

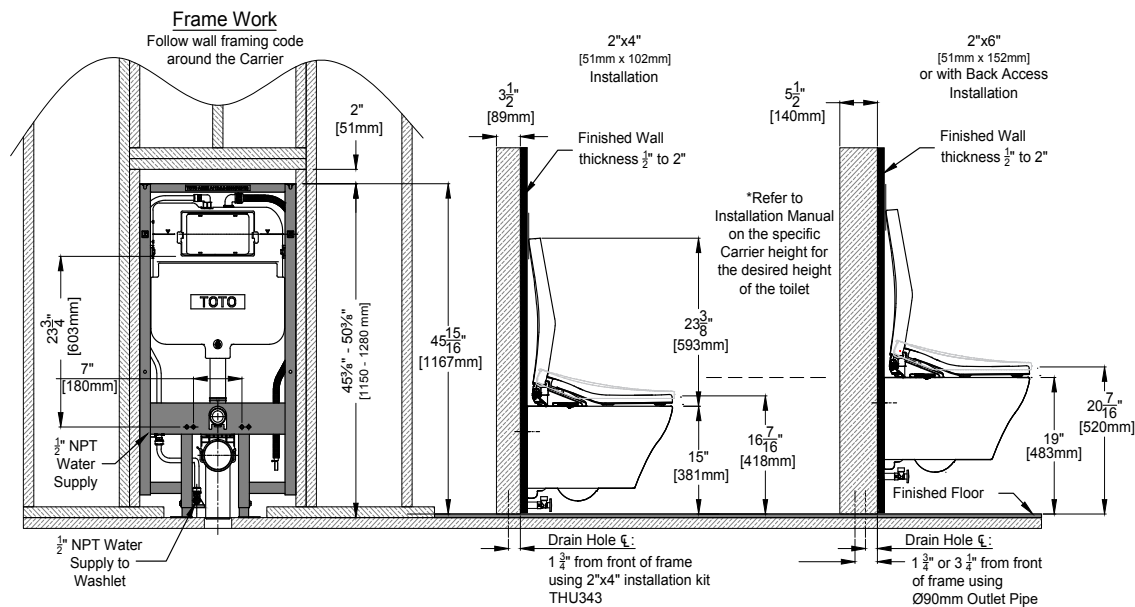
RP WASHLET®+ RX Wall-Hung Toilet, 1.28GPF & 0.9GPF

## DIMENSIONS

### YT930



### WT173M



**TOTO**

These dimensions and specifications are subject to change without notice

Ph: (888) 295-8134 | Fax: (800) 699-4889 | www.totousa.com | © TOTO USA

#SS-01502 v.01



# TOTO®

# SS247

## Slim D-Shape SoftClose® Seat

### FEATURES

- Closed front SoftClose toilet seat and cover
- Quick-release hinge system for easy cleaning
- Slim design for an ultra-sleek aesthetic
- Mounting hardware included
- Seat and cover made of urea resin
- Stainless steel hinge caps

### MODELS

- SS247  
Slim D-Shape SoftClose Seat

### COLOR

- #01 Cotton

### PRODUCT SPECIFICATIONS

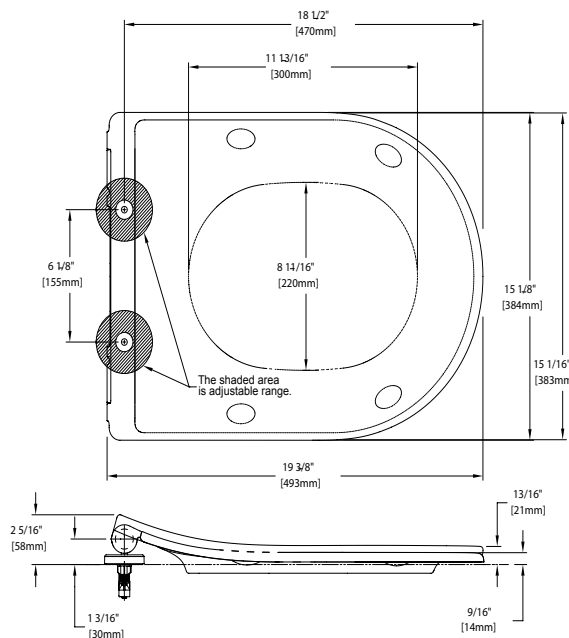
Seat shall be model SS247#01. Seat shall be made from urea resin for both the seat and seat cover. The seat installation is top mount installation with stainless steel adjustable hinge plates and hinge caps.

### SPECIFICATIONS

<b>Material</b>	Urea Resin
<b>Warranty</b>	One Year Limited Warranty
<b>Shipping Weight</b>	8 lbs, 5 oz
<b>Shipping Dimensions</b>	20-1/2" L x 19-1/4" W x 3-1/4" H



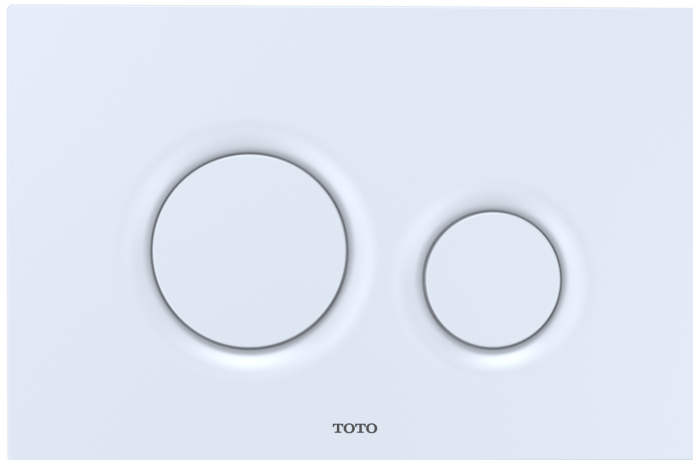
### DIMENSIONS



# TOTO®

These dimensions and specifications are subject to change without notice





**TOTO®**

**YT930**

**Basic Round Push Plate - Dual Button**

**FEATURES**

- Push plate with dual buttons that mounts to TOTO in-wall tank system WT171M, WT172M, or WT173M.
- Push plate in Matte Silver or White.



**MODELS**

- YT930 #MS - Matte Silver
- YT930 #WH - White

**COLORS/FINISHES**

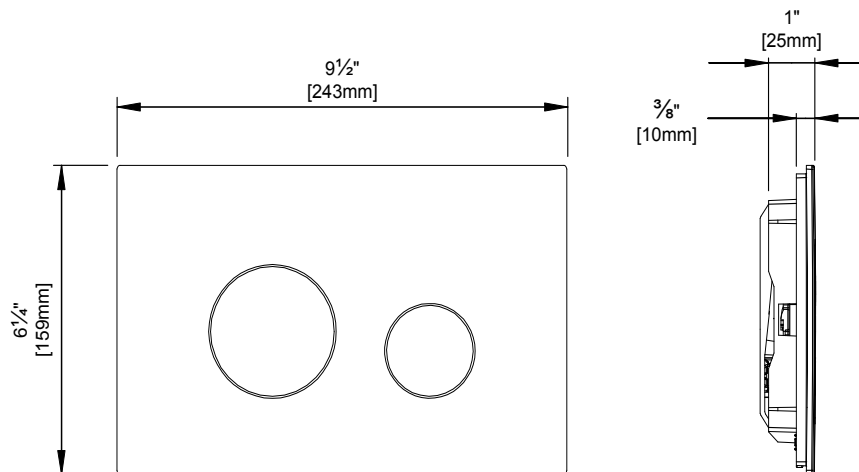
- #MS - Matte Silver
- #WH - White

**SPECIFICATIONS**

- Warranty 1-year limited warranty
  - Material ABS
  - Shipping Weight TBD
  - Shipping Dimensions 10" x 7" x 2"
- Carton (10pcs.) TBD  
Carton (10pcs.) TBD  
TBD

**PRODUCT SPECIFICATION**

Push plate shall be model # YT930#\_\_\_\_ Push plate shall be either Matte Silver or White with 2 actuators on the front. Push plate shall be mounted to in-wall tank system WT172M.



**TOTO®**

*These dimensions and specifications are subject to change without notice*



**TOTO®**

**WT173M(A)**

**DUOFIT® In-Wall Tank Unit, 1.28 GPF & 0.9 GPF**

**FEATURES**

- Dual-Max® flushing system, low consumption (1.28 GPF/4.8 LPF & 0.9 GPF/3.4 LPF)
- Auto Flush function capability
- Adjustable 15" -19" mounting height
- Support up to 880 lbs.
- Commercial 2" x 6" or optional residential installation with 2" x 4" wall studs with waste outlet kit
- 1-pc blow molded, insulated polyethylene tank to prevent leaks and sweating
- 2" x 6" Polyethylene outlet included
- Pre-plumbed for WASHLET® connection
- Copper supply line

**MODELS**

- WT173M - with copper washlet supply line
- WT173MA - Same as WT173M with Auto Flush connection

**Required Push Plates (Sold Separately)**

- YT920 #MS - Matte Silver  
#WH - White
- YT930 #MS - Matte Silver  
#WH - White
- YT970 #SS - Stainless Steel
- YT980 #SS - Stainless Steel

**Compatible Outlets (Sold Separately)**

- THU343 2" x 4" outlet HDPE & PVC
- THU335 2" x 6" outlet cast iron

**Compatible Wall Hung Bowls (Sold Separately)**

- CT437FGT20 - MH WASHLET+ Wall-Hung
- CT447CFGT60 - RP WASHLET+ Wall-Hung
- CT449CFGT60 - SP WASHLET+ Wall-Hung
- CT426CFGT40 - AP WASHLET+ Wall-Hung
- CT428CFGT40 - EP WASHLET+ Wall-Hung



**CODES/STANDARDS**

- Meets and exceeds
  - o Carrier system: ASME A112.6.2
  - o Tank trim: IAPMO PS50, CSA B125.3, ASSE1002
- Certifications: IAPMO(cUPC), \*EPA Watersense, State of Massachusetts, City of Los Angeles, and others
- Code compliance: UPC, IPC, NSPC, NPC Canada, and others



**PRODUCT SPECIFICATION**

This universal height, high-efficiency, dual flushing, in-wall tank system toilet shall be 1.28 GPF & 0.9 GPF. Requires TOTO toilet model CT437FGT20, CT426CFGT40, CT428CFGT40, CT447CFGT60, and CT449CFGT60. In-Wall tank system shall be TOTO Model WT173M\_\_\_\_\_.

\*WaterSense certification only applies to WT173M(A) when combined with either model CT437FGT20, CT426CFGT40, CT428CFGT40, CT447CFGT60, and CT449CFGT60 toilet bowls.

# WT173M(A)

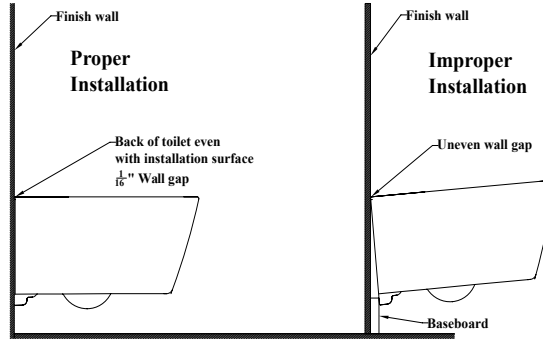
## DUOFIT In-Wall Tank Unit, 1.28 GPF & 0.9 GPF

### SPECIFICATIONS

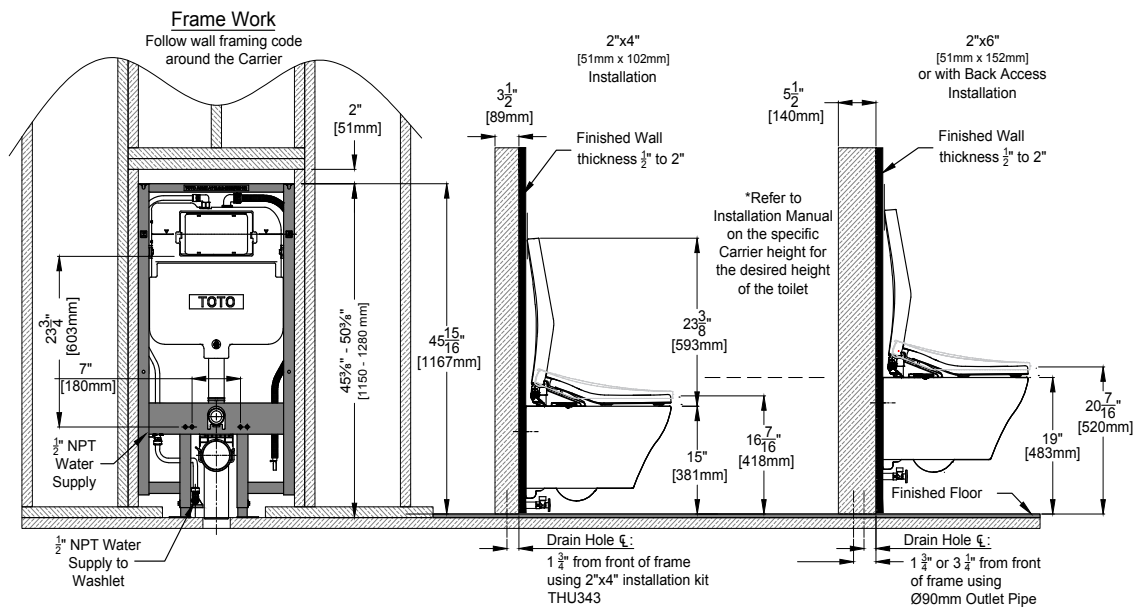
- Water Use 1.28 GPF & 0.9 GPF (4.8 LPF & 3.4 LPF)
- Flush System Dual-Max
- Min. Water Pressure 8 psi (static)
- Installation Height 15" to 19" (projected range)
- Warranty One Year Limited Warranty
- Material Various
- Shipping Weight 43 lbs
- Shipping Dimensions 47-1/2" x 26" x 6"

### INSTALLATION NOTES

Adequate structural bracing is required.

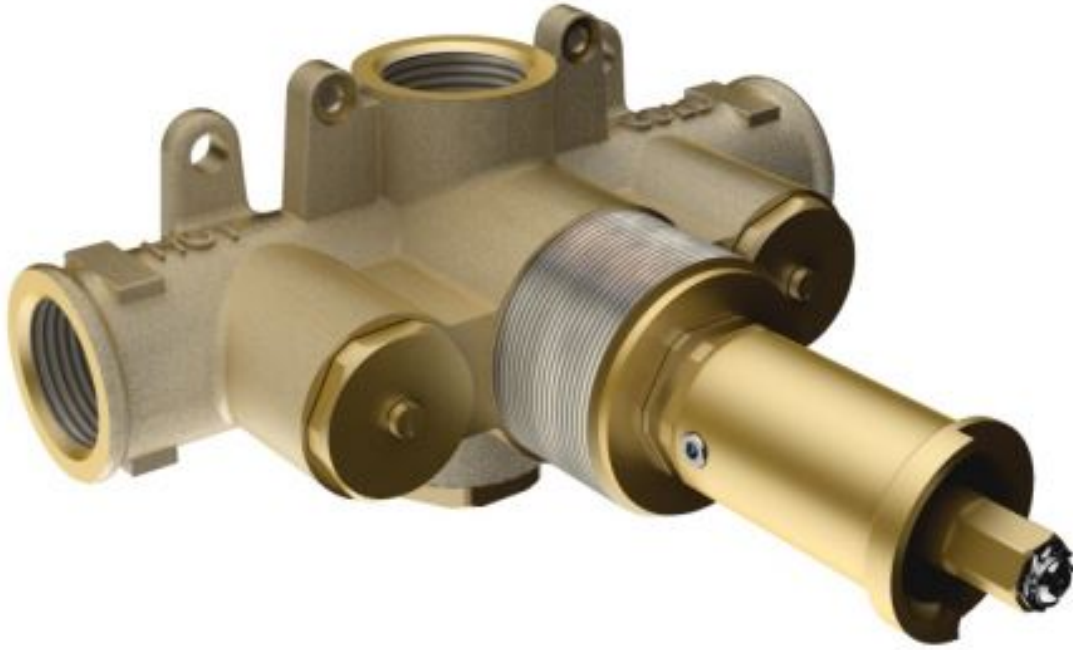


### DIMENSIONS



**TOTO**

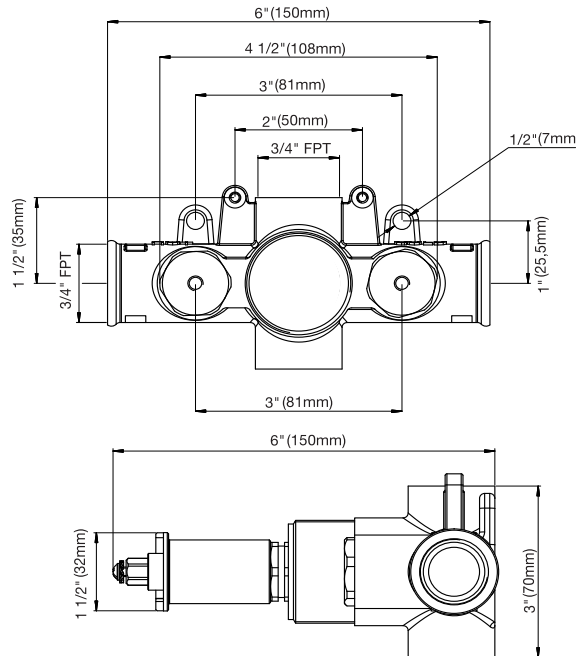
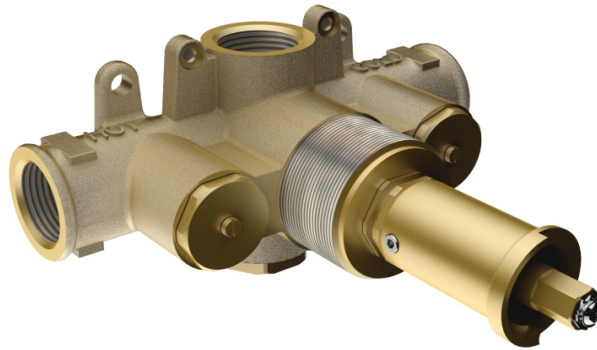
These dimensions and specifications are subject to change without notice



FV217.BASE

3/4" thermostatic wall rough-in valve only  
Base para válvula termostática de 3/4"

FRANZ VIEGENER



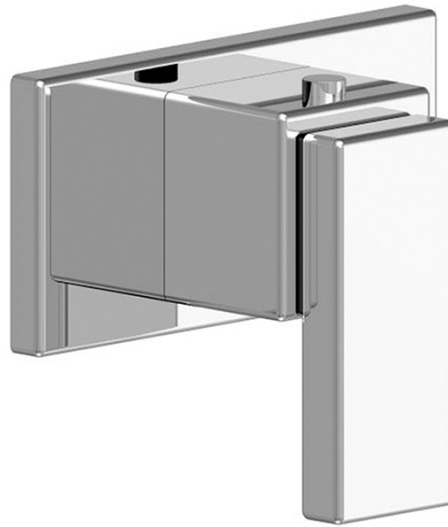
FEATURES  
CARACTERÍSTICAS

- Solid brass construction / Construido íntegramente en latón
- Provides anti-scald protection and temperature regulation / Protección contra quemaduras y regulación de temperatura
- Must use with separate stop/volume control / Debe ser usada con válvula separada de control de volumen
- High-temperature safety stop ensures water temperature stays below maximum setting / La parada de seguridad de alta temperatura asegura que la misma se mantenga por debajo del ajuste máximo
- Integral hot and cold inlet stops ensure easy cartridge access / Los topes de entrada de gua caliente y fría garantizan un fácil acceso a los cartuchos
- 3/4" NPT female thread (inlet and outlet) valve body / Cuerpo de válvula con rosca hembra NPT de 3/4" (entrada y salida)
- Mounting tabs located on rough-in for secure installation option / Lenguetas de montaje para una opción de instalación segura
- Single outlet configuration / Configuración de salida única
- 17.5 gpm (gallons per minute) flow rate (@ 45 psi) / 66,2 lpm (litros por minuto) Caudal (4 kg/cm<sup>2</sup>)
- 3/4" Thermostatic Trim (many options available, sold-separately) / Vista para base de válvula termostática de 3/4" se vende por separado

COMPLIANCE  
CERTIFICACIONES



4000 Porett Drive, Gurnee, Illinois 60031  
Phone 847-244-3837 / Fax 866-245-9318  
[www.franzviegener.com](http://www.franzviegener.com) / [info@franzviegener.com](mailto:info@franzviegener.com)



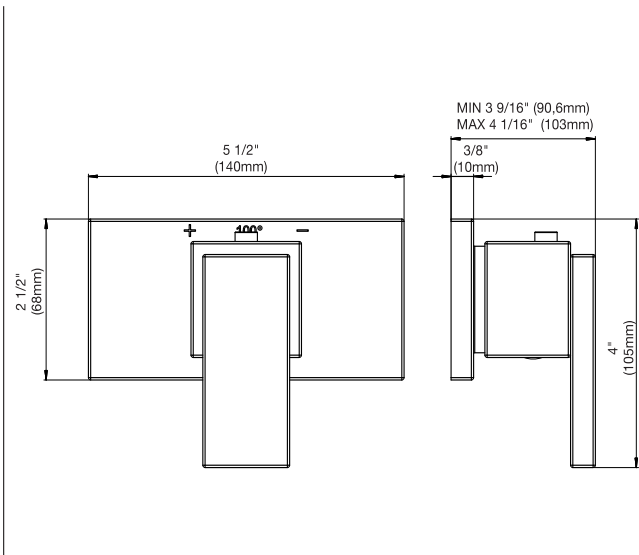


SKYLINE - FV217/J9.0

Thermostatic wall valve - trim only.

Conjunto decorativo para juego termostático.

FRANZ VIEGENER



FEATURES

CARACTERÍSTICAS

- All brass construction.  
Producto realizado íntegramente en latón.
- Safety stop device (100°F)  
Dispositivo de detención segura (38°C).

COLOR / FINISHES

COLOR / ACABADOS

- |                        |                        |                                 |
|------------------------|------------------------|---------------------------------|
| PC<br>Polished Chrome. | PN<br>Polished Nickel. | BN<br>Brushed Nickel.           |
| BG<br>Brushed Gold.    | PG<br>Polished Gold.   | RG<br>Rose Gold.                |
| BK<br>Black Chrome.    | FB<br>Flat Black.      | UPB<br>Unlacked Polished Brass. |

FLOW RATE

CAUDAL

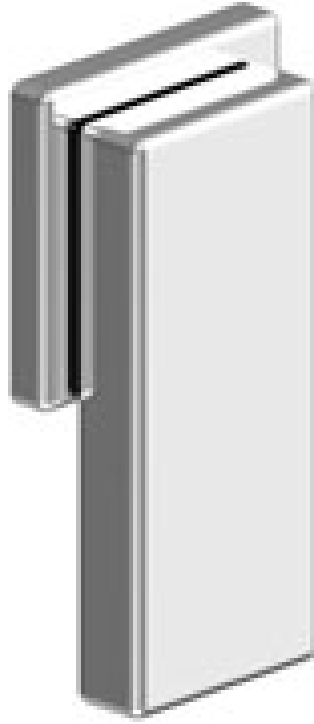
ITEM DETAILS

DETALLE DE PRODUCTO

COMPLIANCE

CERTIFICACIONES



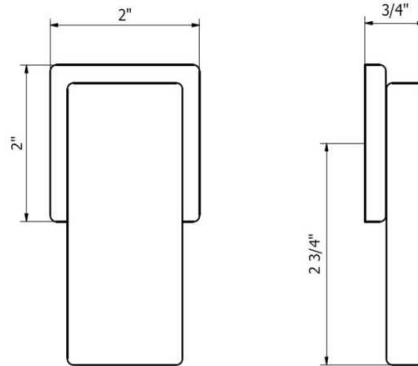


SKYLINE - FV480/J9.0

Wall volume control. Trim only..

Llave de paso armada completa de 3/4".

FRANZ VIEGENER



FEATURES  
CARACTERÍSTICAS

- All brass construction.  
Producto realizado íntegramente en latón.

COLOR / FINISHES  
COLOR / ACABADOS

- |                        |                        |                                |
|------------------------|------------------------|--------------------------------|
| PC<br>Polished Chrome. | PN<br>Polished Nickel. | BN<br>Brushed Nickel.          |
| BG<br>Brushed Gold.    | PG<br>Polished Gold.   | RG<br>Rose Gold.               |
| BK<br>Black Chrome.    | FB<br>Flat Black.      | UPB<br>Unlacked Polished Brass |

FLOW RATE  
CAUDAL

ITEM DETAILS  
DETALLE DE PRODUCTO

COMPLIANCE  
CERTIFICACIONES





# FRANZ VIEGENER

FV480.BASE  
3/4 thermostatic rough valve

**Description**

**Features**  
-All brass construction

**Flow Rate**  
-Minium flow rate at 20 PSI (1.1 Gpm)

**Item Details**

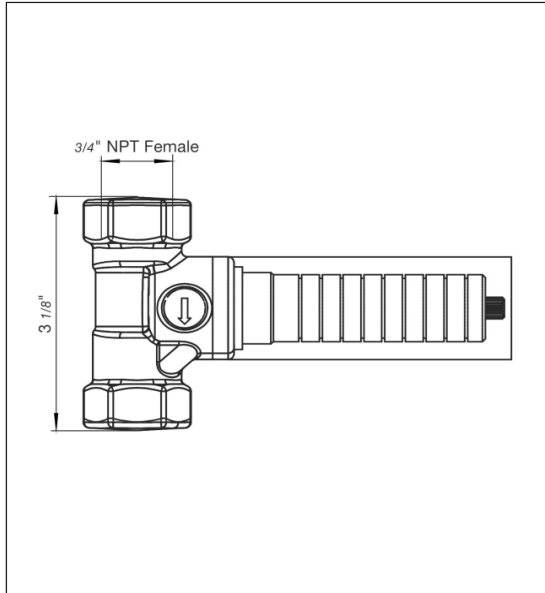
**Color / Finishes**

**Compliance**

**Product image**



**Scale drawing**



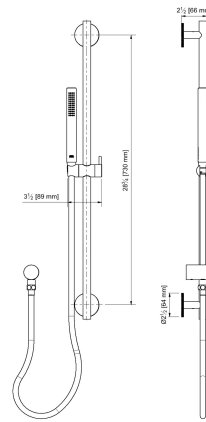


TECHNO CHIC - FV128/K6K

Slidebar with handshower assembly and elbow.

Barral con soporte de ducha deslizante y codo.

FRANZ VIEGENER



FEATURES

CARACTERÍSTICAS

- All brass construction.

Producto realizado íntegramente en latón.

COLOR / FINISHES

COLOR / ACABADOS



FLOW RATE

CAUDAL

- Minimum flow rate 1,5 gpm (5,7 L/min) at 45 PSI
- Maximum flow rate 1,75 gpm (6,6 L/min) at 80 PSI

ITEM DETAILS

DETALLE DE PRODUCTO

COMPLIANCE

CERTIFICACIONES







# S-2251

# SPEAKMAN®

Icon™ Shower Head

## MODELS:

- S-2251: 2.5 GPM (9.5 L/min) flow rate
- S-2251-E2: 2.0 (7.6 L/min) flow rate
- S-2251-E175: 1.75 GPM (6.6 L/min) flow rate

## FEATURES:

- 8 plungers, 64 sprays, 3 spray patterns
- Patented Anystream® plungers resist scale build-up
- Spray adjusting handle
- Solid brass construction
- 1/2" -14 NPTF female inlet
- Corrosion resistant finishes

## STOCK FINISHES:



PC BN ORB\*\* PB\*\* PN\*\* MB\*

## SPECIALTY FINISHES:



BBZ

## OPTIONS/ADD-ONS:

- -BPT : 1/2" British pipe thread inlet

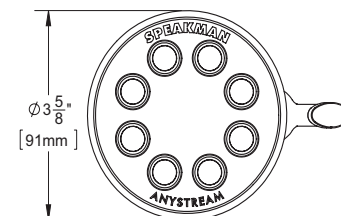
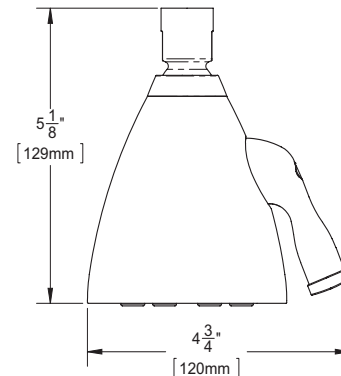
## STANDARDS:

- ASME A112.18.1/CSA B125.1 certified
- CEC (CA Energy Commission) certified, 1.75 GPM only
- WaterSense certified, 2.0 & 1.75 GPM only

## WARRANTY:

Visit [www.speakman.com](http://www.speakman.com) for full product warranty information

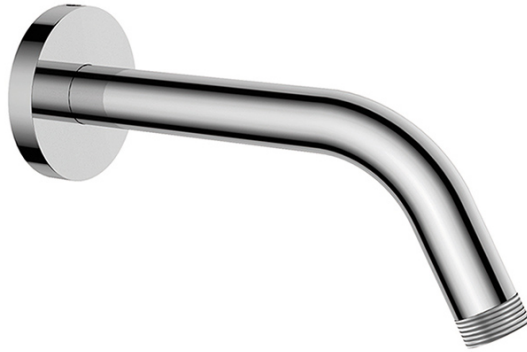
- Limited Lifetime Warranty (consumer)
- 1 Year Limited Warranty (commercial)



All dimensions are in inches (millimeters) unless otherwise specified and are subject to change without notice.  
 \* Available for S-2251-E2 & S-2251-E175. \*\* Available for S-2251-E175

Architect/Engineer Approval Space:

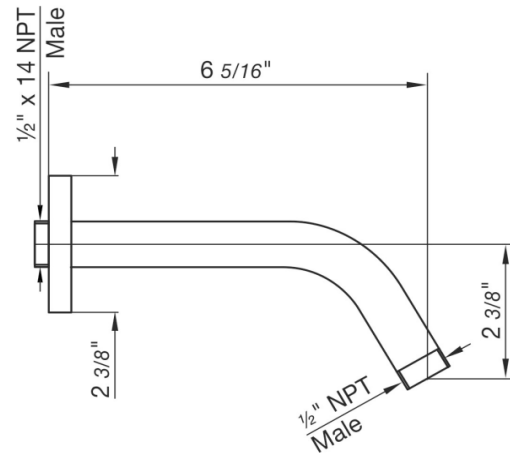
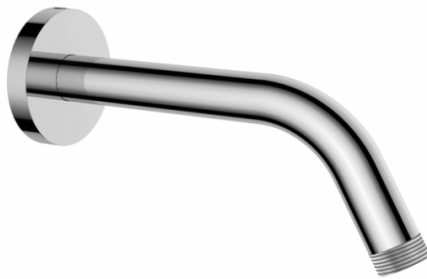
P: 800-537-2107  
 F: 800-977-2747  
 W: WWW.SPEAKMAN.COM  
 R: 03-AUGUST 2021



FV140/39

Shower arm and escutcheon.  
Brazo de ducha con roseta.

FRANZ VIEGNER



FEATURES  
CARACTERÍSTICAS

All brass construction.  
Producto realizado íntegramente en latón.

COLOR / FINISHES  
COLOR / ACABADOS

- PC  
Polished Chrome.
- PN  
Polished Nickel.
- BN  
Brushed Nickel.
- BG  
Brushed Gold.
- PG  
Polished Gold.
- RG  
Rose Gold.
- BK  
Black Chrome.
- FB  
Flat Black.
- UPB  
Unlacked Polished Brass.

FLOW RATE  
CAUDAL

ITEM DETAILS  
DETALLE DE PRODUCTO

COMPLIANCE  
CERTIFICACIONES

**Franz Viegener**

VENDOR	DESCRIPTION	PAGE
Crosswater	Wisp Single Hole Faucet - Polished Chrome	43
Duravit	ME By Starck One Piece Toilet - White	45
Duravit	ME By Starck Toilet Seat - White	48
Graff	Sento Round M Series Thermostatic Valve Trim Plate With Handle - Polished Chrome	50
Graff	M Series Thermostatic Rough Valve	52
Graff	Sento Round M Series Stop / Volume Control Valve Trim With Handle - Polished Chrome	54
Graff	M Series Stop / Volume Control Rough	56
Graff	Sento Tub Spout - Polished Chrome	58
Graff	Various Contemporary Handshower With Wall Bracket - Polished Chrome	60
Hansgrohe - Axor	9" Shower Arm Standard - Chrome	62
Speakman	Icon Shower Head - Polished Chrome	66

<b>Kohler</b>	<b>Clearflo Brass Toe Tap Bath Drain - Polished Chrome</b>	<b>68</b>
<b>Kohler</b>	<b>Bellwether Cast Iron Bath, Right Hand - White</b>	<b>71</b>



Wisp Single Hole Faucet - Polished Chrome  
**Qty:** 1



ME By Starck One Piece Toilet - White  
**Qty:** 1



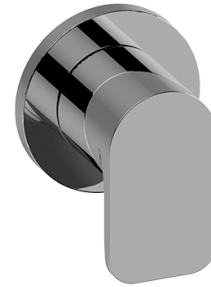
ME By Starck Toilet Seat - White  
**Qty:** 1



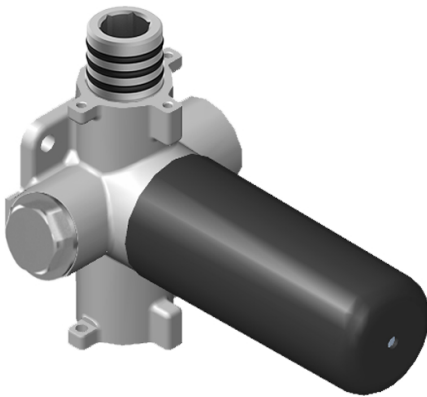
Sento Round M Series Thermostatic Valve Trim Plate With  
Handle - Polished Chrome  
**Qty:** 1



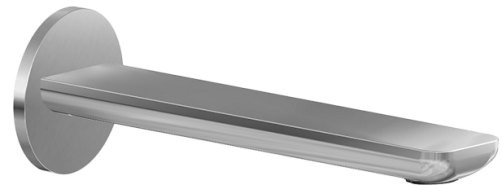
M Series Thermostatic Rough Valve  
**Qty:** 1



Sento Round M Series Stop / Volume Control Valve Trim  
With Handle - Polished Chrome  
**Qty:** 3



M Series Stop / Volume Control Rough  
**Qty:** 3



Sento Tub Spout - Polished Chrome  
**Qty:** 1





Various Contemporary Handshower With Wall Bracket - Polished Chrome  
**Qty: 1**



9" Shower Arm Standard - Chrome  
**Qty: 1**



Icon Shower Head - Polished Chrome  
**Qty: 1**



Clearflo Brass Toe Tap Bath Drain - Polished Chrome  
**Qty: 1**



Bellwether Cast Iron Bath, Right Hand - White  
**Qty:** 1





WISP SINGLE-HOLE BASIN FAUCET

Polished Chrome

US-WP110DPC

FEATURES

- Wisp defines contemporary design with simple elegance
- Solid brass construction
- Kerox ceramic disc cartridge
- Push drain assembly included



SPECIFICATIONS

Finish	Polished Chrome
Barcode	5055806093126
Spout reach	4-23/32"
Spout swivel	No
Handle style	Lever
Drain type	Push
Drain hole diameter	1-3/4"
Deck thickness maximum	1-1/2"
Installation type	Deck mount
Flow rate	1.2 GPM
Weighted average lead content	Complies with .25% WALC
Number of faucet holes	1
IAPMO	Yes
CEC	Yes
State of MA	Yes

✔ Limited lifetime. Commercial



For further information contact Crosswater London, 393 Fortune Blvd, Milford, MA 01757 **Toll free number: 844-XWATER-1 (844-992-8371) tel: 508-381-0433 fax: 508-381-6068**

[www.crosswaterlondon.com](http://www.crosswaterlondon.com) | [technical@crosswaterlondon.com](mailto:technical@crosswaterlondon.com)

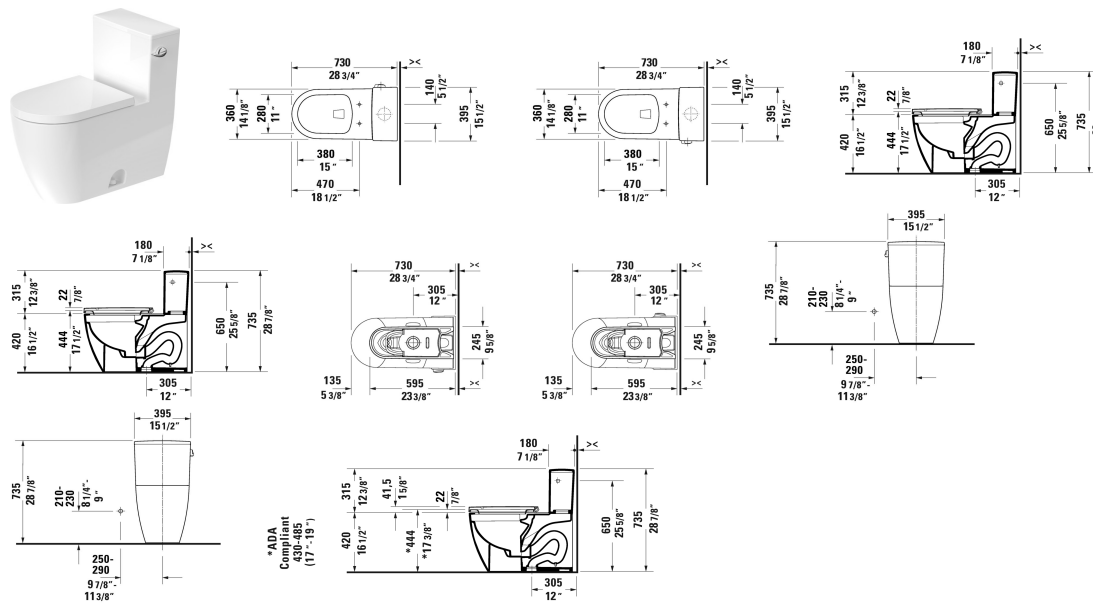
Crosswater London reserves the right to make revisions without notice to product specifications. Please see website for detailed warranty information.





ME by Starck One-Piece toilet Duravit Rimless® & # 218501..02 / 218501..02 / 218501..82 / 218501..82

< 14 1/8" Inch >



One-Piece toilet Duravit Rimless®	Dimension	Weight	Order number
rimless, syphonic, 12" rough-in, vertical outlet, cUPC® listed*, WaterSense® listed			
<b>Colors</b>			
00 White 20 HygieneGlaze (an antibacterial ceramic glaze that provides almost indefinite effectiveness)			
<b>Variant</b>			
◆ 1.28 gpf, with single flush mechanism with side lever left	14 1/8" x 28 3/4 Inch	147.7 lb	218501..02
◆ 1.28 gpf, with single flush mechanism with side lever left	14 1/8" x 28 3/4 Inch	147.7 lb	218501..02
◆ 1.28 gpf, with single flush mechanism with side lever right	14 1/8" x 28 3/4 Inch	147.7 lb	218501..82
◆ 1.28 gpf, with single flush mechanism with side lever right	14 1/8" x 28 3/4 Inch	147.7 lb	218501..82
<b>Infobox</b>			
* Complies with following standards: ASME A112.19.2/CSA B45.1			
Sanitary ceramics with the special WonderGliss surface finish will remain clean and attractive-looking for a long time to come. When ordering WonderGliss please add a "1" as eleventh digit to the model number.			



ME by Starck One-Piece toilet Duravit Rimless® & # 218501..02  
/ 218501..02 / 218501..82 / 218501..82

|< 14 1/8" Inch >|

Mounting set for One-Piece and Two-Piece toilets, outlet 3/8" - male thread, wall connection 1/2" - female thread, 1/2", North American version	17 3/4" Inch	1.1 lb	001417
<b>Suitable products</b>			
Toilet seat ring elongated, open front, hinges plastic, without slow close,			006431
Toilet seat ring elongated, open front, hinges plastic, with slow close,			006439
Toilet seat and cover elongated, hinges stainless steel, without slow close,			002021
Toilet seat and cover elongated, hinges stainless steel, removable, with slow close,			002029

*All drawings contain the necessary measurements which are subject to standard tolerances. They are stated in inch & mm and are non-binding. Exact measurements, in particular for customized installation scenarios, can only be taken from the finished ceramic piece.*







**ME by Starck Toilet seat and cover # 0020290000**



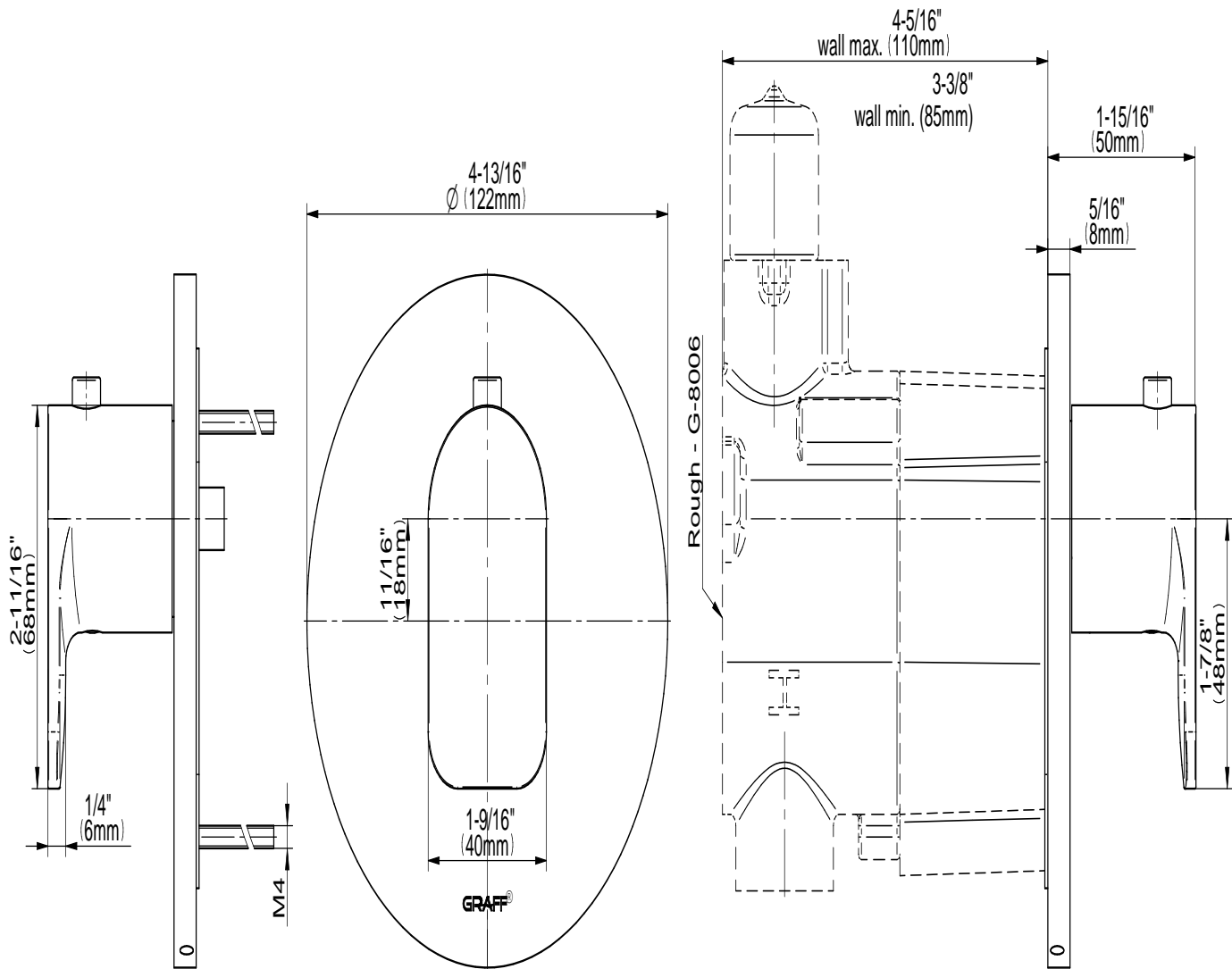
Toilet seat and cover	Dimension	Weight	Order number
removable, elongated, hinges stainless steel, with slow close			
<b>Colors</b>			
00 White			
<b>Variant</b>			
		4.9 lb	0020290000
<b>Suitable products</b>			
Two-Piece toilet (without tank), syphonic, 12" rough-in, vertical outlet, cUPC® listed*, 14 1/8" x 28" Inch	14 1/8" x 28" Inch		217101
One-Piece toilet Duravit Rimless® rimless, syphonic, 12" rough-in, vertical outlet, suitable for SensoWash Starck, cUPC® listed*, 14 1/8" x 28 3/4" Inch	14 1/8" x 28 3/4" Inch		217301
One-Piece toilet Duravit Rimless® rimless, syphonic, 12" rough-in, vertical outlet, cUPC® listed*, 14 1/8" x 28 3/4" Inch	14 1/8" x 28 3/4" Inch		218501

*All drawings contain the necessary measurements which are subject to standard tolerances. They are stated in inch & mm and are non-binding. Exact measurements, in particular for customized installation scenarios, can only be taken from the finished ceramic piece.*

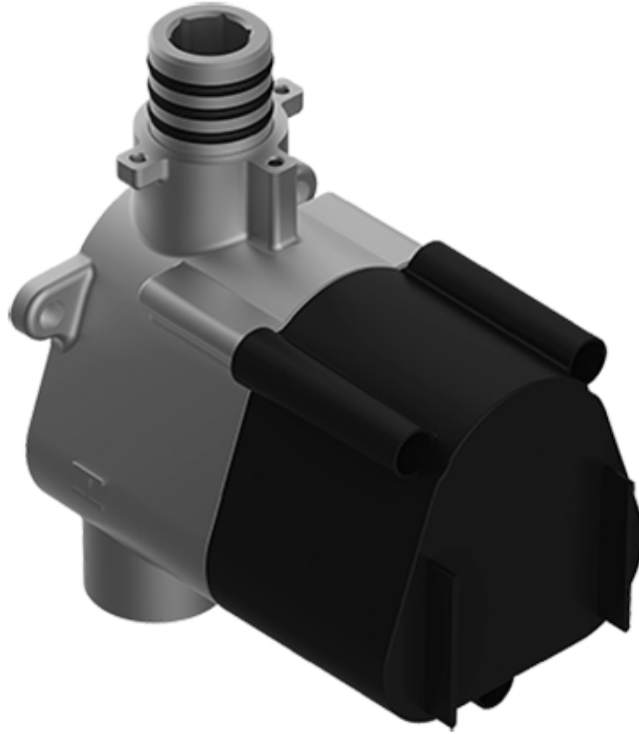


# G-8037-LM42E

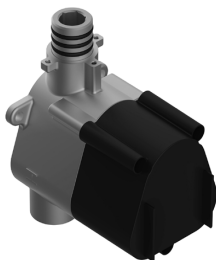
## SENTO Series



**GRAFF®**  
CUTTING EDGE DESIGN



**G-8006**  
M-Series  
3/4" Concealed Thermostatic Rough Valve



Product Features

- 12.9 gpm @ 60 psi
- 3/4" universal inlets
- Built-in service stops
- Stacking outlet feature
- Complete serviceability from front of all units
- Supplied with protective plastic cover
- CalGreen compliant dependent on functions

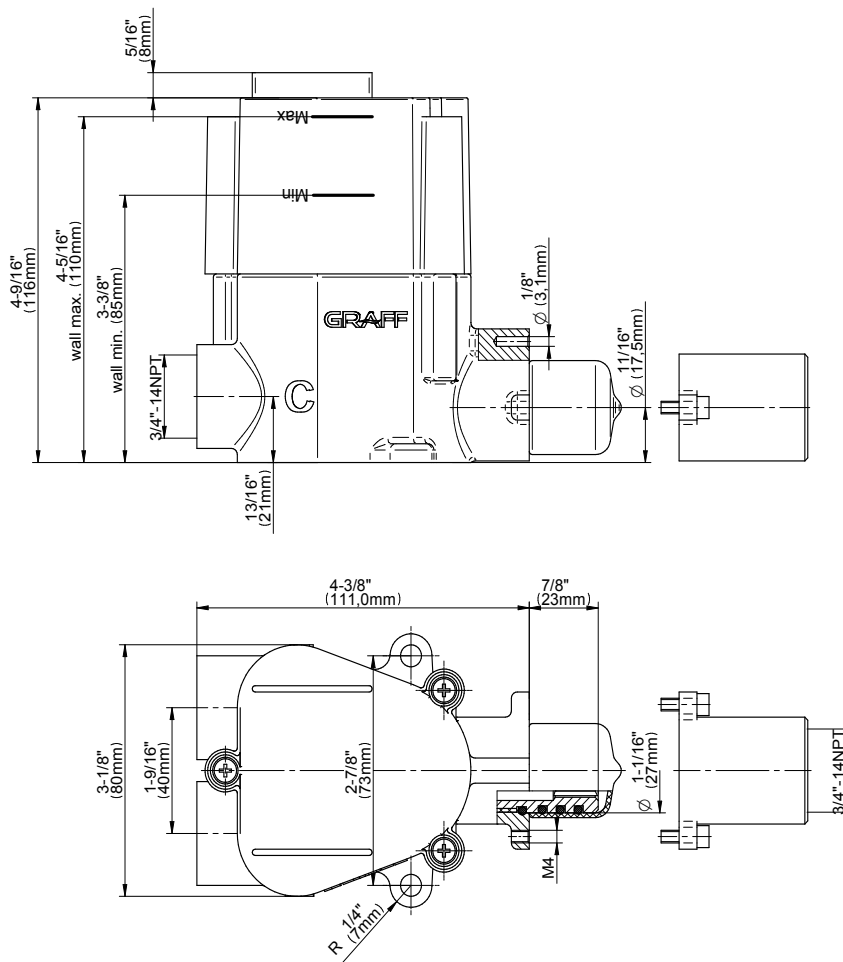
Code Compliance

- CALGreen

Warranty

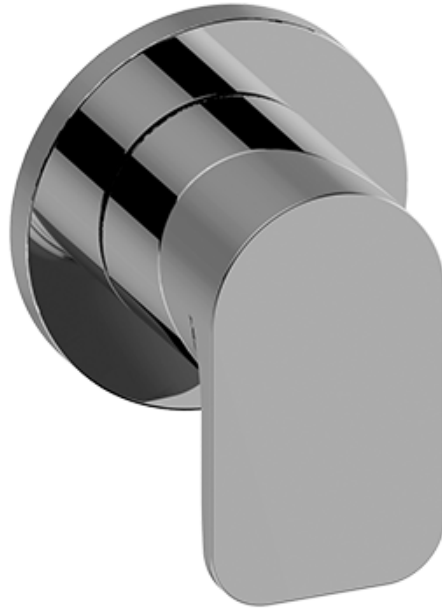
- Limited lifetime warranty

For complete warranty information go to [www.graff-faucets.com/en/info/faqs](http://www.graff-faucets.com/en/info/faqs)



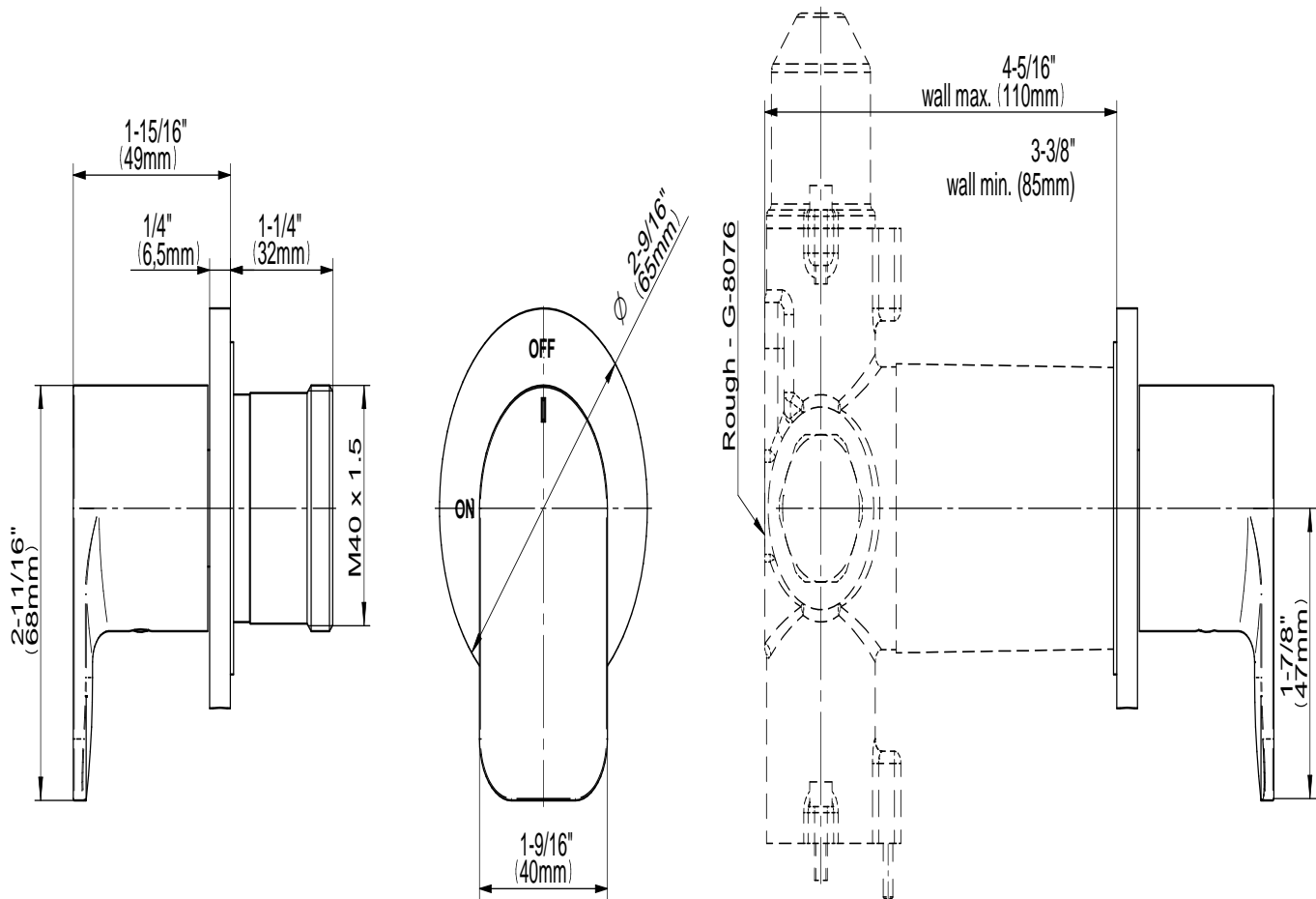
The measurements shown are for reference only. Products and specifications shown are subject to change without notice. Revised 3/2016.

[www.graff-faucets.com](http://www.graff-faucets.com) | phone: 800-954-4723

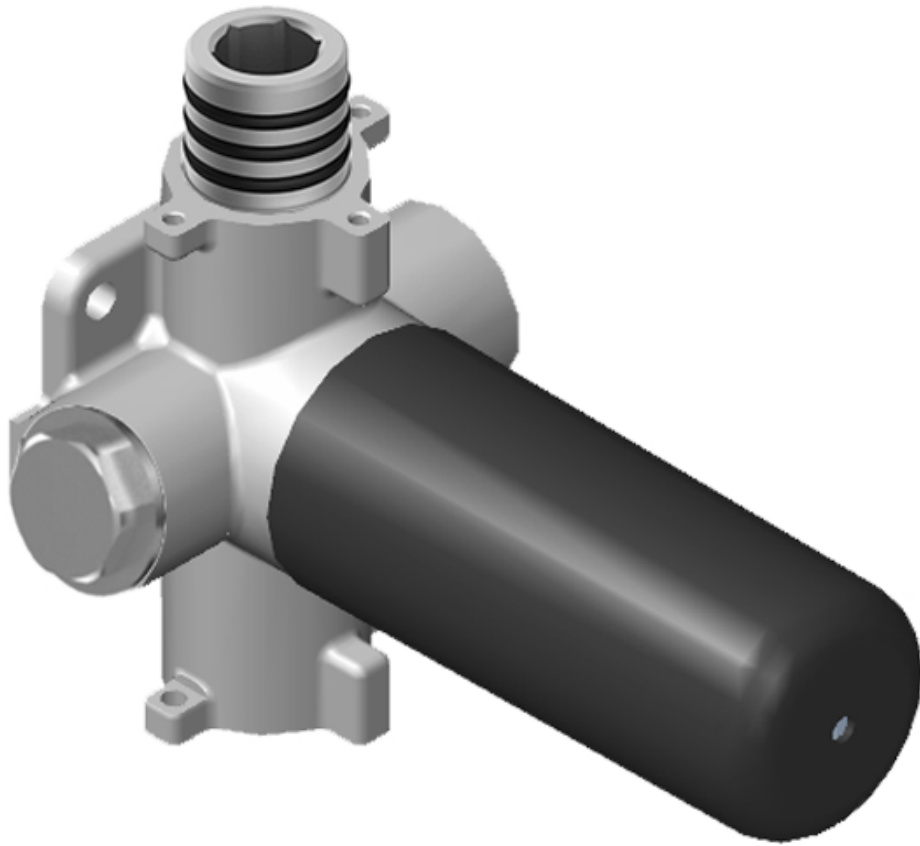


# G-8097-LM42E1-T

## SENTO Series

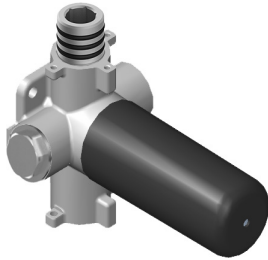


**GRAFF®**  
CUTTING EDGE DESIGN





**G-8076**  
M-Series  
Stop/Volume Control Rough Valve with Pass-Through



Product Features

- 13.2 gpm @ 60 psi
- 3/4" universal inlets/outlets with female threads
- Stacking inlet and pass-through port feature
- Supplied with protective plastic cover
- CalGreen compliant dependent on functions

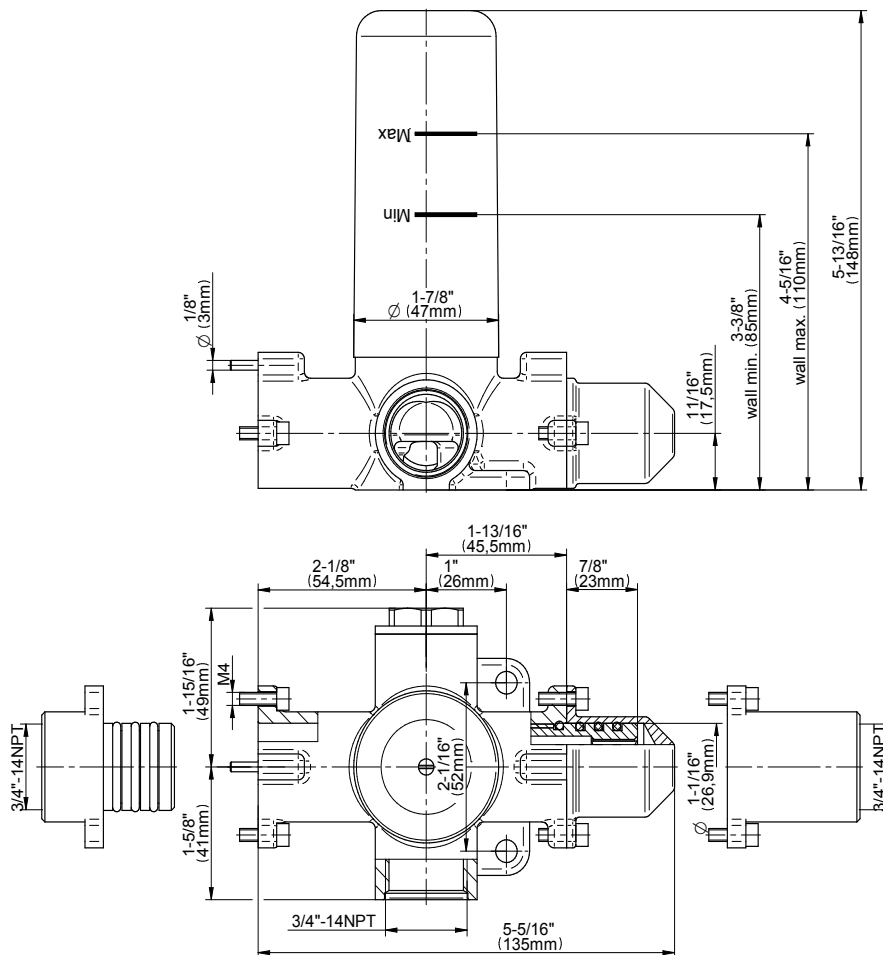
Code Compliance

- CALGreen

Warranty

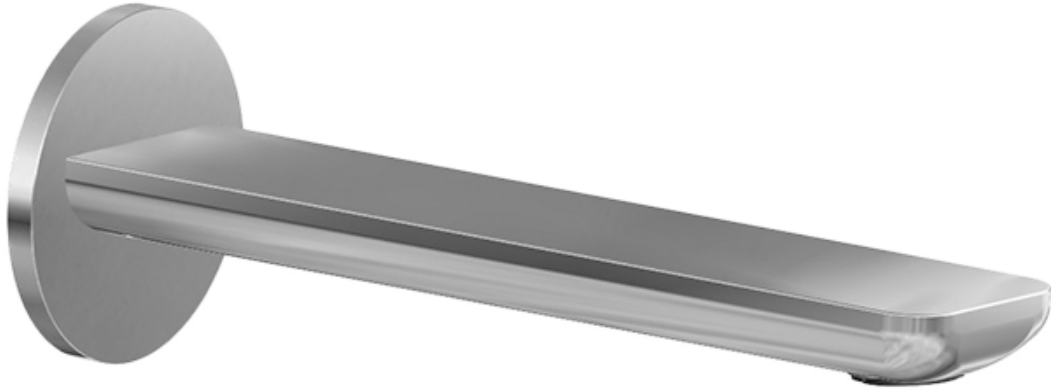
- Limited lifetime warranty

For complete warranty information go to [www.graff-faucets.com/en/info/faqs](http://www.graff-faucets.com/en/info/faqs)



The measurements shown are for reference only. Products and specifications shown are subject to change without notice. Revised 3/2016.

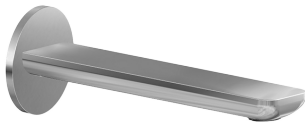
[www.graff-faucets.com](http://www.graff-faucets.com) | phone: 800-954-4723



**G-6365**

Sento Collection  
Sento 7" Tub Spout

**GRAFF®**



Product Features

- Includes spout ring
- 1/2" NPT female thread inlet
- Tub spout flow rate ~ 14.0 gpm @60 psi

Available Finishes

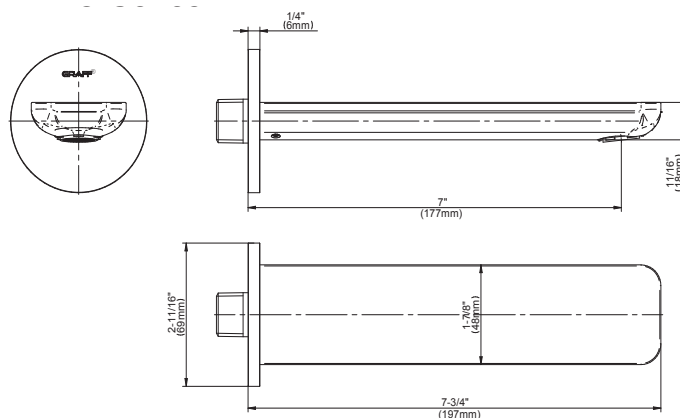
- Polished Chrome  
G-6365-PC
- Brushed Nickel  
G-6365-BNi
- Polished Nickel  
G-6365-PN
- Olive Bronze  
G-6365-OB
- Unfinished Brass\*  
G-6365-UB\*
- Gold\*  
G-6365-AU\*
- Brushed Gold\*  
G-6365-BAU\*

\* Special order finish- call for availability

Warranty

- Limited lifetime warranty

For complete warranty information go to <https://www.graff-faucets.com/en/info/faqs>



The measurements shown are for reference only. Products and specifications shown are subject to change without notice. Revised 5/2018.

[www.graff-designs.com](http://www.graff-designs.com) | phone: 800-954-4723



**G-8619**

Contemporary Handshower w/Wall Bracket



Product Features

- All-metal handshower w/swivel holder
- 59" long shower hose and wall supply elbow

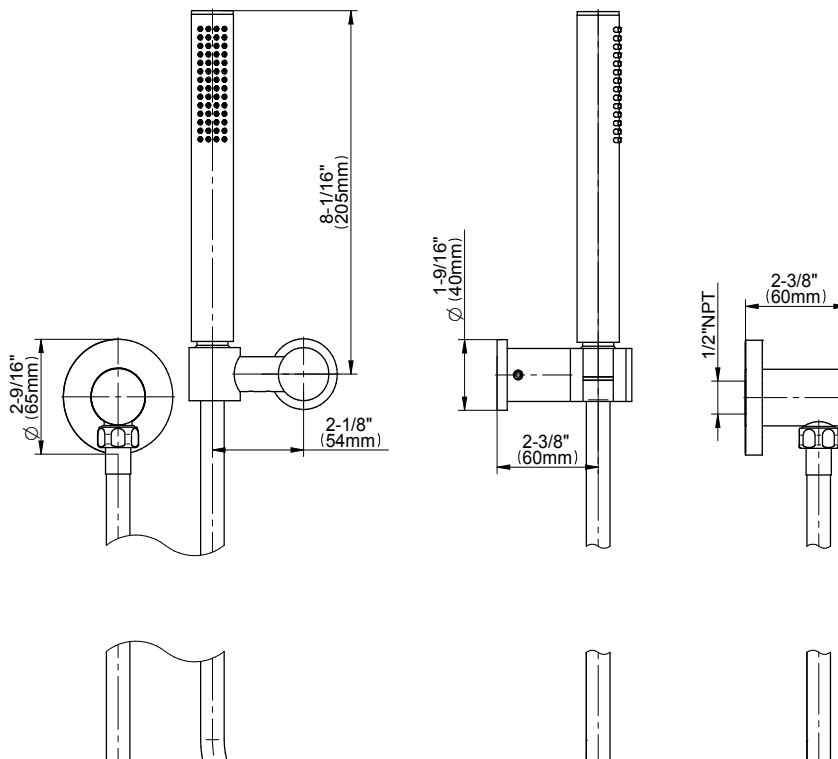
Available Finishes

- Polished Chrome  
G-8619-PC
- Brushed Nickel  
G-8619-BNi
- Steelnox®  
G-8619-SN
- Olive Bronze  
G-8619-OB
- Polished Nickel  
G-8619-PN
- Architectural Black™  
G-8619-BK
- Architectural White  
G-8619-WT

Warranty

- Limited lifetime warranty

For complete warranty information go to <http://www.graff-faucets.com/en/info/faqs>



The measurements shown are for reference only. Products and specifications shown are subject to change without notice. Revised 08/2016.

[www.graff-faucets.com](http://www.graff-faucets.com) | phone: 800-954-4723



hansgrohe

**Showerarm Standard 9"**

Finish: **chrome** Part no. : **04186003**



**Description**

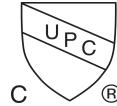
**Features**

- Length: 9"
- Brass
- Connection type: 1/2" NPT
- Showerarm, Escutcheon, Included mounting plate provides additional support

**Item details**

List Price \$ 97.00

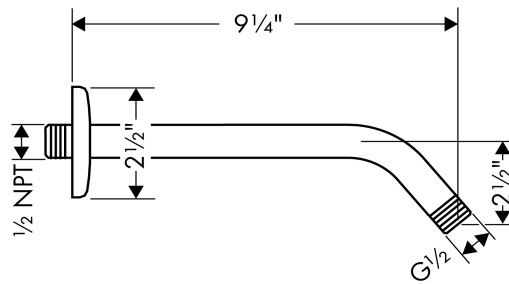
**Compliance / Sustainability**



**Product image**



**Scale drawing**



hansgrohe

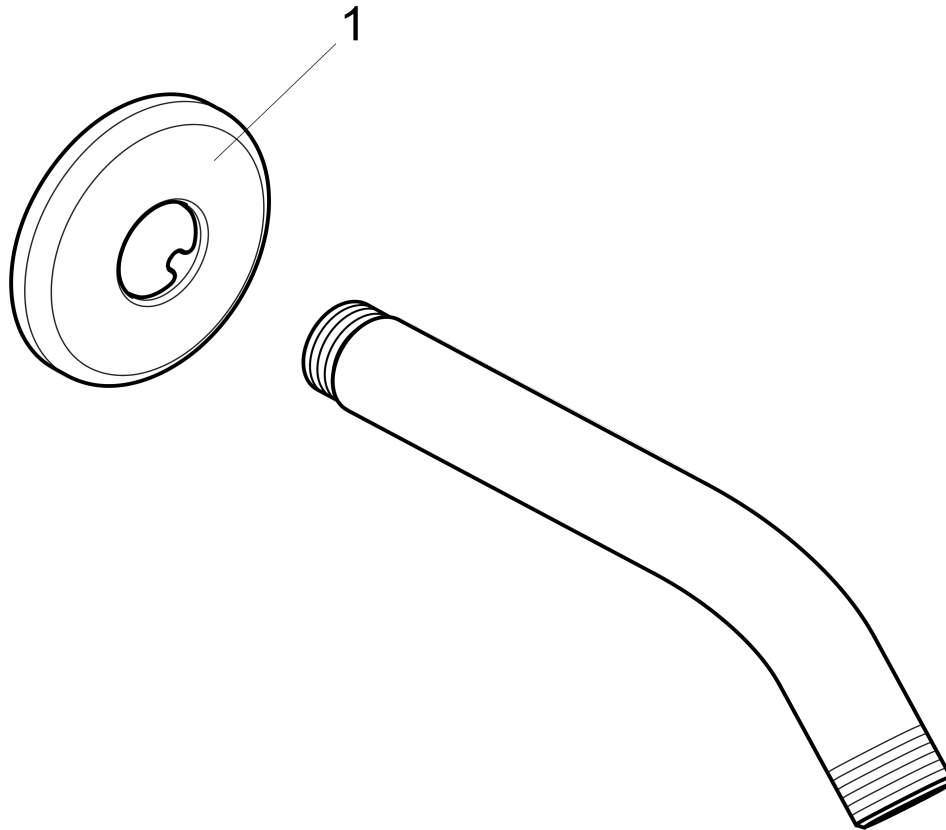
**Showerarm Standard 9"**

Finish: **chrome** Part no. : **04186003**



**Exploded drawing**

Year of production: >01/09





hansgrohe

**Showerarm Standard 9"**

Finish: **chrome** Part no. : **04186003**



**Spare parts list**

Year of production: >01/09

Pos.	Description	Part no.	Price	PU
1	escutcheon Ø 64 mm	88536000	-	1



# S-2251

# SPEAKMAN®

Icon™ Shower Head

## MODELS:

- S-2251: 2.5 GPM (9.5 L/min) flow rate
- S-2251-E2: 2.0 (7.6 L/min) flow rate
- S-2251-E175: 1.75 GPM (6.6 L/min) flow rate

## FEATURES:

- 8 plungers, 64 sprays, 3 spray patterns
- Patented Anystream® plungers resist scale build-up
- Spray adjusting handle
- Solid brass construction
- 1/2" -14 NPTF female inlet
- Corrosion resistant finishes

## STOCK FINISHES:



PC BN ORB\*\* PB\*\* PN\*\* MB\*

## SPECIALTY FINISHES:



BBZ

## OPTIONS/ADD-ONS:

- -BPT : 1/2" British pipe thread inlet

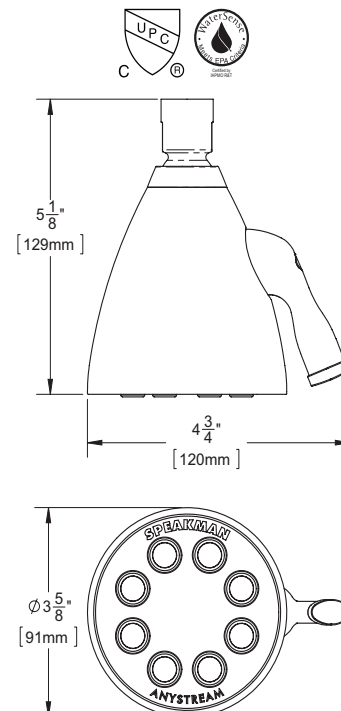
## STANDARDS:

- ASME A112.18.1/CSA B125.1 certified
- CEC (CA Energy Commission) certified, 1.75 GPM only
- WaterSense certified, 2.0 & 1.75 GPM only

## WARRANTY:

Visit [www.speakman.com](http://www.speakman.com) for full product warranty information

- Limited Lifetime Warranty (consumer)
- 1 Year Limited Warranty (commercial)



All dimensions are in inches (millimeters) unless otherwise specified and are subject to change without notice.  
\* Available for S-2251-E2 & S-2251-E175. \*\* Available for S-2251-E175

Architect/Engineer Approval Space:

P: 800-537-2107  
F: 800-977-2747  
W: WWW.SPEAKMAN.COM  
R: 03-AUGUST 2021



# KOHLER® Faucets

## Clearflo Brass toe tap bath drain K-7259

### Features

- Toe-activated closing
- Flexible overflow joint conforms to various bath angles
- Includes tee, drain ell, and overflow ell with attached 1-1/2" OD pipe
- Toe-tap actuation means no internal linkages, reducing potential clogging through the overflow
- Copper corrugated neck makes drain easy to install on any bath slope
- For use with 14" - 20" (356 - 508 mm) baths, whirlpools, and BubbleMassage™ air baths

### Material

- Solid-brass construction for durability and reliability
- KOHLER® finishes resist corrosion and tarnishing
- 17-gauge brass pipe

### Installation

- Above- or through-floor installation

### Recommended Products/Accessories

- K-23726 Drain treatment
- K-23723 Faucet cleaner



### Codes/Standards

ASME A112.18.2/CSA B125.2  
IAPMO Certification

### KOHLER® One-Year Limited Warranty

See website for detailed warranty information.

### Available Colors/Finishes

*Color tiles intended for reference only.*

Color	Code	Description
	CP	Polished Chrome
	SN	Vibrant® Polished Nickel
	AF	Vibrant® French Gold
	BN	Vibrant® Brushed Nickel
	BV	Vibrant® Brushed Bronze
	BL	Matte Black
	2MB	Vibrant® Brushed Moderne Brass
	TT	Vibrant Titanium

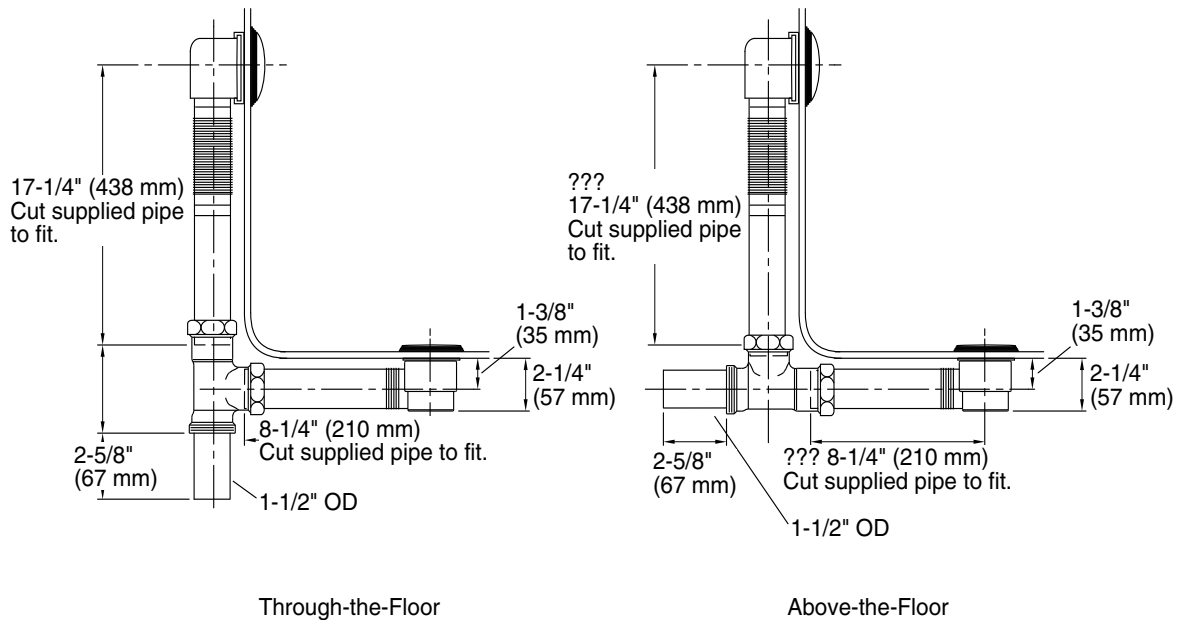
1-800-4KOHLER (1-800-456-4537)

Kohler Co. reserves the right to make revisions without notice to product specifications.  
For the most current Specification Sheet, go to [www.kohler.com](http://www.kohler.com) USA or [www.kohler.ca](http://www.kohler.ca) Canada  
8-26-2024 19:58 - US/CA

THE BOLD LOOK  
OF **KOHLER**®

# KOHLER Faucets

## Clearflo Brass toe tap bath drain K-7259



### Technical Information

All product dimensions are nominal.

Drain included: Yes

### Notes

Install this product according to the installation guide.

1-800-4KOHLER (1-800-456-4537)

Kohler Co. reserves the right to make revisions without notice to product specifications.

For the most current Specification Sheet, go to [www.kohler.com](http://www.kohler.com) USA or [www.kohler.ca](http://www.kohler.ca) Canada

8-26-2024 19:58 - US/CA

THE BOLD LOOK  
OF **KOHLER**



# KOHLER®

## Bellwether®

60" x 30-1/4" alcove bath, right drain  
K-838

### Features

- Clean lines and streamlined style add contemporary appeal to any bathroom
- 14" apron height for easy entry and exit
- Standard size simplifies remodeling
- Integral flange helps prevent water from seeping behind wall and simplifies alcove installation
- Safeguard® slip-resistant surface provides excellent traction underfoot
- Wide ledges for extra storage space
- Right drain
- Integral apron
- Integral lumbar support

### Material

- KOHLER® enameled cast iron

### Installation

- Alcove
- Alcove

### Recommended Products/Accessories

- K-7213 27" Cable Bath Drain
- K-7214 27" Cable Bath Drain
- K-706000-D3 Frameless Sliding Bath Door
- K-706000-L 62" H sliding bath door with 1/4"-thick glass
- K-706004-D3 Frameless Sliding Bath Door
- K-706004-L Frameless Sliding Bath Door
- K-23726 Drain treatment
- K-23725 Cast iron cleaner
- K-31796 Above-the-floor bath drain kit
- K-31798 Bath drain kit



ADA

### Codes/Standards






- ASME A112.19.1/CSA B45.2
- ASTM F462
- ADA
- ICC/ANSI A117.1
- IAPMO Certification

### KOHLER® Enameled Cast Iron Bath and Shower Base Lifetime Limited Warranty

See website for detailed warranty information.

### Available Colors/Finishes

*Color tiles intended for reference only.*

Color	Code	Description
	0	White
	96	Biscuit
	17	Teal
	34	Fresh Green
	42	Aspen Green

1-800-4KOHLER (1-800-456-4537)

Kohler Co. reserves the right to make revisions without notice to product specifications.

For the most current Specification Sheet, go to [www.kohler.com](http://www.kohler.com) USA or [www.kohler.ca](http://www.kohler.ca) Canada

8-7-2024 21:44 - US/CA

THE BOLD LOOK  
OF **KOHLER®**

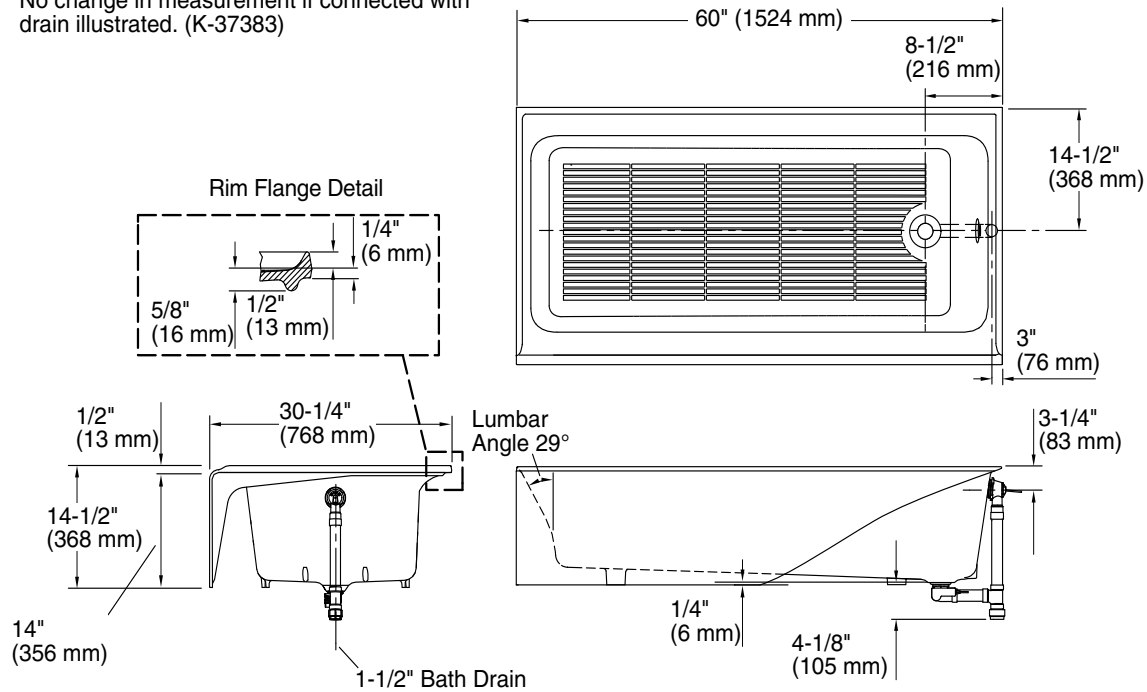


**KOHLER**

**Bellwether®**

60" x 30-1/4" alcove bath, right drain  
**K-838**

No change in measurement if connected with drain illustrated. (K-37383)



**Technical Information**

All product dimensions are nominal.

- Drain location: Right
- Basin area, bottom: 48-3/4" x 19-5/16" (1238 mm x 491 mm)
- Basin area, top: 54-11/16" x 21-3/16" (1389 mm x 538 mm)
- Weight: 310 lbs (140.6 kg)
- Minimum floor load: 52 lbs/ft<sup>2</sup> (253.9 kg/m<sup>2</sup>)
- Water depth: 9" (229 mm)
- Water capacity: 32.6 gal (123.4 L)
- Minimum flat for door: 2-5/8" (66 mm)

**Notes**

- Measure your actual product for rough-in details.
- Install this product according to the installation instructions.
- The hot water supply should be 70% of the capacity of the bath or greater. Installations will vary.
- ADA compliant when installed to the specific requirements of these regulations.

1-800-4KOHLER (1-800-456-4537)

Kohler Co. reserves the right to make revisions without notice to product specifications. For the most current Specification Sheet, go to [www.kohler.com](http://www.kohler.com) USA or [www.kohler.ca](http://www.kohler.ca) Canada  
8-7-2024 21:44 - US/CA

THE BOLD LOOK OF **KOHLER**

VENDOR	DESCRIPTION	PAGE
Fantini	Mint Single Control Washbasin Mixer - Chrome	80
Duravit	L-Cube Two Drawer Wall Mount Vanity Unit - White High Gloss	82
Duravit	Space Saving Siphon - White	87
Duravit	Vero Air Wall Mount Sink - White	89
Duravit	ME By Starck Wall Mounted Toilet - White	92
Duravit	ME By Starck Toilet Seat - White	94
Geberit North America	Duofix Element For Wall-hung Water Closet, 120 Cm, With Sigma Concealed Cistern 8 Cm, For Wood Frame Wall	96
Geberit North America	Actuator Plate Sigma30 For Dual Flush - Bright Chrome / Matt Chrome	100
Graff	Sade Square M Series Valve Trim With Three Handles - Polished Chrome	102
Graff	M Series Thermostatic Rough Valve	104
Graff	M Series Stop / Volume Control Rough	106

<b>Fantini</b>	<b>Mint Wall Mount Handshower Set - Chrome</b>	<b>108</b>
<b>Graff</b>	<b>Contemporary 5" Shower Arm - Polished Chrome</b>	<b>110</b>
<b>Speakman</b>	<b>Icon Shower Head - Polished Chrome</b>	<b>112</b>



Mint Single Control Washbasin Mixer - Chrome  
**Qty:** 1



L-Cube Two Drawer Wall Mount Vanity Unit - White High Gloss  
**Qty:** 1



Space Saving Siphon - White  
**Qty:** 1



Vero Air Wall Mount Sink - White  
**Qty:** 1



ME By Starck Wall Mounted Toilet - White  
**Qty:** 1



ME By Starck Toilet Seat - White  
**Qty:** 1



Duofix Element For Wall-hung Water Closet, 120 Cm, With  
Sigma Concealed Cistern 8 Cm, For Wood Frame Wall  
**Qty:** 1



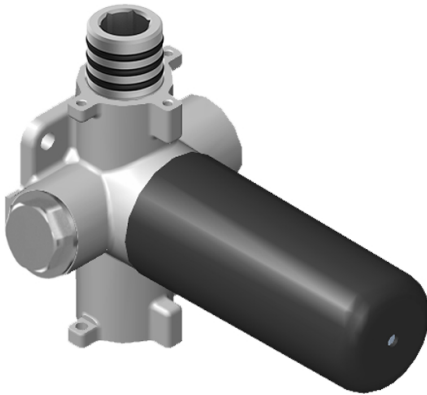
Actuator Plate Sigma30 For Dual Flush - Bright Chrome /  
Matt Chrome  
**Qty:** 1



Sade Square M Series Valve Trim With Three Handles - Polished Chrome  
**Qty: 1**



M Series Thermostatic Rough Valve  
**Qty: 1**



M Series Stop / Volume Control Rough  
**Qty: 2**



Mint Wall Mount Handshower Set - Chrome  
**Qty: 1**



Contemporary 5" Shower Arm - Polished Chrome  
**Qty:** 1



Icon Shower Head - Polished Chrome  
**Qty:** 1





Single-control washbasin mixer - MINT

**Art. F004WU**

**Single-control washbasin mixer**

- 5" spout projection
- Adjustable aerator
- Flexible supply lines
- Handle included
- Water flow restricted to 1.2 GPM

Drain to be ordered separately:  
please select #9865U or #9867U

Finishes:

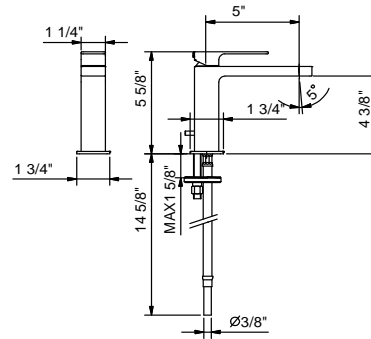
- Black Metal** 34 N1 F004WU
- Chrome** 34 02 F004WU

**Project:**

**Room:**

**Date:**

**Comments:**



**Certifications/Awards:**





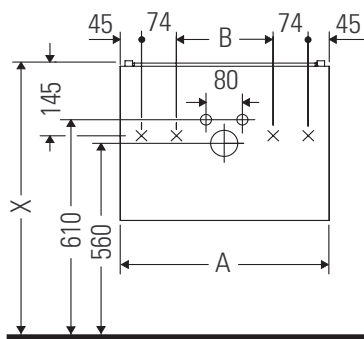
Leben im Bad  
Living bathrooms



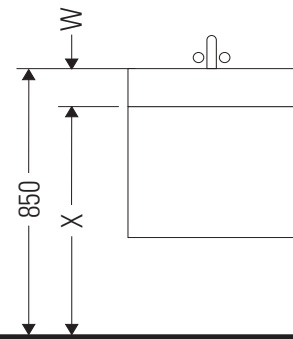
# L-Cube

# # LC 6274

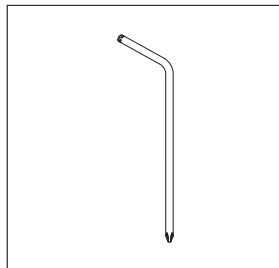
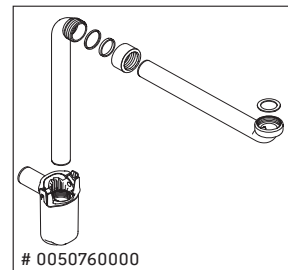
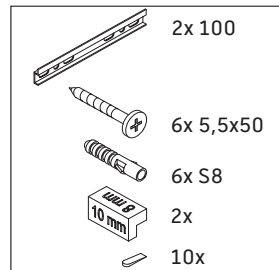
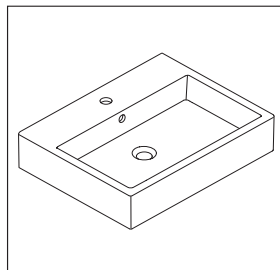
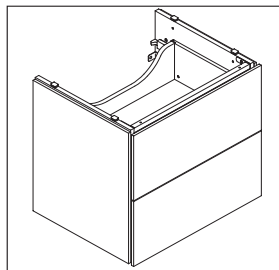
## Montageanleitung



A mm	B mm	W mm	X mm
484	246	135	715



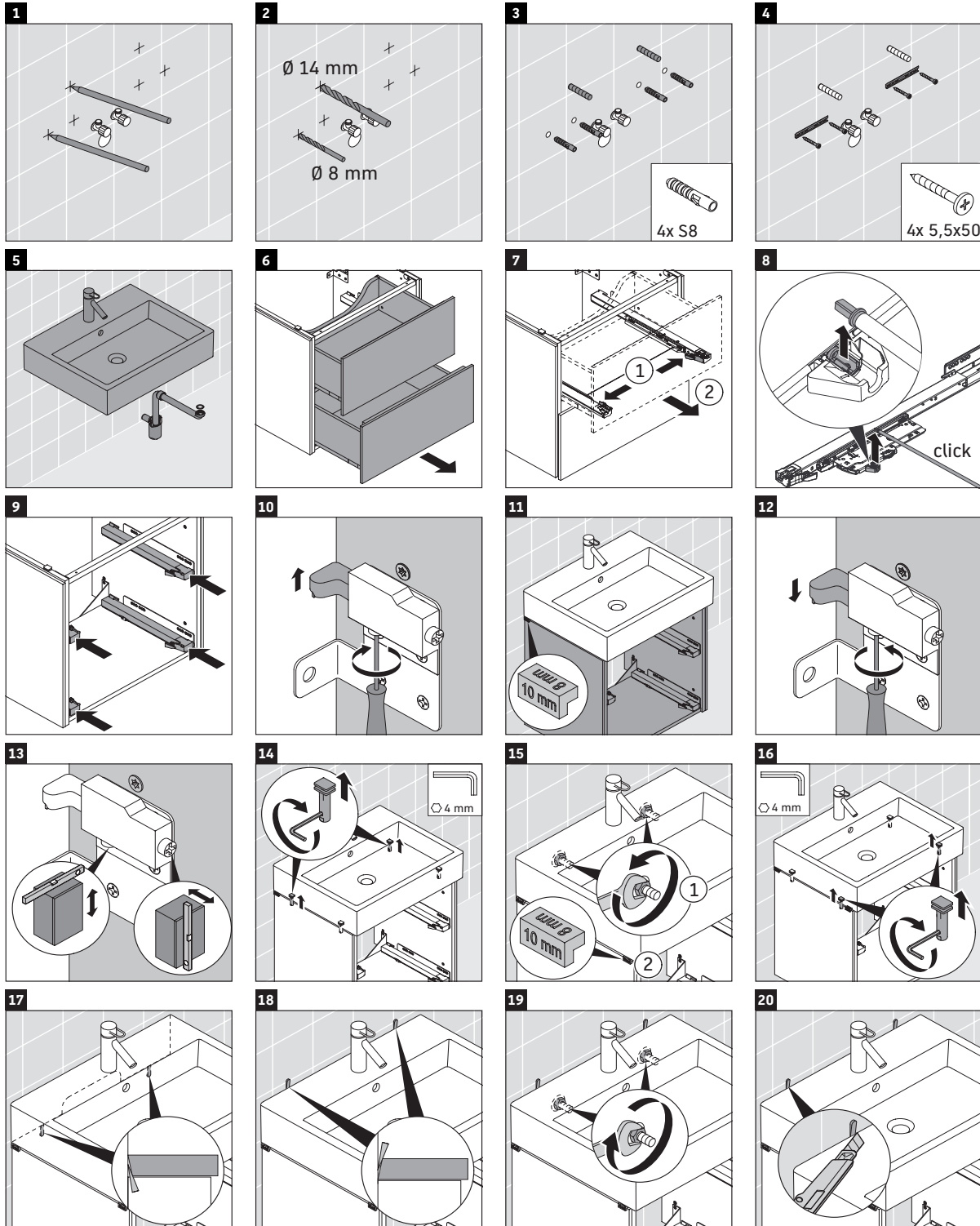
**Vero Air # 235050**



### Verwendungshinweise

Die Badmöbelserie entspricht den gültigen Normen und Richtlinien zum Zeitpunkt der Auslieferung und ist für den Einsatz in Bädern konzipiert. Eine direkte Benetzung mit Wasser z. B. beim Duschen ist zu vermeiden.

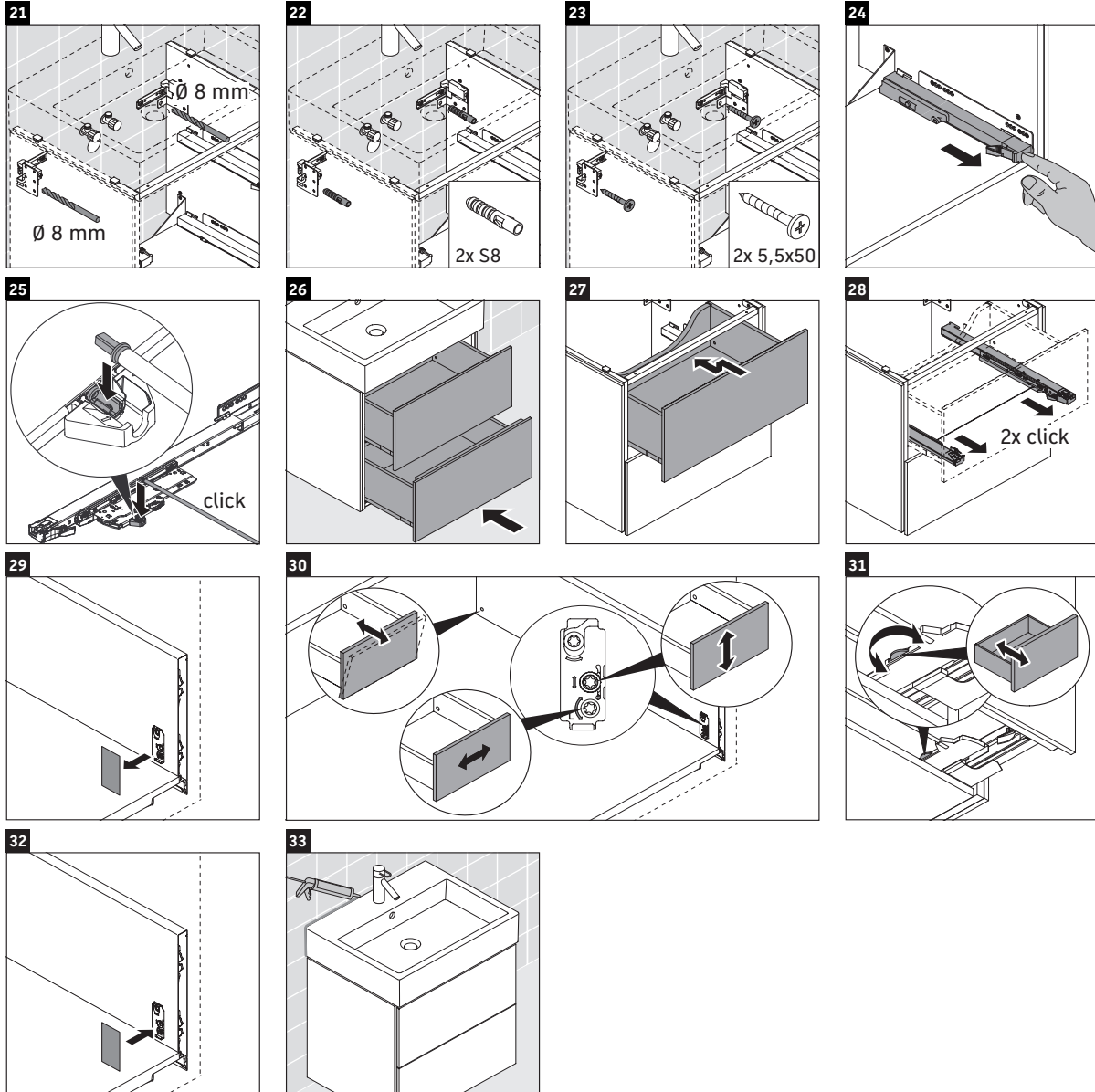
Technische Verbesserungen und optische Veränderungen an den abgebildeten Produkten behalten wir uns vor.



Best.-Nr. LC6274/1703.1

Duravit AG, Werderstr. 36, 78132 Hornberg, Germany, Phone +49 78 33 700, Fax +49 78 33 70 289, info@duravit.de, www.duravit.de

MAL\_L-Cube\_LC6274/1703.1



Best.-Nr. LC6274/1703.1

Duravit AG, Werderstr. 36, 78132 Hornberg, Germany, Phone +49 78 33 700, Fax +49 78 33 70 289, info@duravit.de, www.duravit.de

MAL\_L-Cube\_LC6274/1703.1

**Duravit AG**  
P.O. Box 240  
Werderstr. 36  
78132 Hornberg  
Germany  
Phone +49 78 33 70 0  
Fax +49 78 33 70 289  
info@duravit.com  
www.duravit.com

---

Best.-Nr. LC6274/1703.1

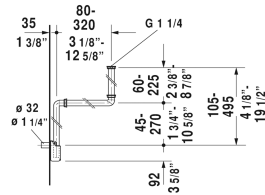
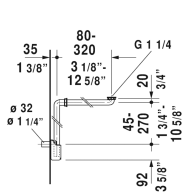






Accessories Space-saving siphon # 005076

|< 1 1/4" Inch >|



Space-saving siphon	Dimension	Weight	Order number
Colors			
Variant			
Infobox			
For vanity units the space-saving siphon is recommended			

All drawings contain the necessary measurements which are subject to standard tolerances. They are stated in inch & mm and are non-binding. Exact measurements, in particular for customized installation scenarios, can only be taken from the finished ceramic piece.

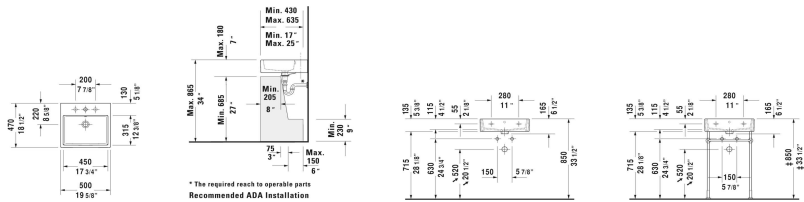






Vero Air Furniture washbasin & # 2350500000 / 2350500030 / 2350500060

< 19 5/8" Inch >



Furniture washbasin	Dimension	Weight	Order number
with faucet deck, underside fully glazed, hardware included, wall-mounted, cUPC® listed*, 19 5/8" Inch			
<b>Colors</b>			
00 White			
<b>Variant</b>			
● with overflow	19 5/8" x 18 1/2" Inch	32 lb	2350500000
●●● with overflow	19 5/8" x 18 1/2" Inch	32 lb	2350500030
☒ with overflow	19 5/8" x 18 1/2" Inch	32 lb	2350500060
<b>Infobox</b>			
* Complies with following standards: ASME A112.19.2/CSA B45.1, Washbasin is not ADA compliant in combination with pedestal, siphon cover or metal console			
Sanitary ceramics with the special WonderGliss surface finish will remain clean and attractive-looking for a long time to come. When ordering WonderGliss please add a "1" as eleventh digit to the model number.			
<b>Accessory for ceramics</b>			
Push button drain assembly for washbasins with overflow	2" Inch	0.8 lb	005052
Towel rail square tube 1/2", Chrome, for washbasin # 045450, 235050, 235350	17 3/4" Inch	1.1 lb	003029
Design Siphon		3.3 lb	005036
<b>Suitable products</b>			
Metal console height adjustable +2", for washbasin # 045450, 235050,			003065
Vanity unit wall-mounted 1 opened compartment including towel rail, for Vero Air # 235050, 19 1/8" x 16 7/8" Inch	19 1/8" x 16 7/8" Inch		VA6024



Vero Air Furniture washbasin & # 2350500000 / 2350500030 / 2350500060

|< 19 5/8" Inch >|

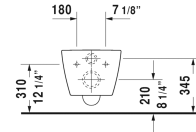
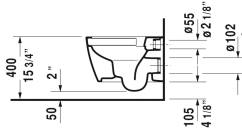
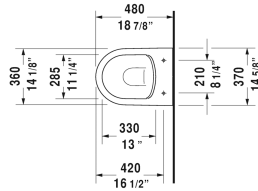
Vanity unit wall-mounted 1 pull-out compartment, pull-out compartment including cut-out for siphon and siphon cover, for Vero Air # 235050, 19 1/8" x 16 7/8" Inch	19 1/8" x 16 7/8" Inch	VA6124
Vanity unit wall-mounted 2 drawers, upper drawer including cut-out for siphon and siphon cover, for Vero Air # 235050, 19 1/8" x 16 7/8" Inch	19 1/8" x 16 7/8" Inch	VA6284
Vanity unit wall-mounted 1 drawer, 1 pull-out compartment, upper drawer including cut-out for siphon and siphon cover, for Vero Air # 235050, 19 1/8" x 16 7/8" Inch	19 1/8" x 16 7/8" Inch	VA6504
Vanity unit floorstanding 2 drawers, 1 pull-out compartment, upper drawer including cut-out for siphon and siphon cover, for Vero Air # 235050, 19 1/8" x 16 7/8" Inch	19 1/8" x 16 7/8" Inch	VA6584
Vanity unit wall-mounted 1 pull-out compartment, for Vero Air # 235050, 19 1/8" x 18 1/8" Inch	19 1/8" x 18 1/8" Inch	LC6174
Vanity unit wall-mounted 2 drawers, for Vero Air # 235050, 19 1/8" x 18 1/8" Inch	19 1/8" x 18 1/8" Inch	LC6274
Vanity unit floorstanding 2 pull-out compartments, for Vero Air # 235050, 19 1/8" x 18 1/8" Inch	19 1/8" x 18 1/8" Inch	LC6774
Vanity unit wall-mounted 1 pull-out compartment, for Vero Air # 235050, 19 1/8" x 18 1/8" Inch	19 1/8" x 18 1/8" Inch	BR4052
Vanity unit wall-mounted 2 drawers, upper drawer including cut-out for siphon and siphon cover, for Vero Air # 235050, 19 1/8" x 18 1/8" Inch	19 1/8" x 18 1/8" Inch	BR4152
Vanity unit floorstanding 2 pull-out compartments, for Vero Air # 235050, 19 1/8" x 18 1/8" Inch	19 1/8" x 18 1/8" Inch	BR4432
Vanity unit wall-mounted 1 pull-out compartment, for Vero Air # 235050, 19 1/8" x 18 1/8" Inch	19 1/8" x 18 1/8" Inch	XS4092
Vanity unit wall-mounted 2 drawers, upper drawer including cut-out for siphon and siphon cover, for Vero Air # 235050, 19 1/8" x 18 1/8" Inch	19 1/8" x 18 1/8" Inch	XS4192
Vanity unit floorstanding 2 pull-out compartments, integrated legs with height adjustment, for Vero Air # 235050, 19 1/8" x 18 1/8" Inch	19 1/8" x 18 1/8" Inch	XS4472
Vanity unit wall-mounted 1 pull-out compartment, for Vero Air # 235050, 19 1/8" x 17 7/8" Inch	19 1/8" x 17 7/8" Inch	XV4233
Vanity unit wall-mounted 2 drawers, upper drawer including cut-out for siphon and siphon cover, for Vero Air # 235050, 19 1/8" x 17 7/8" Inch	19 1/8" x 17 7/8" Inch	XV4333
Vanity unit floorstanding 2 pull-out compartments, for Vero Air # 235050, 19 1/8" x 17 7/8" Inch	19 1/8" x 17 7/8" Inch	XV4533

All drawings contain the necessary measurements which are subject to standard tolerances. They are stated in inch & mm and are non-binding. Exact measurements, in particular for customized installation scenarios, can only be taken from the finished ceramic piece.





**Toilet wall-mounted Compact Duravit Rimless® # 253009..00** | < 14 5/8" Inch >|



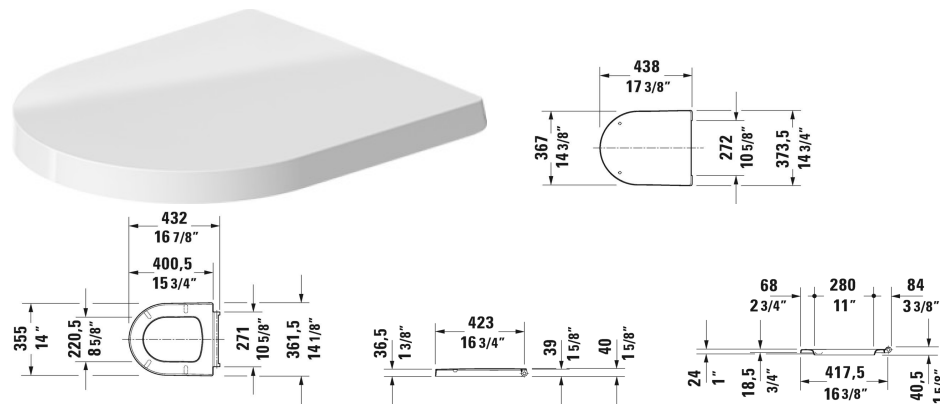
Toilet wall-mounted Compact Duravit Rimless®	Dimension	Weight	Order number
rimless, washdown model, Durafix included, cUPC listed			
<b>Colors</b>			
00 White 20 HygieneGlaze (an antibacterial ceramic glaze that provides almost indefinite effectiveness)			
<b>Variant</b>			
◆ cUPC listed, rimless, 1.2 gal, washdown model	14 5/8" x 18 7/8" Inch	52 lb	253009..00
Sanitary ceramics with the special WonderGliss surface finish will remain clean and attractive-looking for a long time to come. When ordering WonderGliss please add a "1" as eleventh digit to the model number.			
Fixing for wall-mounted bidet and wall-mounted toilet	Ø 1/2" x 7 1/8" Inch	0.4 lb	006500
Noise reduction gasket for wall-mounted toilet		0.7 lb	005064
Geberit in-wall tank and carrier width 19 3/4", depth 5 1/2" height (adjustable) 43" - 47"	19 3/4" x 5 1/2" Inch	38 lb	111335
Dual Flush Actuator Sigma 01 white	9 5/8" x 6 1/2" Inch		115770

All drawings contain the necessary measurements which are subject to standard tolerances. They are stated in inch & mm and are non-binding. Exact measurements, in particular for customized installation scenarios, can only be taken from the finished ceramic piece.





ME by Starck Toilet seat and cover # 002019..00 / 002019..00



Toilet seat and cover	Dimension	Weight	Order number
removable, hinges stainless steel, with slow close			
<b>Colors</b>			
00 White 26 White/White Satin Matte			
<b>Variant</b>			
inside color White, outside color White		4.4 lb	002019..00
inside color White, outside color White Satin Matte		4.4 lb	002019..00

All drawings contain the necessary measurements which are subject to standard tolerances. They are stated in inch & mm and are non-binding. Exact measurements, in particular for customized installation scenarios, can only be taken from the finished ceramic piece.







# GEBERIT INSTALLATION SYSTEM

For 1.6/0.8 GPF (6/3 LPF) and 1.28/0.8 GPF (4.8/3 LPF) Wall-Hung Toilets, 2x4 Installations

### PRODUCT SPECIFICATIONS

In-Wall Duofix carrier system and Sigma concealed tank with actuator flush panel or pneumatic push button for washdown wall-hung toilets. System shall fit within minimum 3½" (90 mm) framing wall or plumbing chase, with wood construction or steel framing members placed 19¼" (500 mm) apart. Framing members should be capable of supporting a 880 pound (400 kg) load without damage to the wall. Water supply shall have flow diameter no smaller than 1/2" (13 mm) copper tube, and a minimum flow pressure of 2 PSI (0.01 MPa). The toilet bowl shall be a third party listed, 2-hole wall-hung 1.6 GPF (6 LPF) or 1.28 GPF (4.8 LPF) single-flush, 1.6/0.8 GPF (6/3 LPF) or 1.28/0.8 GPF (4.8/3 LPF) dual-flush. The carrier frame shall be adjustable for bowl rim heights from 15" to 19" (381 to 483 mm). Actuator flush panels shall be diecast zinc, molded plastic or fabricated stainless steel and plated to preserve material integrity. All components shall be compliant with applicable codes and product standards.

### FEATURES

- Water consumption – Dual-flush system, 1.6/0.8 GPF (6/3 LPF) or 1.28/0.8 GPF (4.8/3 LPF)
- Anti-siphon fill valve
- Impact resistant high density polyethylene (HDPE) tank, insulated to prevent condensation
- 16-gauge, powder-coated, structural-steel tubing rated to 880 lbs. (400 kg) without damage to finished wall or carrier unit
- Bowl rim height adjustments from 15" to 19" (381 to 483 mm)
- 49" (1245 mm) frame height
- For finished walls up to 3½" (9cm) thick
- For use with Geberit Sigma actuator plates (not included)
- Includes installation and rough-in materials

Complies with the latest editions of:

- ASME: A112.6.2, A112.19.5, A112.19.14
- ANSI Z124.4
- CSA B125.3
- ANSI/ASSE 1002
- IAPMO PS-50
- UNAR / UNAR-HET
- ASME A112.19.2
- This concealed tank is WaterSense® listed or compliant when used in combination with the toilet bowl models listed on page 3 of this sheet
- State of Massachusetts listed

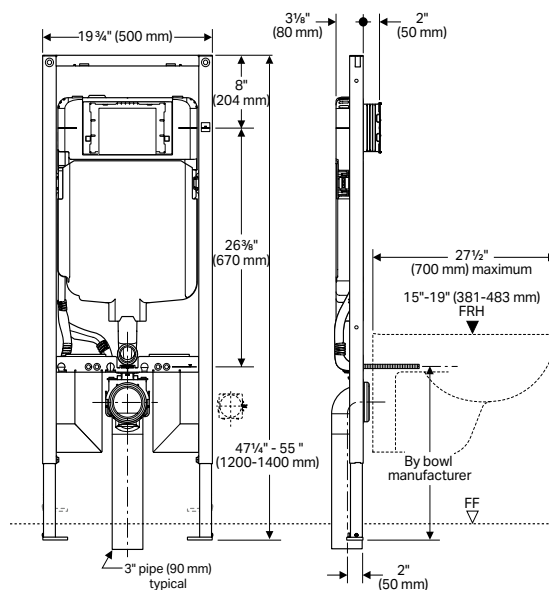
### WARRANTY

- Limited lifetime warranty on tank and carrier, 10-year warranty on fill valve and flush valve. One-year warranty on actuator flush plates.

Products marked with comply with the American Disabilities Act (ADA) when installed per the requirements of the latest ADA Accessibility Guidelines (ADAAG) and/or ICC/ANSI A117.1.

Where water closet grab bars are required and corresponding reinforcement provided as outlined in the latest NYC Building Code and Federal FHA Guidelines, the installed product complies both for grab bars installed at the time of initial construction as well as for grab bars planned for future installation.

Model No.	Description	
111.798.00.1	Carrier frame with 1.60/0.8 GPF Sigma Concealed Tank	
111.597.00.1	Carrier frame with 1.28/0.8 GPF Sigma Concealed Tank	



### ARCHITECT/ENGINEER APPROVAL

Job Name: \_\_\_\_\_

Date: \_\_\_\_\_ Quantity: \_\_\_\_\_

Model Specified: \_\_\_\_\_

Variations Specified: \_\_\_\_\_

Customer/Wholesaler: \_\_\_\_\_

Contractor: \_\_\_\_\_

Architect: \_\_\_\_\_



## GEBERIT INSTALLATION SYSTEM

For 1.6/0.8 GPF (6/3 LPF) and 1.28/0.8 GPF (4.8/3 LPF) Wall-Hung Toilets, 2x4 Installations

### COMPATIBLE 1.28/0.8 GPF (4.8/3 LPF) WALL-HUNG TOILET BOWL MODELS



Brand Name	Model Number*	Model Name
Duravit	252909***	ME by Starck
	252959	ME by Starck
	253009	ME by Starck
	251109	Viu
	251159	Viu
TOTO	CT426CFG#01	AP
	CT426CFG40#01	AP
	CT428CFG#01**	EP
	CT428CFG40#01**	EP
	CT437FG#01**	MH
	CT437FGT20#01**	MH
	CT447CFG#01	RP
	CT447CFG60#01	RP
	CT449CFG#01	SP
	CT449CFG60#01	SP

### WATERSENSE LISTED EPA HIGH EFFICIENCY COMPATIBLE 1.28/0.8 GPF (4.8/3 LPF) WALL-HUNG TOILET BOWL MODELS



Brand Name	Model Number*	Model Name
Duravit	252909***†	ME by Starck
	252959†	ME by Starck
	253009†	ME by Starck
	251109†	Viu
	251159†	Viu
TOTO	CT426CFG#01†	AP
	CT426CFG40#01†	AP
	CT428CFG#01**	EP
	CT428CFG40#01**	EP
	CT437FG#01**	MH
	CT437FGT20#01**	MH
	CT447CFG#01	RP
	CT447CFG60#01	RP
	CT449CFG#01†	SP
	CT449CFG60#01†	SP

† Pending WaterSense certification as of October 2020.



## GEBERIT INSTALLATION SYSTEM

For 1.6/0.8 GPF (6/3 LPF) and 1.28/0.8 GPF (4.8/3 LPF) Wall-Hung Toilets, 2x4 Installations

### COMPATIBLE 1.6/0.8 GPF (6/3 LPF) WALL-HUNG TOILET BOWL MODELS



Brand Name	Model Number*	Model Name
Blu Bathworks	LW6008	Coco
	LW6030A	Coco
	LW6020A	Metrix
Devon & Devon	WCSBLU	Blues
	WCSNET	Etoile
	WCSSET	New Etoile
	WCSRO	Rose
Duravit	253509	D-Code
	254409	Darling New
	254459	Darling New
	254509	Darling New
	256309	Darling New
	256359	Darling New
	253609	DuraStyle
	253709	DuraStyle
	253759	DuraStyle
	253809	DuraStyle
	253909	DuraStyle
	254209	DuraStyle
	254259	DuraStyle
	255109	DuraStyle
	257109	DuraStyle
	256209	DuraStyle Basic
	222209	Happy D.2

Brand Name	Model Number*	Model Name
Duravit	255009	Happy D.2
	255059	Happy D.2
	256109	P3 Comforts
	256159	P3 Comforts
	253309	Starck 2
	253359	Starck 2
	253409	Starck 2
	222509	Starck 3
	222609	Starck 3
	222659	Starck 3
Icera	C-6610	Clarity
	C-2370	Piano
	P70360-00-0	Pleó
Kallista	P70360-00-0	Pleó
	K-6299	Veil
Kohler	K-6299	Veil
	K-6300	Veil
Lacava	5051WC	Giulia
	5051WC-MB	Navi
	6058.1	Suave

Brand Name	Model Number*	Model Name
Laufen	820338**	Kartell
	820339	Kartell
	820978**	IlBagnoAlessi One
	820950	Laufen Pro
	820968	Laufen Pro
	820969	Laufen Pro
	820963**	Laufen Pro S
	820708	Palace
Neo-Metro	8951-W-1	Euro-Urban
	8957	Metaal
	8952	miniLOO
Villeroy & Boch	4688 UR XX	Architectura
	5864 U1 XX	Architectura
	5627 U1 XX	La Belle
	5628 U1 XX	Memento
	6661 U0 XX	Strada
	4609 UR XX	Subway
	5600 U0 XX	Subway
5614 UR XX	Subway	

### WATERSENSE LISTED EPA HIGH EFFICIENCY COMPATIBLE 1.6/0.8 GPF (6/3 LPF) WALL-HUNG TOILET BOWL MODELS



Brand Name	Model Number*	Model Name
Duravit	222509	Starck 3
	222609	Starck 3
Kohler	K-6299	Veil
	K-6300	Veil
Laufen	820338**	Kartell
	820339	Kartell
	820978**	IlBagnoAlessi One
	820950	Laufen Pro
	820968	Laufen Pro
	820969	Laufen Pro
	820963**	Laufen Pro S
	820708	Palace
	820808	Palomba
	820288	Val

\* Consult toilet manufacturers for up-to-date model numbers and availability.

\*\* Meets 600 grams MaP performance score.

\*\*\* Meets 800 grams MaP performance score.

Geberit  
2100 S. Clearwater Drive  
Des Plaines, IL 60018  
USA

P 847-803-7777  
F 847-849-1845

[www.geberit.us](http://www.geberit.us)

© 2020 Geberit. Product specifications subject to change without notice.

GNA7225 10/20





## GEBERIT SIGMA30 ACTUATORS

### For Sigma Concealed Tanks, 2x6 and 2x4 Installations

#### SPECIFICATIONS

Actuators for concealed tank and carrier system. Actuator flush plates and push buttons shall be zinc die-cast, molded plastic and plated to guard against scratches. All components shall be compliant with applicable codes and product standards.

#### FEATURES

- Designed to maintain appearance push after push
- Moving parts are accessible behind actuator flush plate
- Made of molded plastic, zinc die cast and plated
- Available in a variety of unique combinations of finish/color
- Incorporates water saving possibilities when used with Geberit dual-flush tanks 1.6 GPF (6 LPF) and 0.8 GPF (3 LPF) or 1.28 GPF (4.8 LPF) and 0.8 GPF (3 LPF) or 1.28 GPF (4.8LPF) when used with Geberit single-flush tank
- Includes mounting frame and hardware

#### WARRANTY

- One-year limited warranty

#### Dual-Flush Actuators, Sigma 2x6 and 2x4 Installation

Style	Material	Finish	Model No.
Sigma30	Plastic	White Matte Coated-Coated-White <b>NEW!</b>	115.883.01.1
		White-Matte White <b>NEW!</b>	115.883.11.1
		Matte Black-Polished	115.883.14.1
		Chrome-Matte Black***	
		Black Matte Coated-Black <b>NEW!</b>	115.883.16.1
		Black-Matte Black <b>NEW!</b>	115.883.DW.1
		Matte Chrome-Polished	115.883.JQ.1
		Chrome-Matte Chrome***	
		Matte White-Polished	115.883.JT.1
		Chrome-Matte White***	
		Polished Chrome-Matte	115.883.KH.1
		Chrome-Polished Chrome***	
		White-Polished Chrome-White***	115.883.KJ.1
		White-Polished Gold-White***	115.883.KK.1
		Black-Polished Chrome-Black***	115.883.KM.1

#### Single-Flush Actuators, Sigma 2x6 and 2x4 Installation

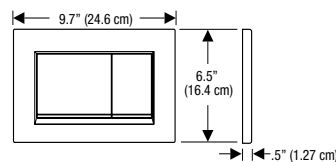
Style	Material	Finish	Model No.
Sigma30 <sup>†</sup>	Zinc	Matte Black-Polished	115.893.14.1
		Chrome-Matte Black***	
		Matte White-Polished	115.893.JT.1
		Chrome-Matte White***	
		Polished Gold***	115.893.45.1
		White-Polished Chrome-White***	115.893.KJ.1
		Brushed Chrome-Polished Chrome-Brushed Chrome***	115.893.KX.1
		Polished Chrome-Brushed Chrome-Polished Chrome***	115.893.KY.1

\*\*\* Finishes follow this pattern = Plate-Trim-Button

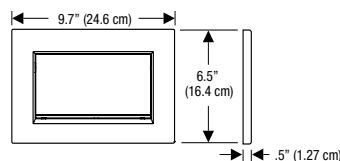
† Intended for sales and use in California with 1.28 gpf (4.8 lpf) system only

#### DIMENSIONS

##### Sigma30 Dual-Flush



##### Sigma30 Single-Flush



#### ARCHITECT/ENGINEER APPROVAL

Job Name: \_\_\_\_\_

Date: \_\_\_\_\_ Quantity: \_\_\_\_\_

Model Specified: \_\_\_\_\_

Variations Specified: \_\_\_\_\_

Customer/Wholesaler: \_\_\_\_\_

Contractor: \_\_\_\_\_

Architect: \_\_\_\_\_

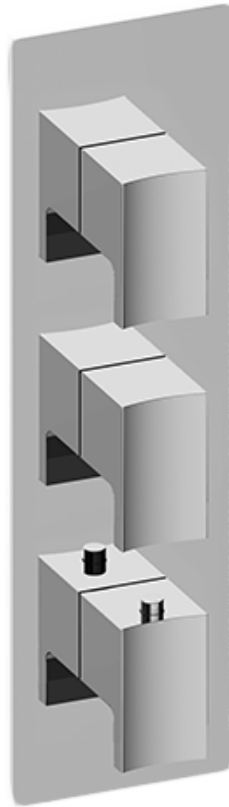


Geberit  
2100 S. Clearwater Drive  
Des Plaines, IL 60018  
USA

P 847-803-7777  
F 847-849-1845

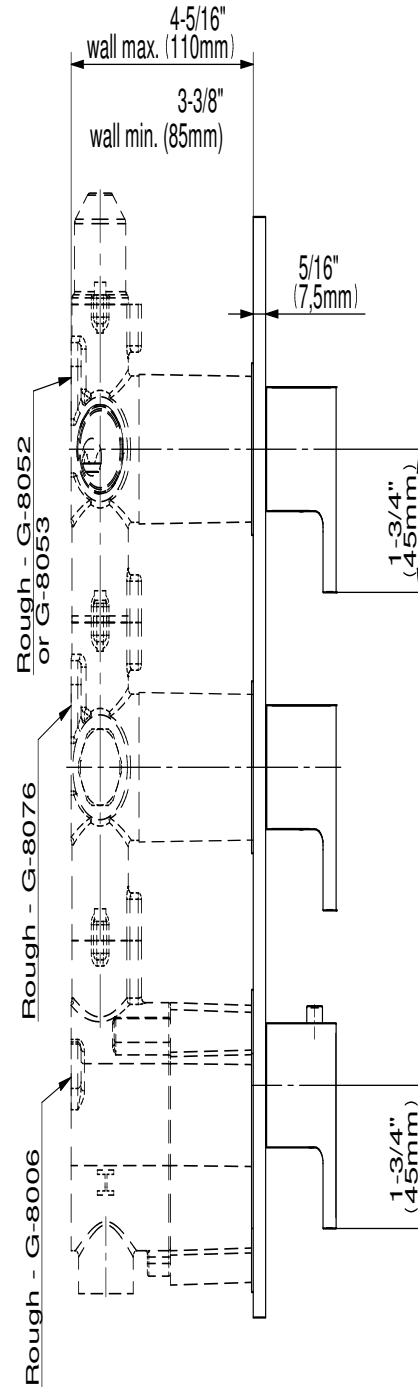
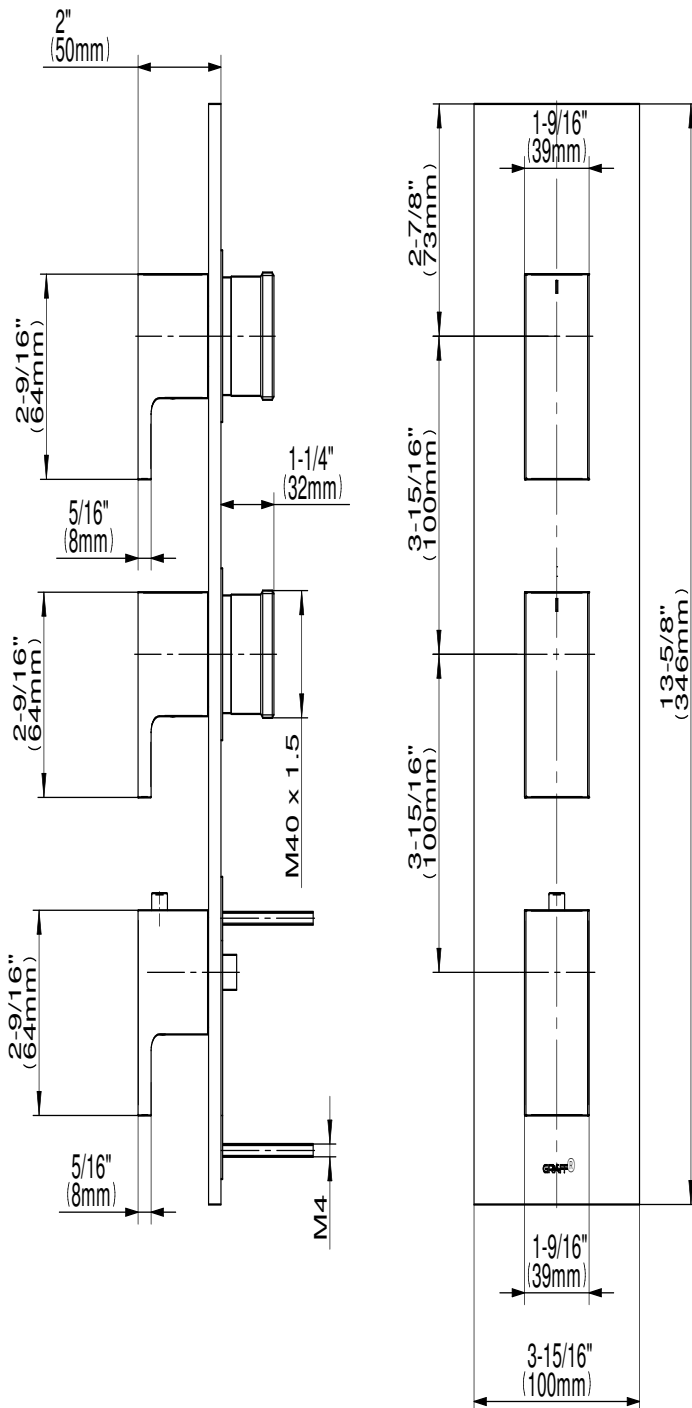
www.geberit.us

Products marked with comply with the American Disabilities Act (ADA) when installed per the requirements of the latest ADA Accessibility Guidelines (ADAAG) and/or ICC/ANSI A117.1.

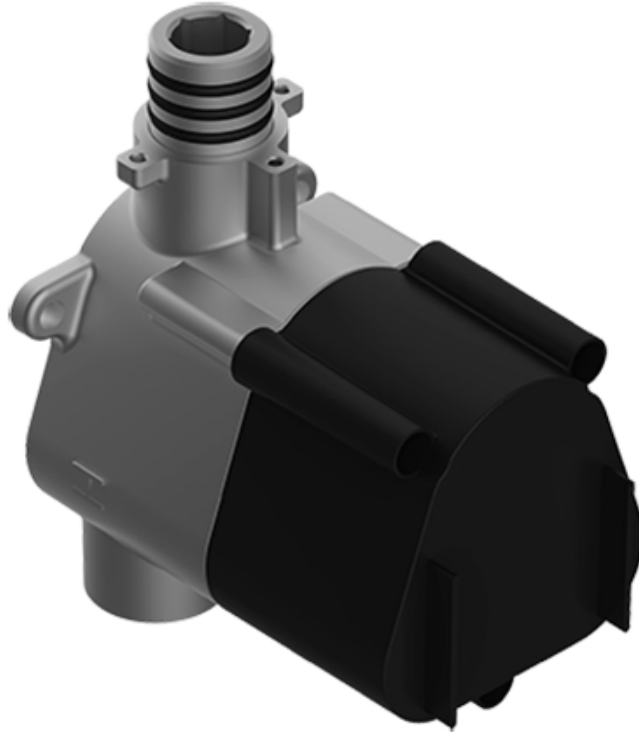


# G-8057-LM36E0-T

## Targa Series

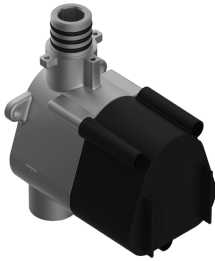


**GRAFF®**  
CUTTING EDGE DESIGN





**G-8006**  
M-Series  
3/4" Concealed Thermostatic Rough Valve



**Product Features**

- 12.9 gpm @ 60 psi
- 3/4" universal inlets
- Built-in service stops
- Stacking outlet feature
- Complete serviceability from front of all units
- Supplied with protective plastic cover
- CalGreen compliant dependent on functions

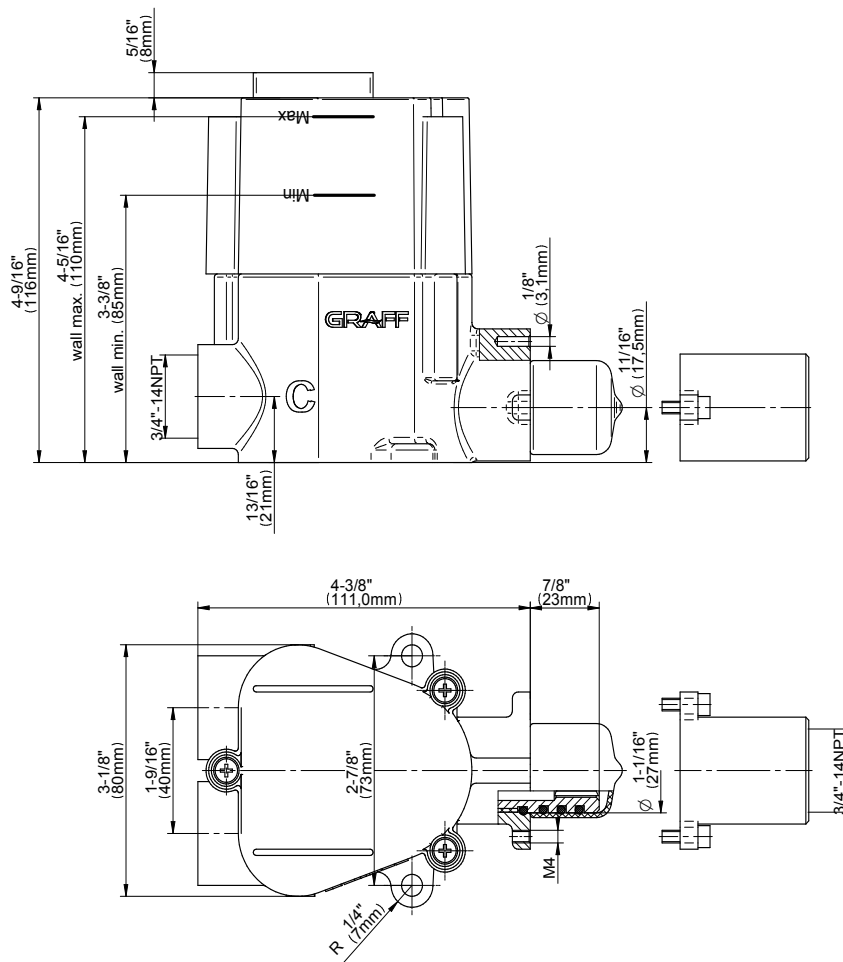
**Code Compliance**

- CALGreen

**Warranty**

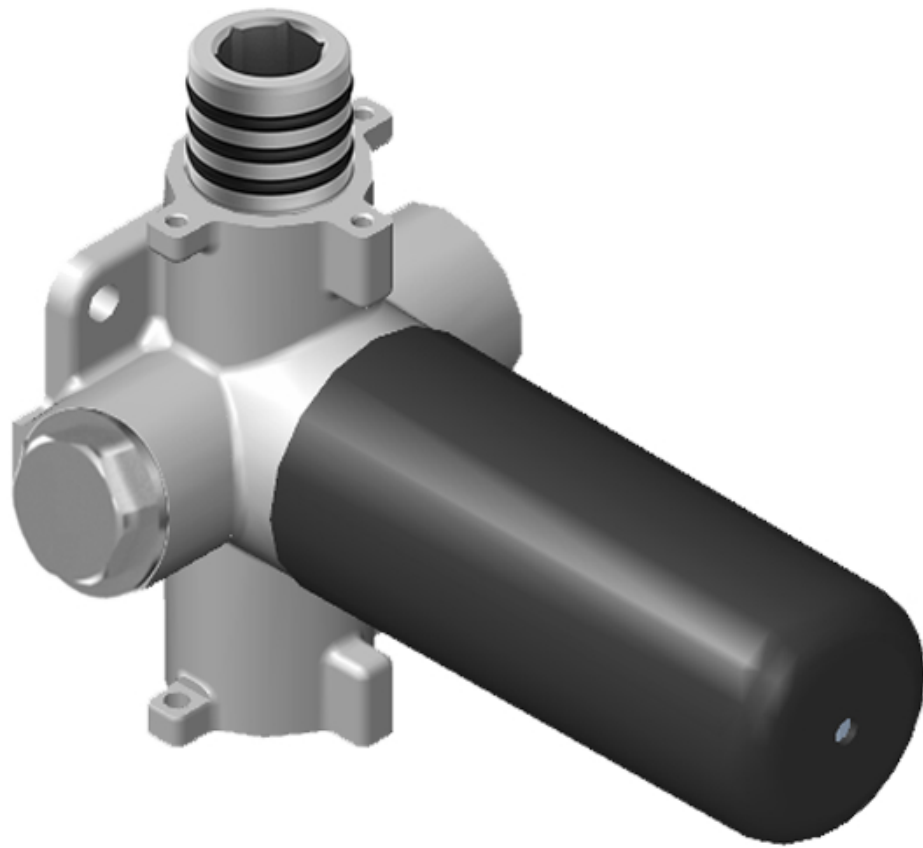
- Limited lifetime warranty

For complete warranty information go to [www.graff-faucets.com/en/info/faqs](http://www.graff-faucets.com/en/info/faqs)



The measurements shown are for reference only. Products and specifications shown are subject to change without notice. Revised 3/2016.

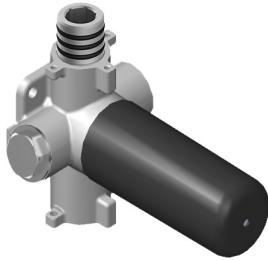
[www.graff-faucets.com](http://www.graff-faucets.com) | phone: 800-954-4723



**G-8076**

M-Series

Stop/Volume Control Rough Valve with Pass-Through



Product Features

- 13.2 gpm @ 60 psi
- 3/4" universal inlets/outlets with female threads
- Stacking inlet and pass-through port feature
- Supplied with protective plastic cover
- CalGreen compliant dependent on functions

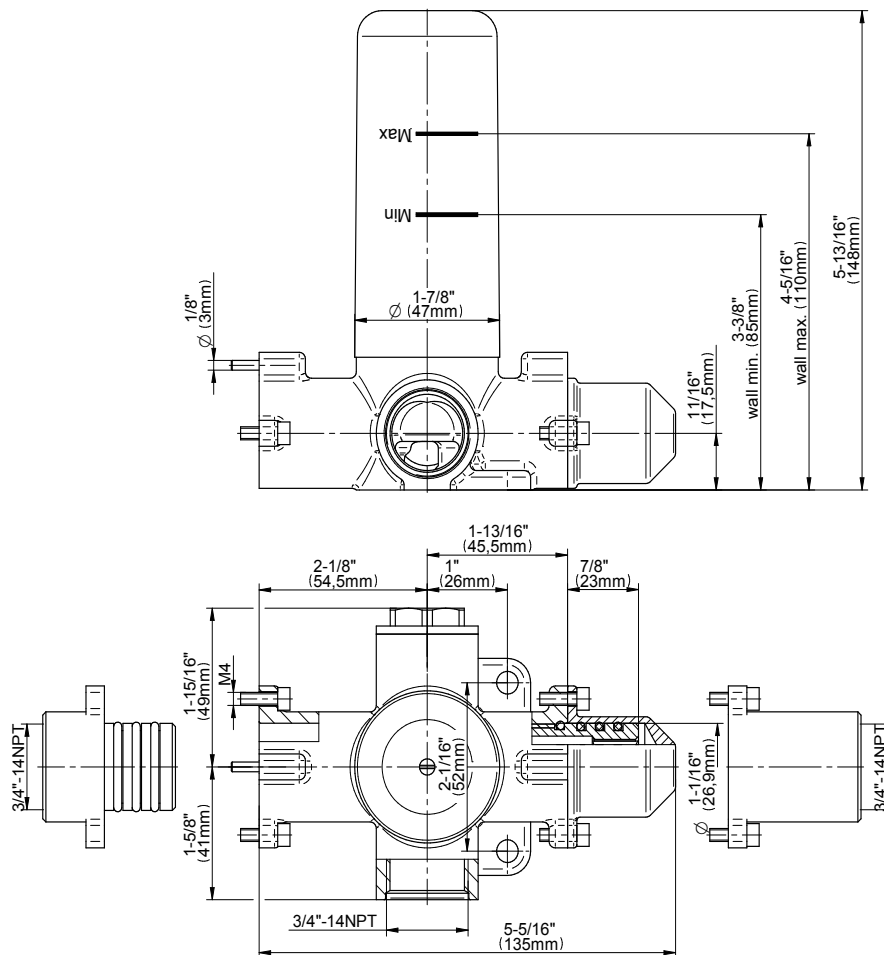
Code Compliance

- CALGreen

Warranty

- Limited lifetime warranty

For complete warranty information go to [www.graff-faucets.com/en/info/faqs](http://www.graff-faucets.com/en/info/faqs)



The measurements shown are for reference only. Products and specifications shown are subject to change without notice. Revised 3/2016.

[www.graff-faucets.com](http://www.graff-faucets.com) | phone: 800-954-4723



Wall-mount handshower set - PLANO

**Art. 8021U**

**Wall-mount handshower set**

- SOHO handshower with anti-siphon check valve
- Metal construction
- Water outlet with shower holder
- Square escutcheon
- Anti-lime scale system
- 58" vinyl hose
- 1/2" Male NPT fitting
- Water flow restricted to 1.8 GPM

Finishes:

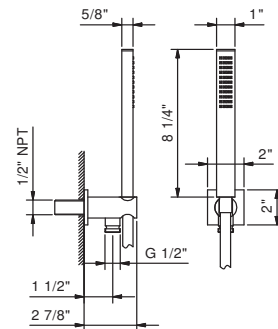
- Chrome** 86 02 8021U

**Project:**

**Room:**

**Date:**

**Comments:**



**Certifications/Awards:**





**G-8522**

Aqua-Sense Collection  
Contemporary 5" Shower Arm



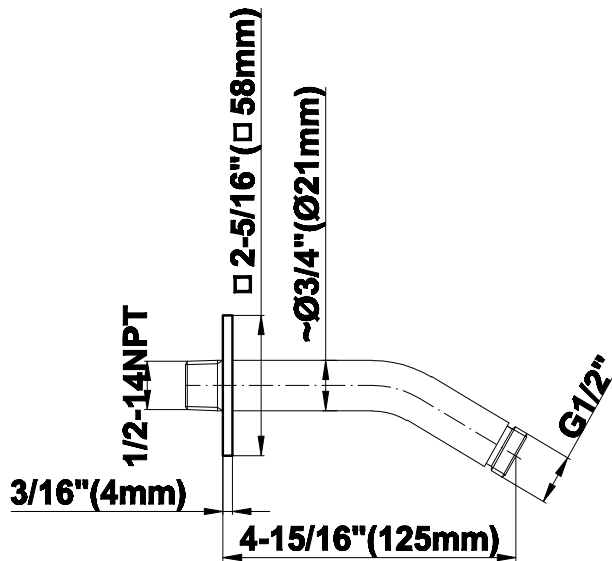
Product Features

- Includes arm and solid square flange
- 1/2" NPT male thread inlet
- For use with all showerheads

Available Finishes

- Polished Chrome  
G-8522-PC
- Brushed Nickel  
G-8522-BNi
- Polished Nickel  
G-8522-PN
- Unfinished Brass\*  
G-8522-UB\*
- Steelnox  
G-8522-SN
- Olive Bronze\*  
G-8522-OB\*
- Architectual Black with Chrome Accents\*  
G-8522-PC/BK\*
- Gold\*  
G-8522-AU\*
- Brushed Gold\*  
G-8522-BAU\*

\* Special order finish- call for availability



Warranty

- Limited lifetime warranty

For complete warranty information go to [www.graff-faucets.com/en-nam/warranty](http://www.graff-faucets.com/en-nam/warranty)

The measurements shown are for reference only. Products and specifications shown are subject to change without notice. Revised 11/2017





# S-2251

# SPEAKMAN®

Icon™ Shower Head

## MODELS:

- S-2251: 2.5 GPM (9.5 L/min) flow rate
- S-2251-E2: 2.0 (7.6 L/min) flow rate
- S-2251-E175: 1.75 GPM (6.6 L/min) flow rate

## FEATURES:

- 8 plungers, 64 sprays, 3 spray patterns
- Patented Anystream® plungers resist scale build-up
- Spray adjusting handle
- Solid brass construction
- 1/2" -14 NPTF female inlet
- Corrosion resistant finishes

## STOCK FINISHES:



PC BN ORB\*\* PB\*\* PN\*\* MB\*

## SPECIALTY FINISHES:



BBZ

## OPTIONS/ADD-ONS:

- -BPT : 1/2" British pipe thread inlet

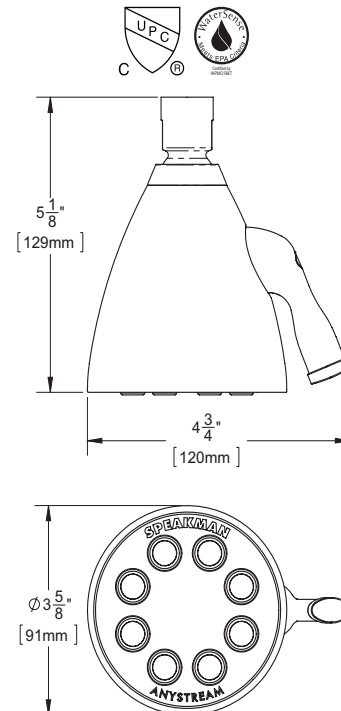
## STANDARDS:

- ASME A112.18.1/CSA B125.1 certified
- CEC (CA Energy Commission) certified, 1.75 GPM only
- WaterSense certified, 2.0 & 1.75 GPM only

## WARRANTY:

Visit [www.speakman.com](http://www.speakman.com) for full product warranty information

- Limited Lifetime Warranty (consumer)
- 1 Year Limited Warranty (commercial)



All dimensions are in inches (millimeters) unless otherwise specified and are subject to change without notice.  
 \* Available for S-2251-E2 & S-2251-E175. \*\* Available for S-2251-E175

Architect/Engineer Approval Space:

P: 800-537-2107  
 F: 800-977-2747  
 W: WWW.SPEAKMAN.COM  
 R: 03-AUGUST 2021