



WESTHAVEN
CONSTRUCTION SERVICES, INC.

8254 South River Dr
Medley, FL 33166
Ph. 305 556 1416
www.westhavencn.com

APPROVED ✓

By **ANA CARVALHO**
DESIGNER

05/15/2024

This drawing has been approved to be used for design, appraisal and estimation purposes.

ISSUE
03/ 1/ 2024
RE - ISSUE
05/15/2024

3701 PORTOFINO
0000 FI, 33000
OWNER
MIRTHA A.
DESIGN BY
J. Alonso
DRAWN BY
A. Quintero
PAGE NAME
MASTER VANITY

DESIGN CONCEPT

ALL MEASUREMENTS MUST BE VERIFIED IN FIELD

DISCARD ALL DRAWINGS THAT WERE MADE ON THIS ITEM PRIOR TO THE DATE BELOW:

05/15/2024

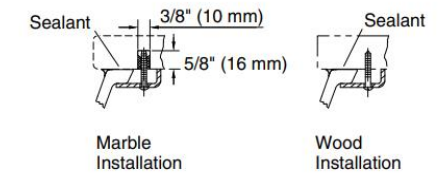
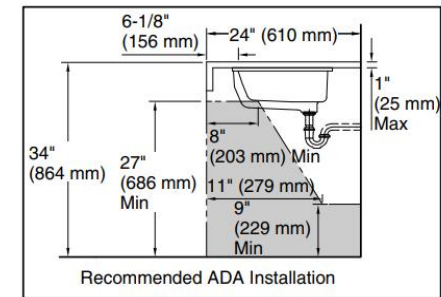
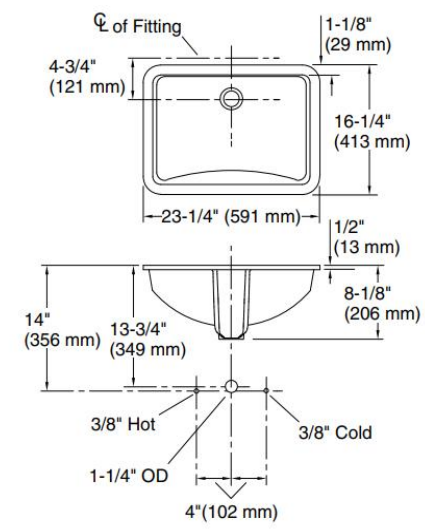
This drawing is not intended to be used for contract pricing or fabrication purposes. All content is subject to change

D - 01

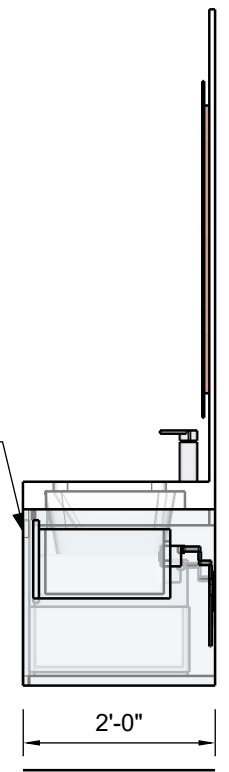
VANITIES

KOHLER.

Ladena®
Bathroom Sink
K-2215



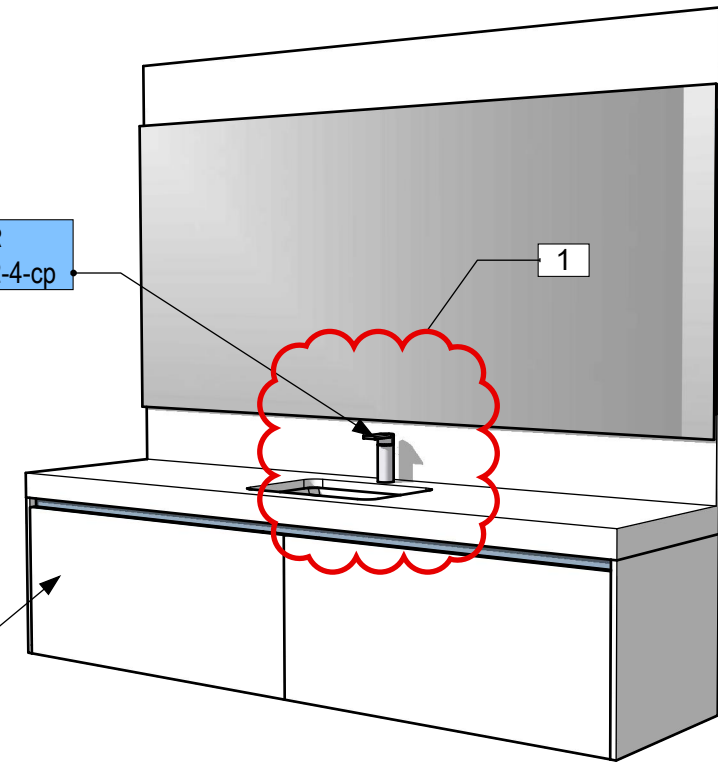
FINGER PULL SYSTEM



SIDE VIEW
Scale 1:24

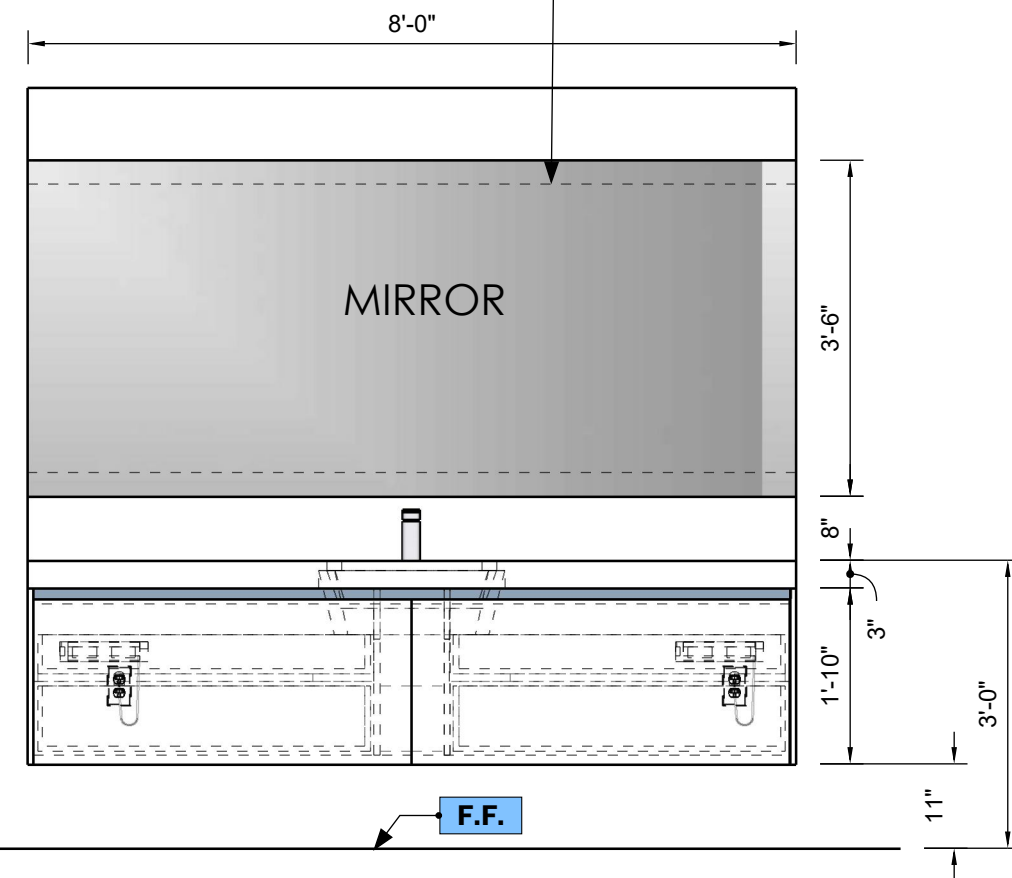
KOHLER
Model k-23472-4-cp

DRAWERS

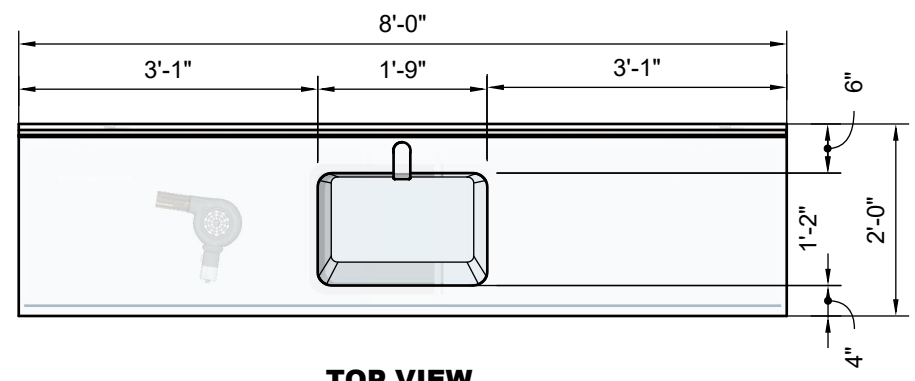


PERSPECTIVE VIEW
Not Scaled

LED ONLY UP AND DOWN



FRONT VIEW
Scale 1:24



TOP VIEW
Scale 1:24

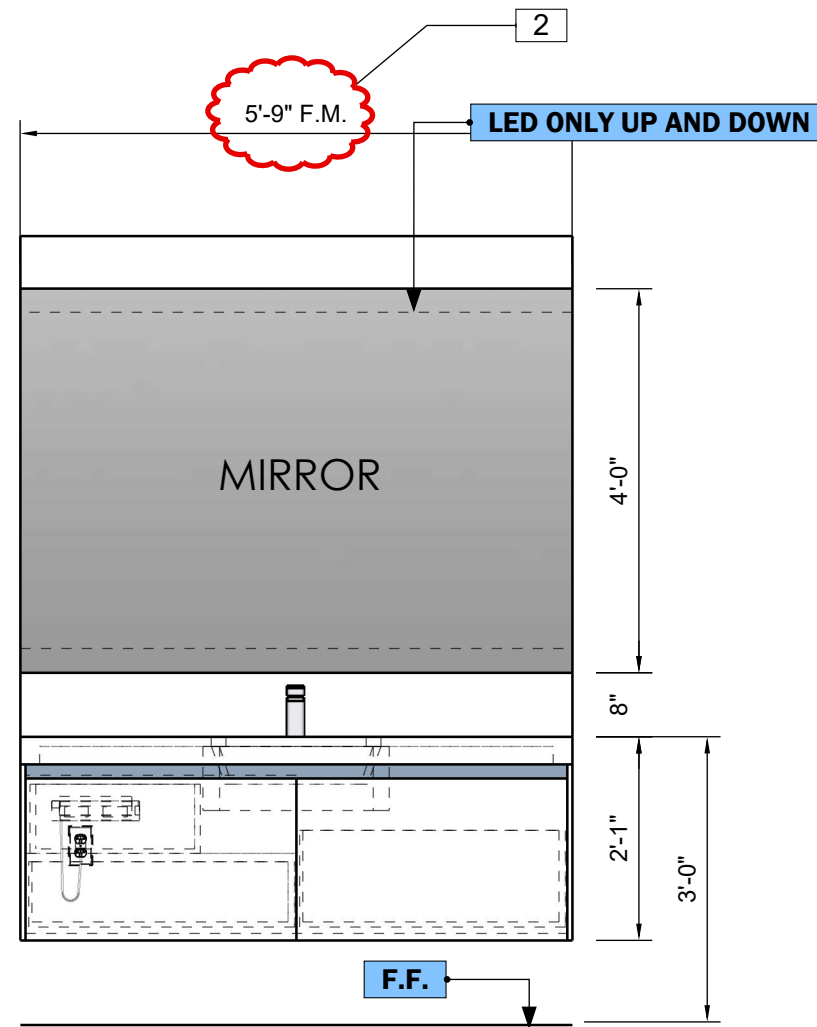
F.F.

NOTE

Drawings may not be scaled.

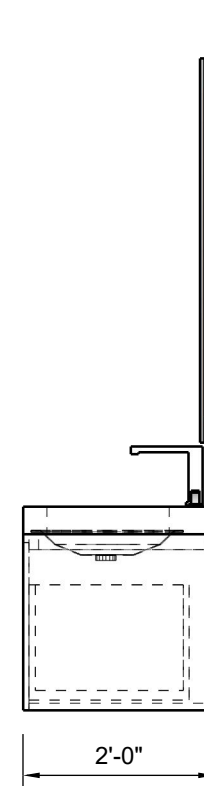
The numerical dimensions represent correct measurements. (If not indicated, the precision of the dimensions by default is to 1")

All design ideas, drawings and plans represented here are owned by the property of WESTHAVEN CONSTRUCTION SERVICES, INC. All rights reserved. Above suggested electrical and plumbing locations, must be verified in field.



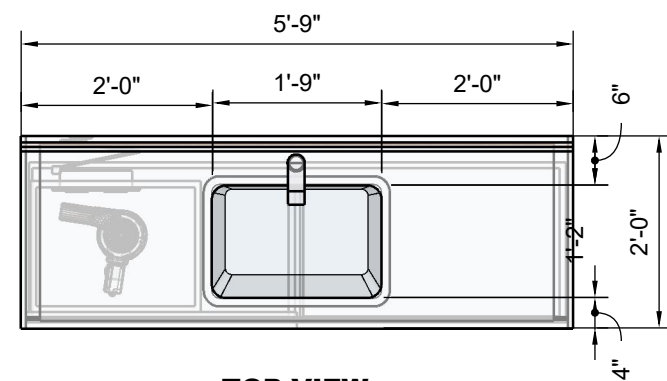
FRONT VIEW

Scale 1:24



SIDE VIEW

Scale 1:24

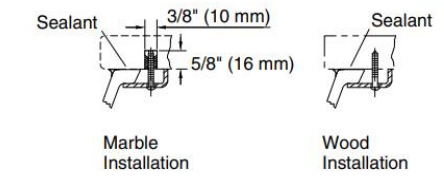
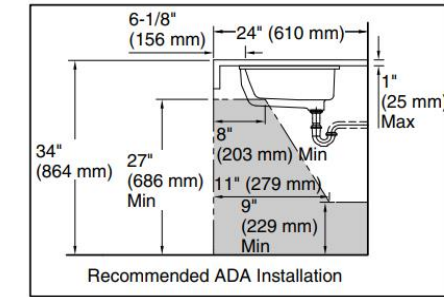
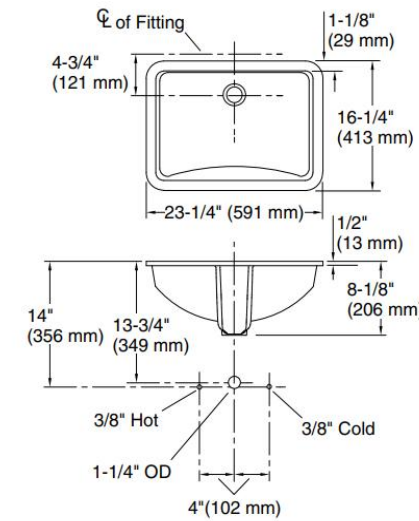


TOP VIEW

Scale 1:24

KOHLER.

Ladena®
Bathroom Sink
K-2215



This plan presents preliminary proposals for materials, measurements, and design. Please note that these proposals are subject to possible changes.

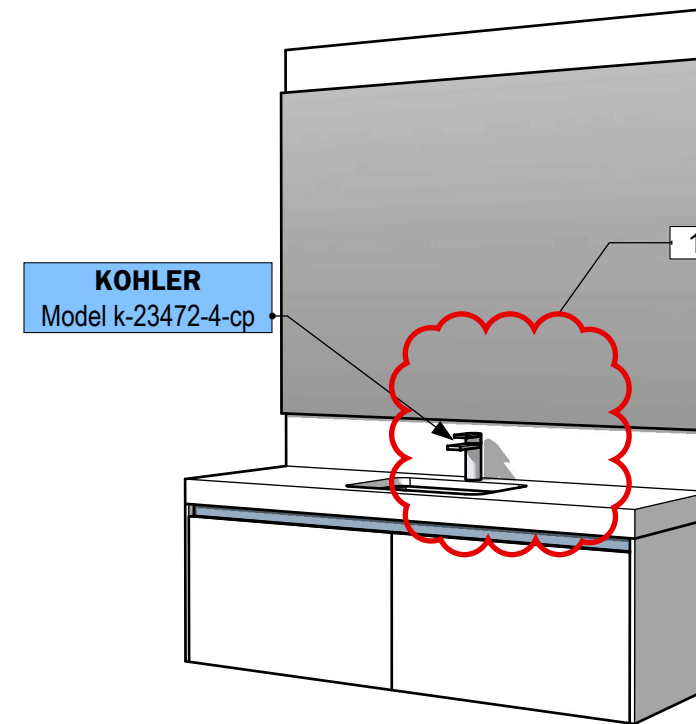
Materials: Proposed materials are subject to evaluation and final selection.

Measurements: Indicated measurements are approximate and may be adjusted during the design and construction process.

Design: The presented design is an initial proposal and may undergo modifications.

Approvals and revisions: Any changes to materials, measurements, or design require appropriate approval.

This plan does not represent the final version of the project, and adjustments will be made to ensure quality and goal fulfillment.



PERSPECTIVE VIEW

Not Scaled

STARTED: 03/1/2024

COMPLETED: 05/15/2024

| REVISIONS | | |
|-----------|--------------------|------------|
| 1 | faucet | |
| 2 | Field Measurements | 05/15/2024 |
| 3 | Docking Drawer | |
| | | |
| | | |
| | | |
| | | |
| | | |
| | | |
| | | |

APPROVED ✓

By **ANA CARVALHO**

DESIGNER

05/15/2024

This drawing has been approved to be used for design, appraisal and estimation purposes.

REVISED VERSION

ISSUE
03/1/2024
RE - ISSUE
05/15/2024

3701 PORTOFINO
0000 FI, 33000
OWNER
MIRTHA A.
DESIGN BY
J. Alonso
DRAWN BY
A. Quintero
PAGE NAME
VANITY No 2

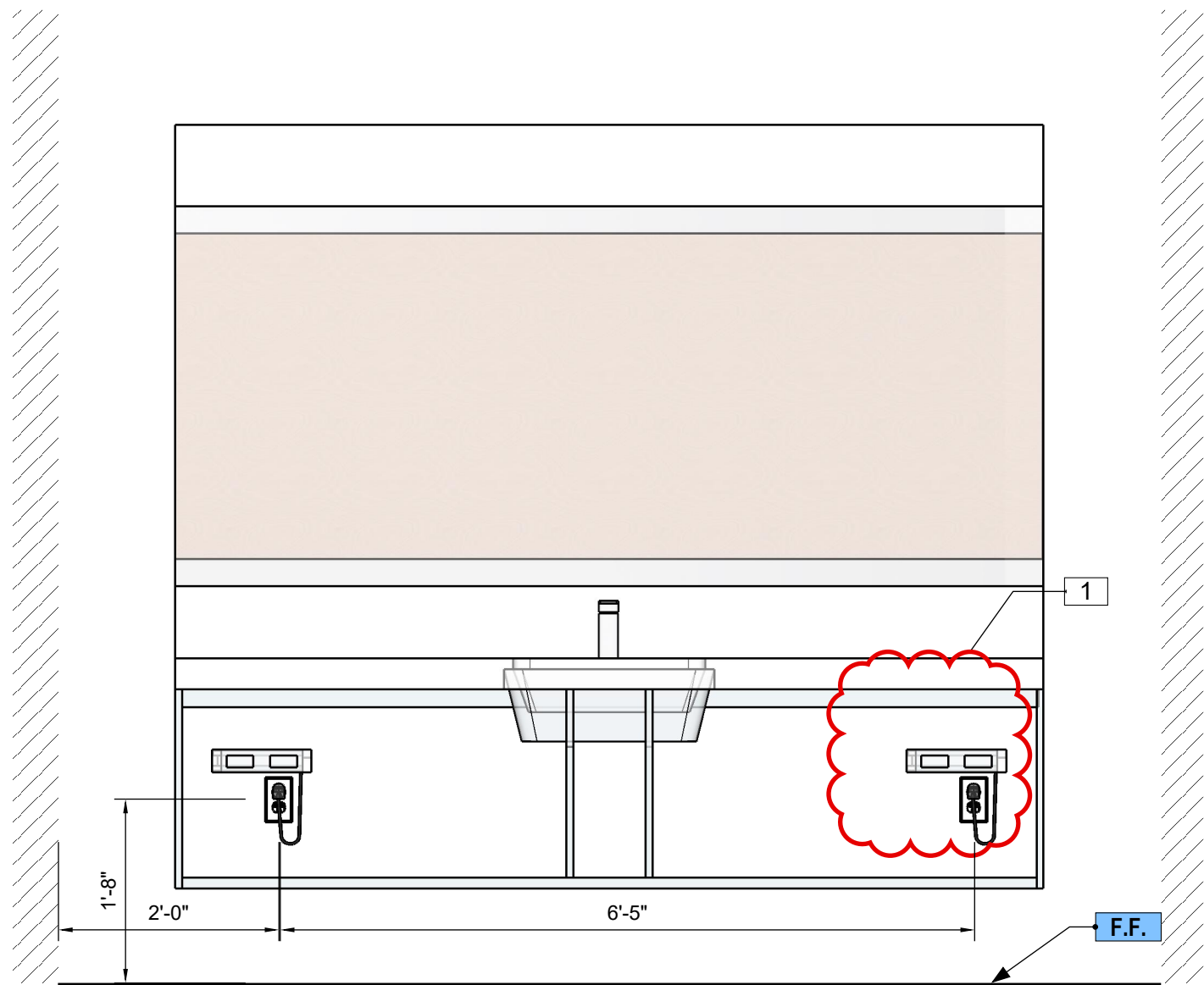
DESIGN CONCEPT

ALL MEASUREMENTS MUST BE VERIFIED IN FIELD

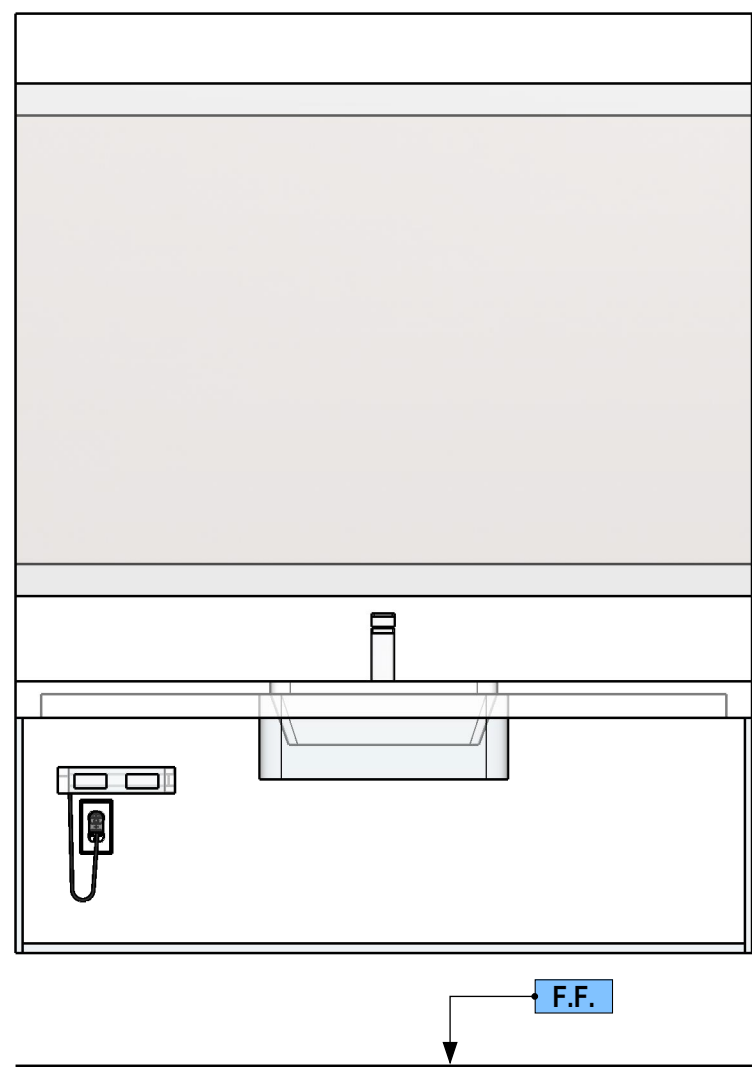
DISCARD ALL DRAWINGS THAT WERE MADE ON THIS ITEM PRIOR TO THE DATE BELOW:

05/15/2024

This drawing is not intended to be used for contract pricing or fabrication purposes. All content is subject to change



FRONT VIEW
Scale 1:16



FRONT VIEW
Scale 1:16

THESE MEASUREMENTS ARE TAKEN IN RELATION TO THE FURNITURE. THE ELECTRICIAN SHOULD TAKE INTO ACCOUNT THE EXACT LOCATION OF THE VANITIES ON THE SITE TO PROCEED WITH THE PLACEMENT OF THE OUTLETS

| STARTED: 03/ 1/ 2024 | | |
|------------------------------|--------------------|------------|
| COMPLETED: 05/15/2024 | | |
| REVISIONS | | |
| 1 | faucet | |
| 2 | Field Measurements | 05/15/2024 |
| 3 | Docking Drawer | |
| | | |
| | | |
| | | |
| | | |
| | | |
| | | |



3701 PORTOFINO
0000 Fl, 33000

OWNER: MIRTHA A. OUTLETS
DESIGN BY: J. Alonso
DRAWN BY: A. Quintero

ISSUE: 03/ 1/ 2024
RE - ISSUE: 05/15/2024

DESIGN CONCEPT

ALL MEASUREMENTS MUST BE VERIFIED IN FIELD

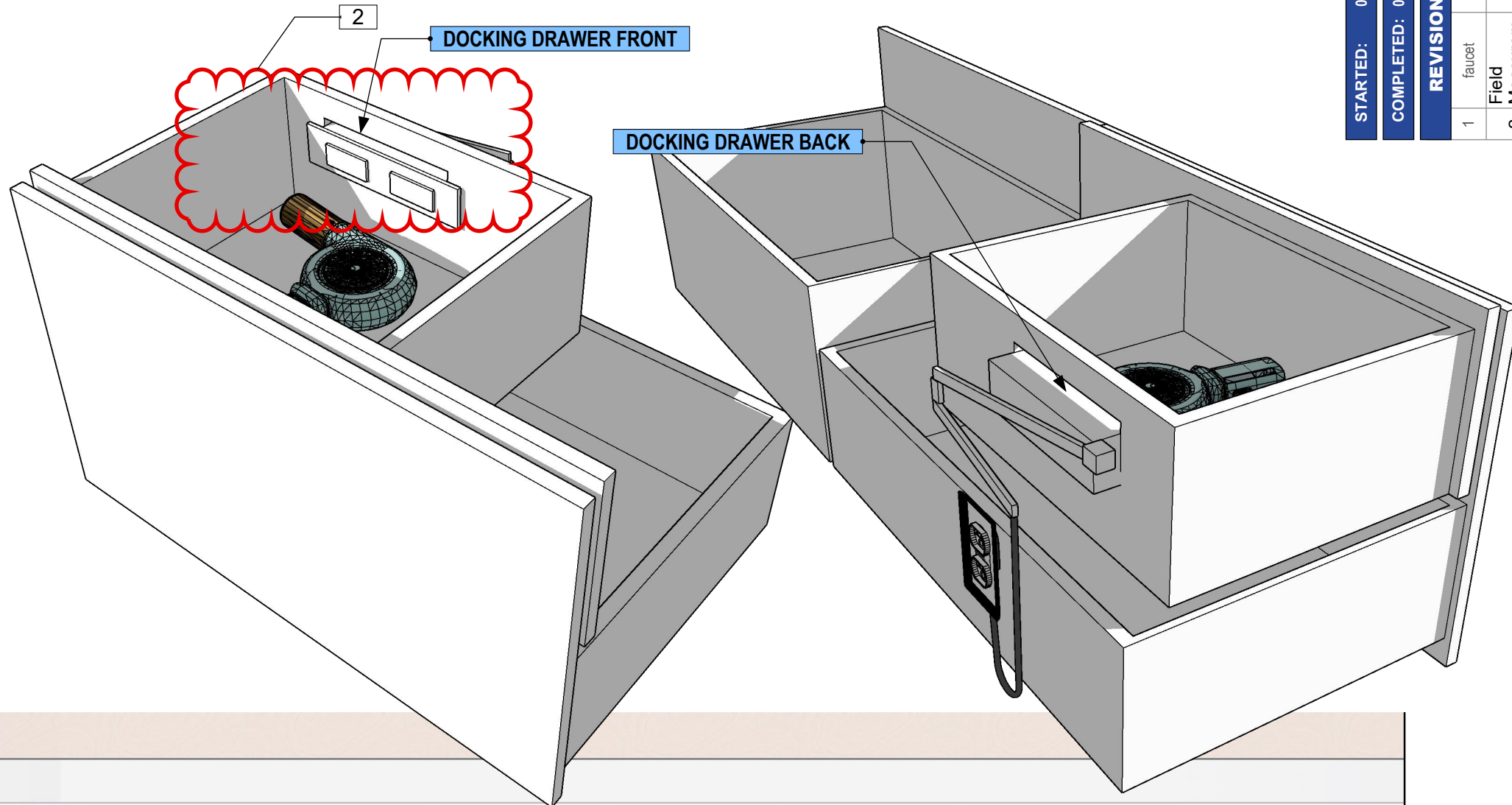
DISCARD ALL DRAWINGS THAT WERE MADE ON THIS ITEM PRIOR TO THE DATE BELOW:

05/15/2024

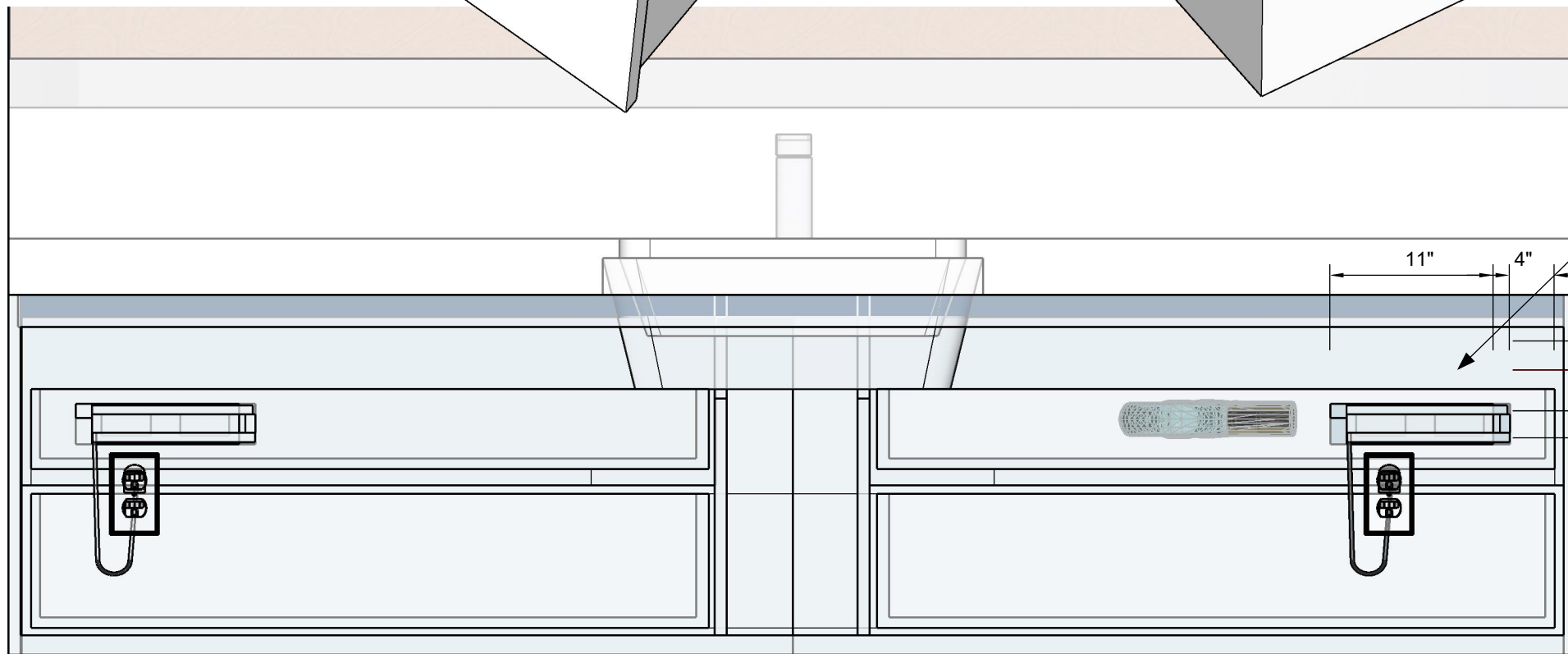
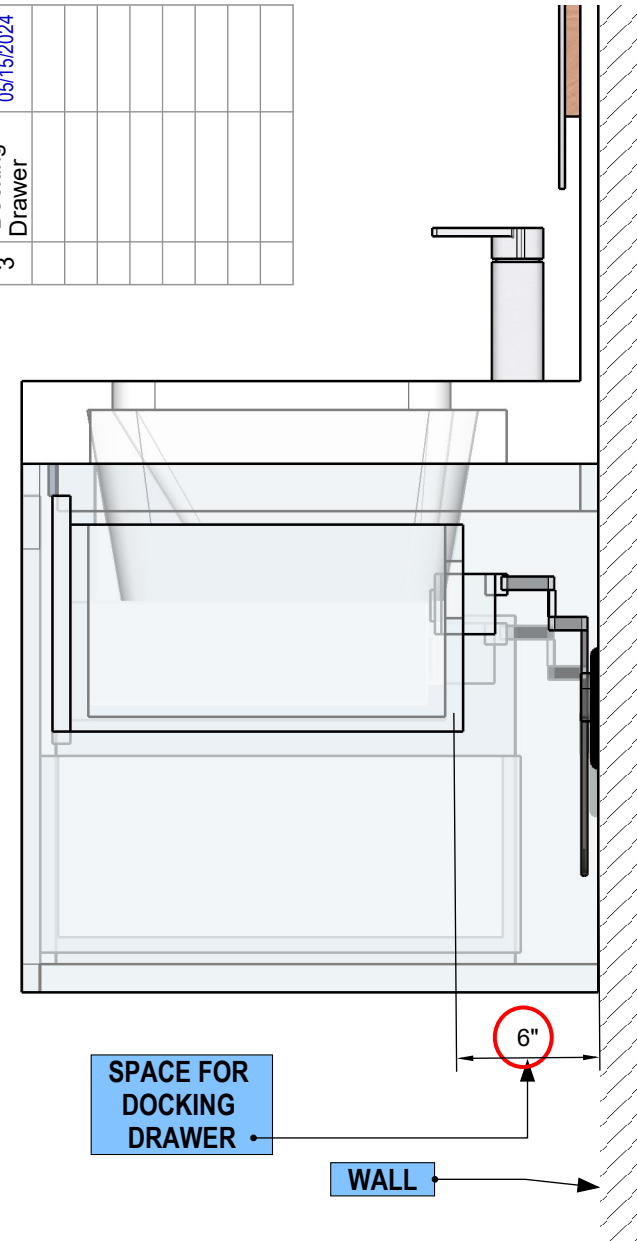
This drawing is not intended to be used for contract pricing or fabrication purposes. All content is subject to change

D - 03

VANITIES



| | |
|-------------------|--------------------|
| STARTED: | 03/1/2024 |
| COMPLETED: | 05/15/2024 |
| REVISIONS | |
| 1 | fau |
| 2 | Field Measurements |
| 3 | Docking Drawer |
| | 05/15/2024 |



BACK X-RAY VIEW



THIS DRAWING IS A DESIGN CONCEPT
FOR APPROVAL



CONTACT DESIGN TEAM

3701 PORTOFINO
0000 Fl, 33000

ISSUE 03/ 1/ 2024
RE - ISSUE 05/15/2024

OWNER MIRTHA A.
DESIGN BY J. Alonso
DRAWN BY A. Quintero
PAGE NAME DOCKING DRAWER

DESIGN CONCEPT

ALL MEASUREMENTS MUST BE VERIFIED IN FIELD

DISCARD ALL DRAWINGS THAT WERE MADE ON THIS ITEM PRIOR TO THE DATE BELOW:

05/15/2024

This drawing is not intended to be used for contract pricing or fabrication purposes. All content is subject to change