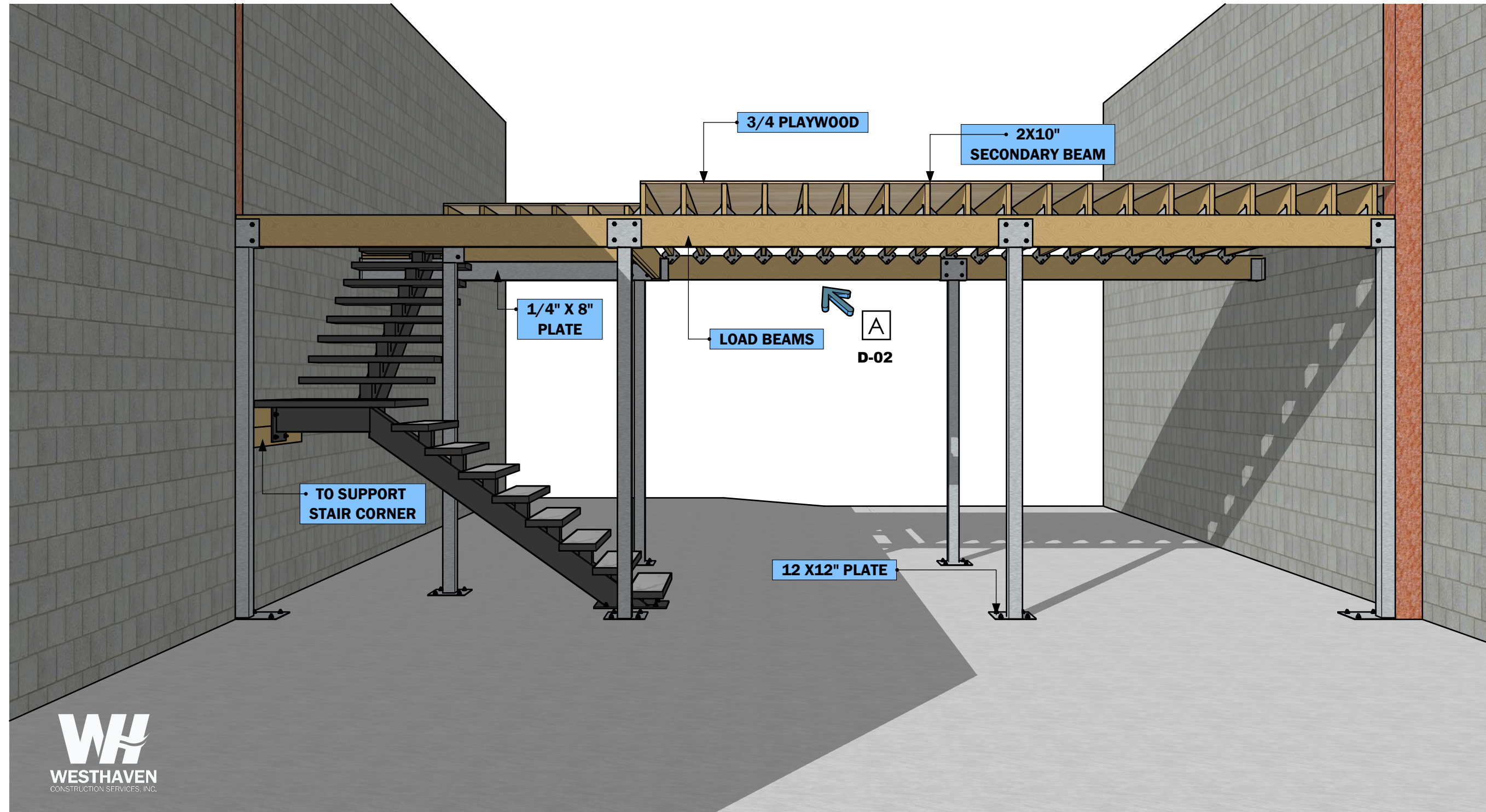


SECOND FLOOR STRUCTURE



PROGRESS DRAWING  
**FOR APPROVAL**



CONTACT DESIGN TEAM

ISSUE  
11/ 20/ 2024  
RE - ISSUE  
11/20/2024

OWNER  
WESTHAVEN OFFICE  
PAGE NAME  
COVER PAGE

DESIGN BY  
J. Alonso  
DRAWN BY  
A. Quintero

**DESIGN CONCEPT**

**ALL MEASUREMENTS  
MUST BE  
VERIFIED IN FIELD**

DISCARD ALL DRAWINGS THAT  
WERE MADE ON THIS ITEM PRIOR  
TO THE DATE BELOW:

**11/20/2024**

This drawing is not intended to be used  
for contract pricing or fabrication  
purposes.  
All content is subject to change

COVER PAGE

SECOND FLOOR  
STRUCTURE



**PROGRESS DRAWING  
 FOR APPROVAL**



CONTACT DESIGN TEAM

**BASE VERSION**  
 SUBJECT TO REVISIONS

ISSUE  
 11/ 20/ 2024  
 RE - ISSUE  
 11/20/2024

**2400 WESTHAVEN**  
 0000 Fl., 33000  
 DESIGN BY  
 J. Alonso  
 DRAWN BY  
 A. Quintero  
 OWNER  
 WESTHAVEN OFFICE  
 PAGE NAME  
 U CHANNELS

**DESIGN CONCEPT**

**ALL MEASUREMENTS  
 MUST BE  
 VERIFIED IN FIELD**

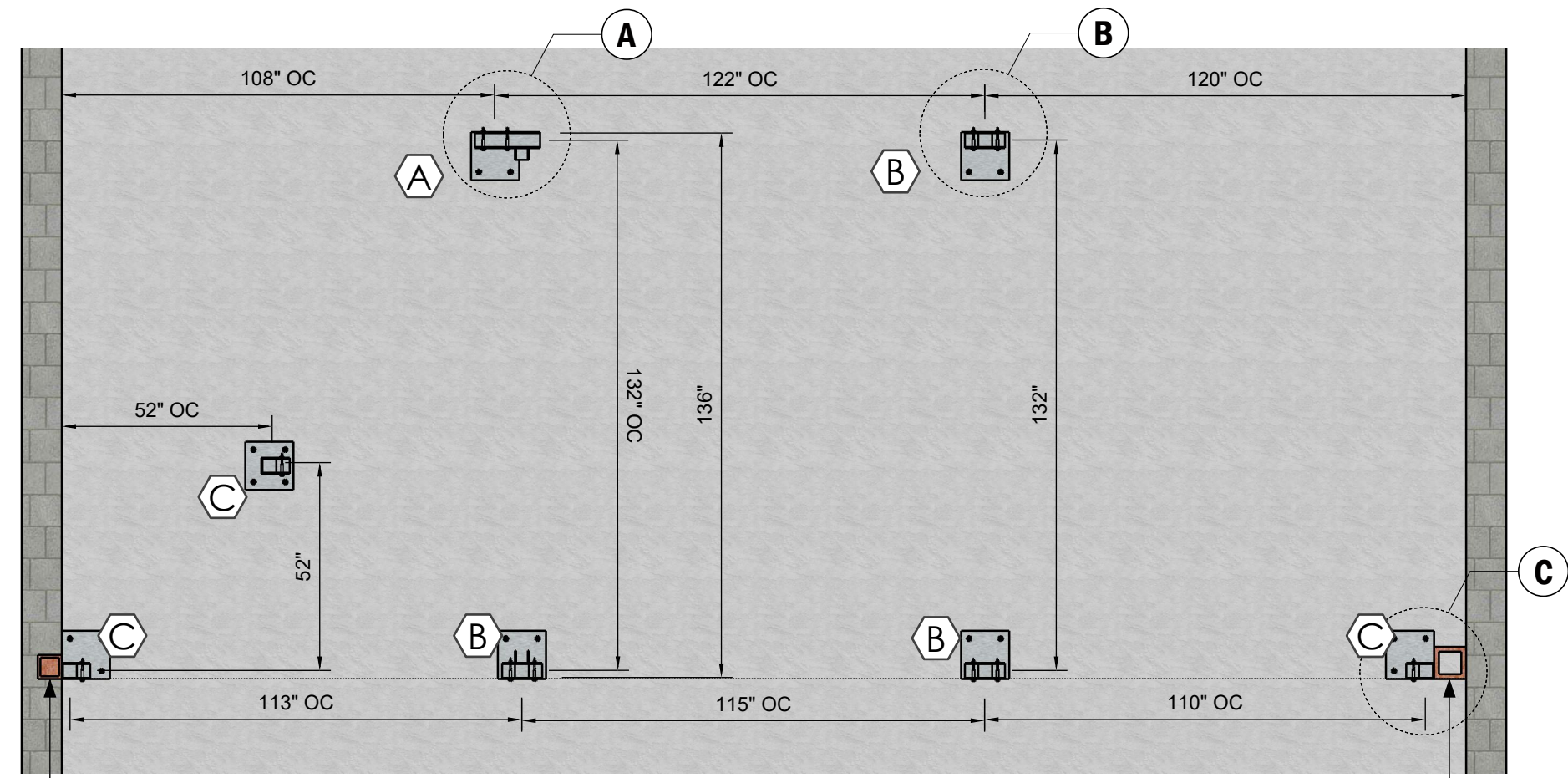
DISCARD ALL DRAWINGS THAT  
 WERE MADE ON THIS ITEM PRIOR  
 TO THE DATE BELOW:

**11/20/2024**

This drawing is not intended to be used  
 for contract pricing or fabrication  
 purposes.  
 All content is subject to change

**D - 01**

**SECOND FLOOR  
 STRUCTURE**

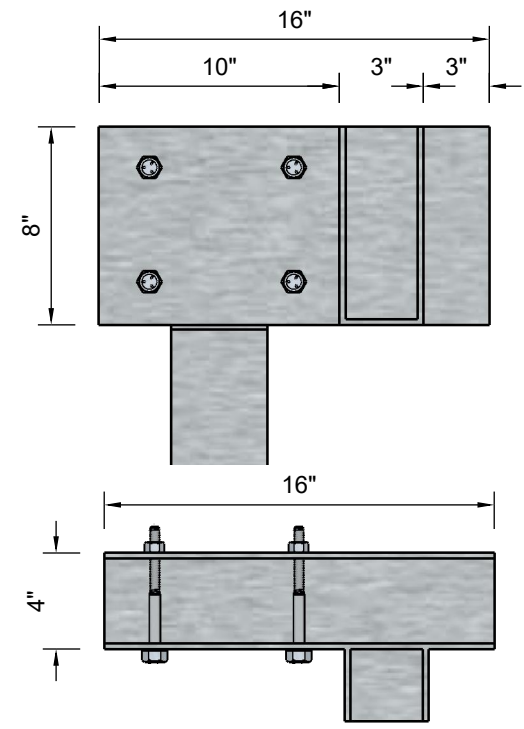


**EXISTING COLUMN**  
 (REFERENCE)

**COLUMNS LOCATIONS**

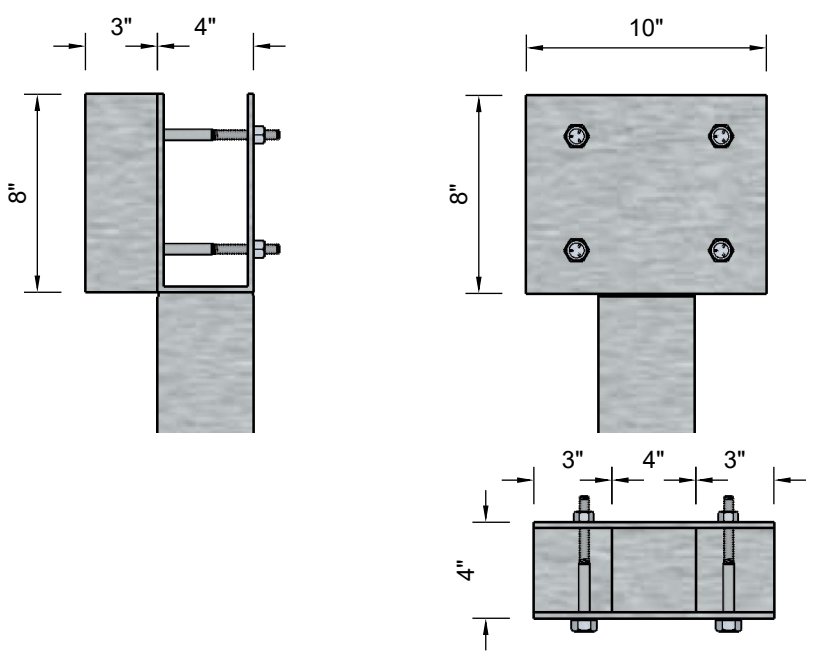
**EXISTING COLUMN**  
 (REFERENCE)

**DETAIL A**  
 Scale 1:8



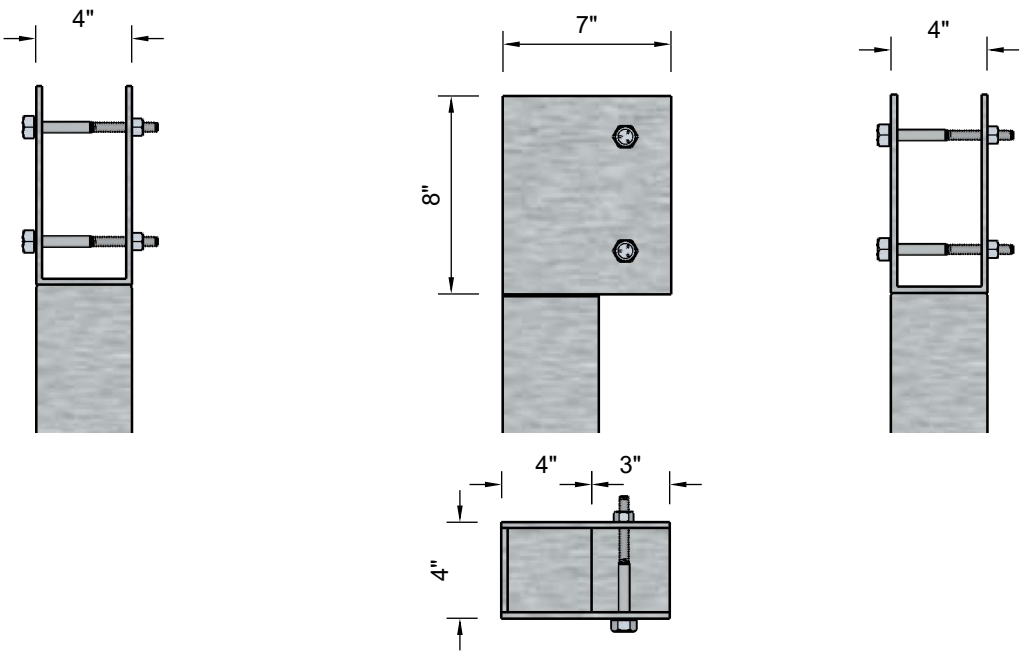
(1 REQ'D)

**DETAIL B**  
 Scale 1:8



(3 REQ'D)

**DETAIL C**  
 Scale 1:8



(3 REQ'D)

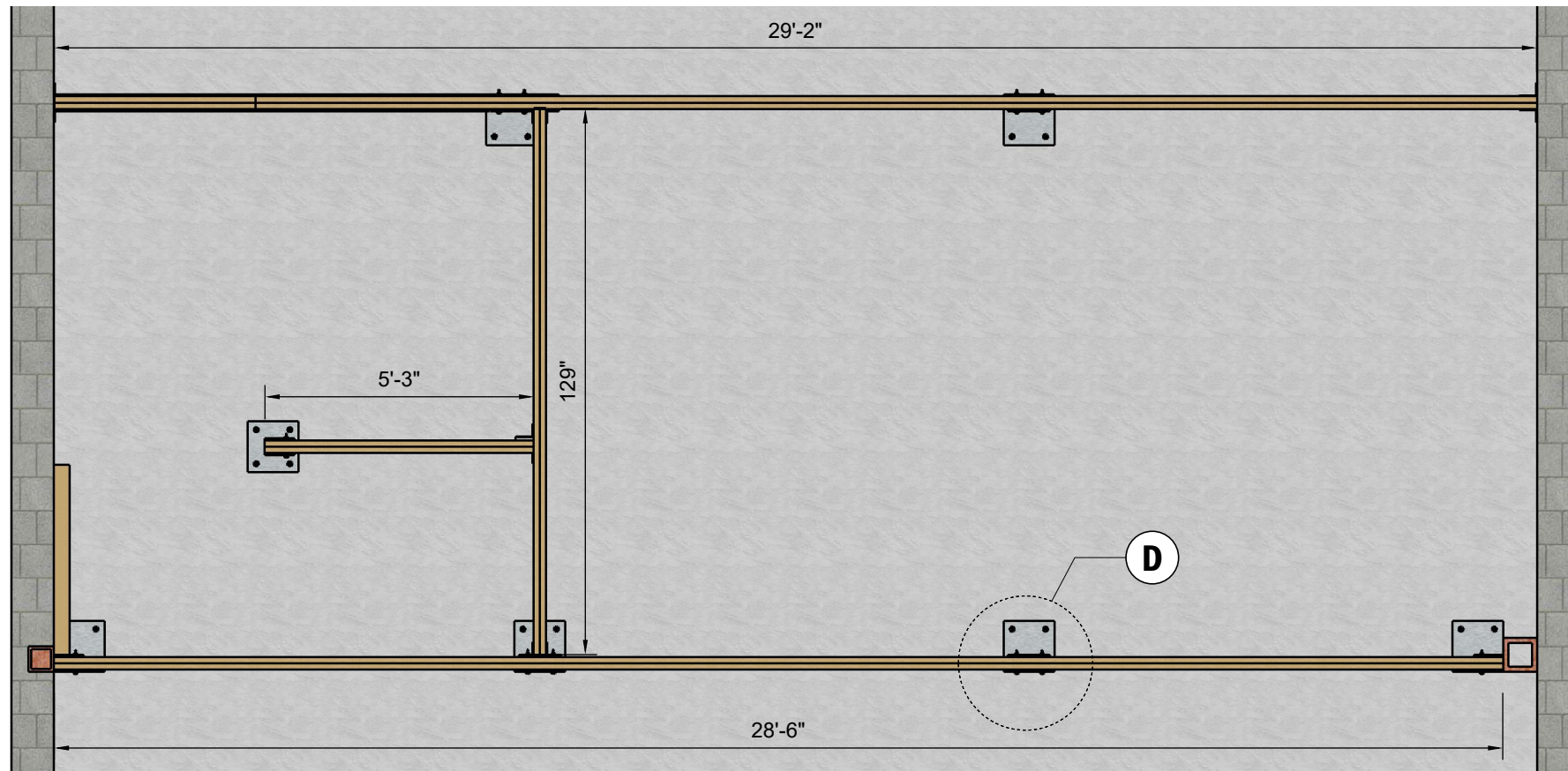
NOTE

Drawings may not be scaled.

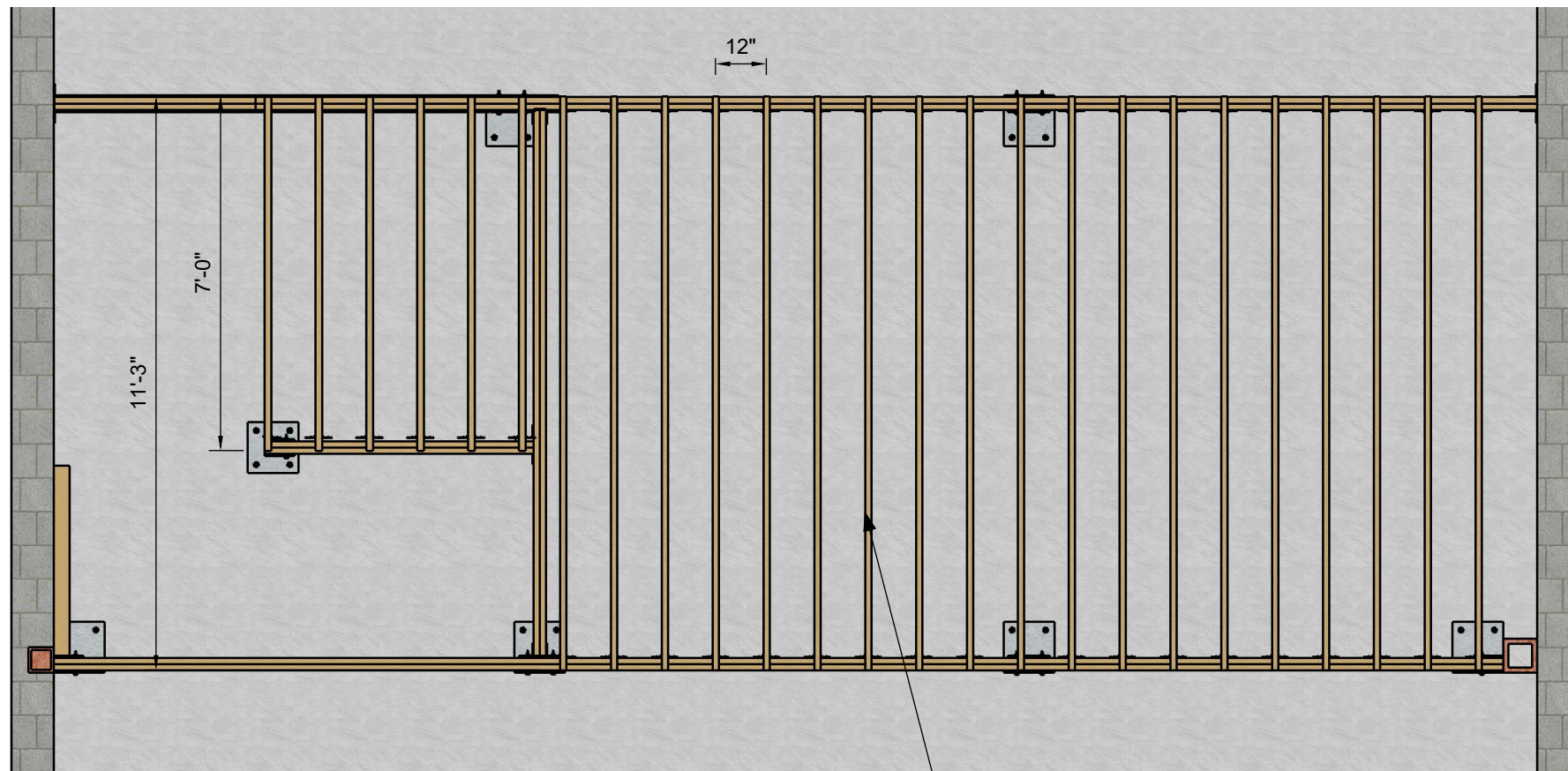
The numerical dimensions represent correct measurements. (If not indicated, the precision of the dimensions by default is to 1")

All design ideas, drawings and plans represented here are owned by the property of WESTHAVEN CONSTRUCTION SERVICES, INC. All rights reserved. Above suggested electrical and plumbing locations, must be verified in field.



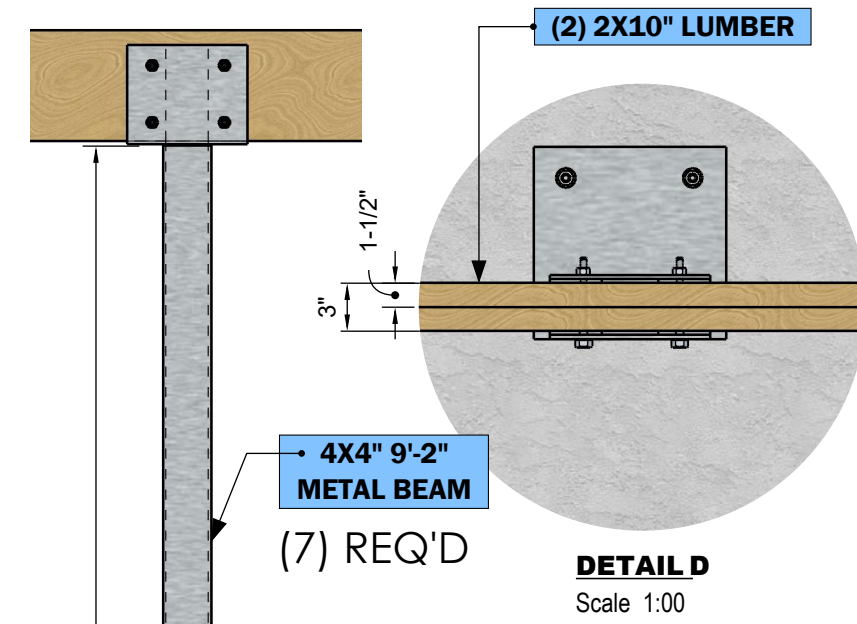


**BEAMS**

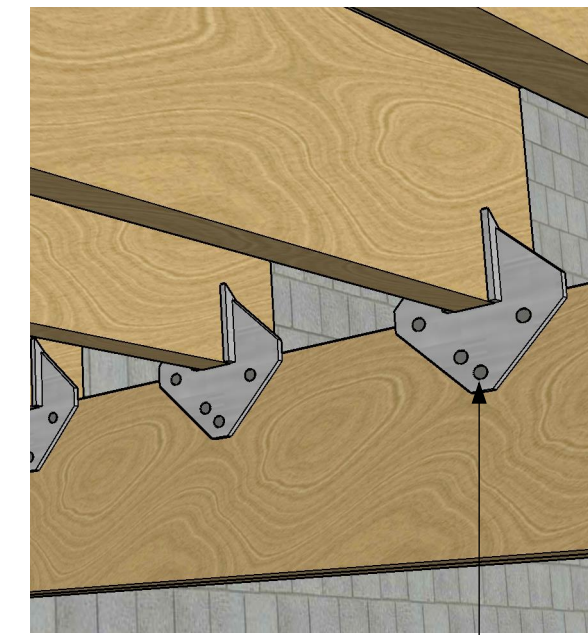


**SECONDARY BEAMS**

**2X10" LUMBER @ 12" OC**



**DETAIL D**  
Scale 1:00



**PERSPECTIVE VIEW**

Not Scaled

**VIEW A**

**1/4" x 12" x 12" PLATE**

**H1A 18-Gauge Galvanized Hurricane Tie**

Internet # 324652897 (55) REQ'D  
Model # H1A  
Store SKU # 461938

