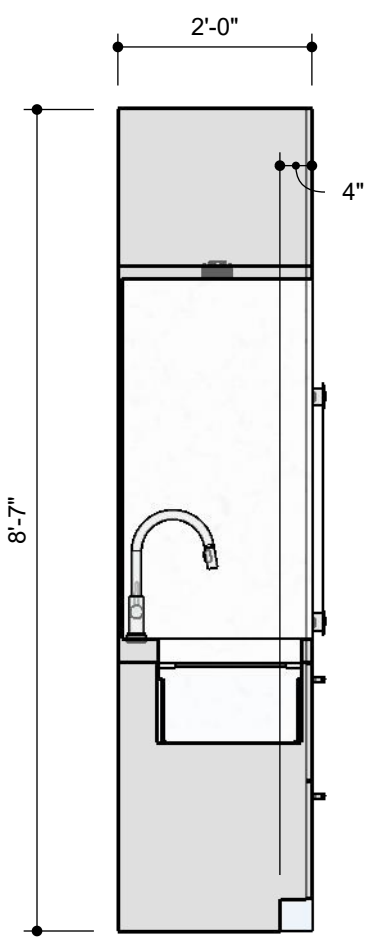
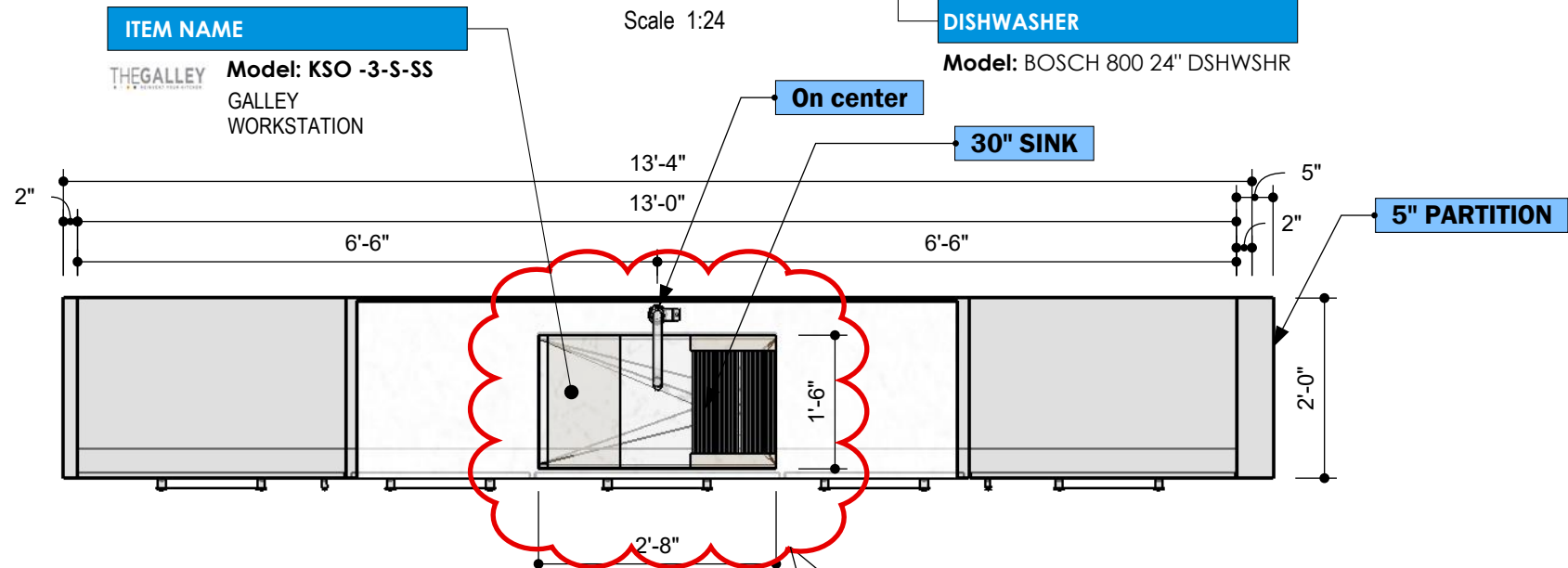


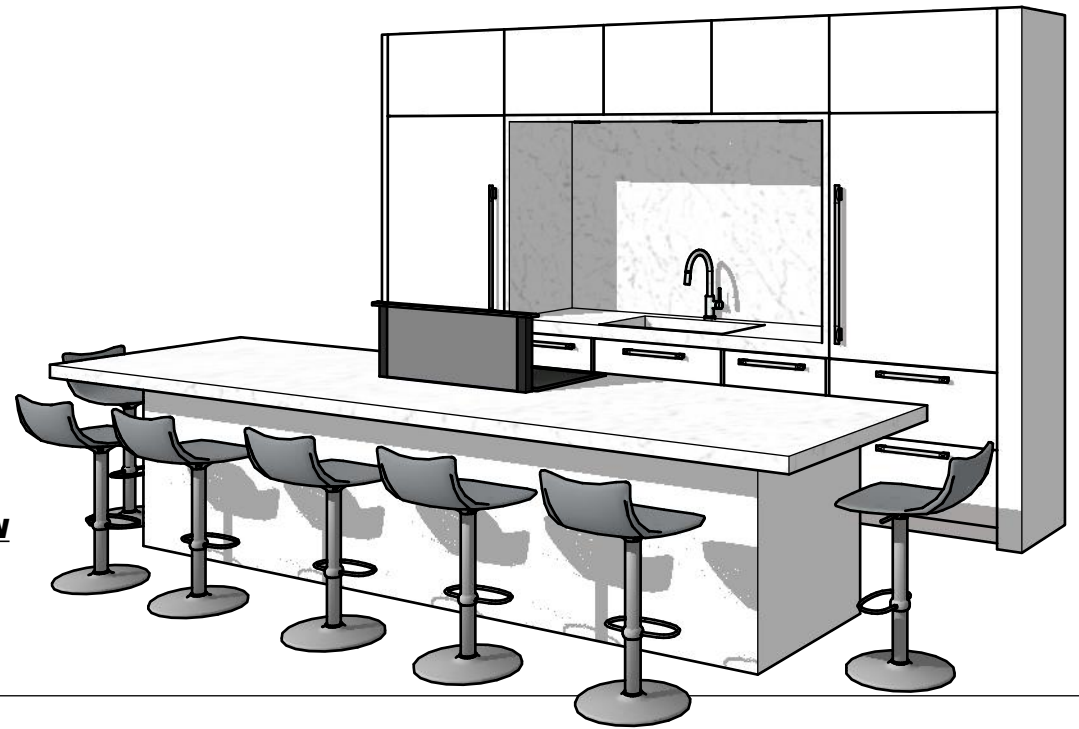
FRONT VIEW
Scale 1:24



SIDE VIEW
Scale 1:24



TOP VIEW
Scale 1:24



PERSPECTIVE VIEW
Not Scaled

STARTED: 03/24/2023
COMPLETED: 12/12/2023

REVISIONS

NO.	DESCRIPTION	DATE
1	Marble Sink	12/08/2023
2	Sink, The Galley	12/08/2023
3	ELIMINATE LED LINES AND PLACE THREE RECESSED LIGHTS	12/12/2023

DESIGN CONCEPT

ALL MEASUREMENTS MUST BE VERIFIED IN FIELD

This drawing is not intended to be used for contract pricing or fabrication purposes. All content is subject to change.

DISCARD ALL DRAWINGS THAT WERE MADE ON THIS ITEM PRIOR TO THE DATE BELOW:

12/12/2023

NOTES

Drawings may not be scaled. The numerical dimensions represent correct measurements. All dimensions are given from finished floor and finished wall unless otherwise noted. All design ideas, drawings and plans represented here are owned by the property of **WESTHAVEN CONSTRUCTION SERVICES**. All rights reserved. Above suggested electrical and plumbing locations, must be verified in field.

THIS DRAWING IS A DESIGN CONCEPT
FOR APPROVAL



CONTACT DESIGN TEAM



WESTHAVEN
CONSTRUCTION SERVICES, INC.

CLIENT
CLIENT NAME
0000
FL, 33000

ISSUE
03/24/2023
RE - ISSUE
MM, DD, YY

DESIGN BY
Joel A.
DRAWN BY
Abel Q.

DESCRIPTION
KITCHEN & ISLAND
PAGE NAME
KITCHEN CABINETS

PROJECT No
904
PROJECT NAME
CONTINUUM SOUTH



DESIGN CONCEPT

ALL MEASUREMENTS MUST BE VERIFIED IN FIELD

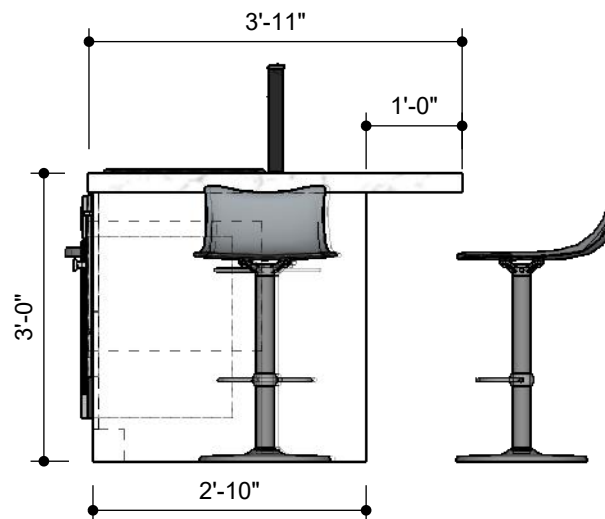
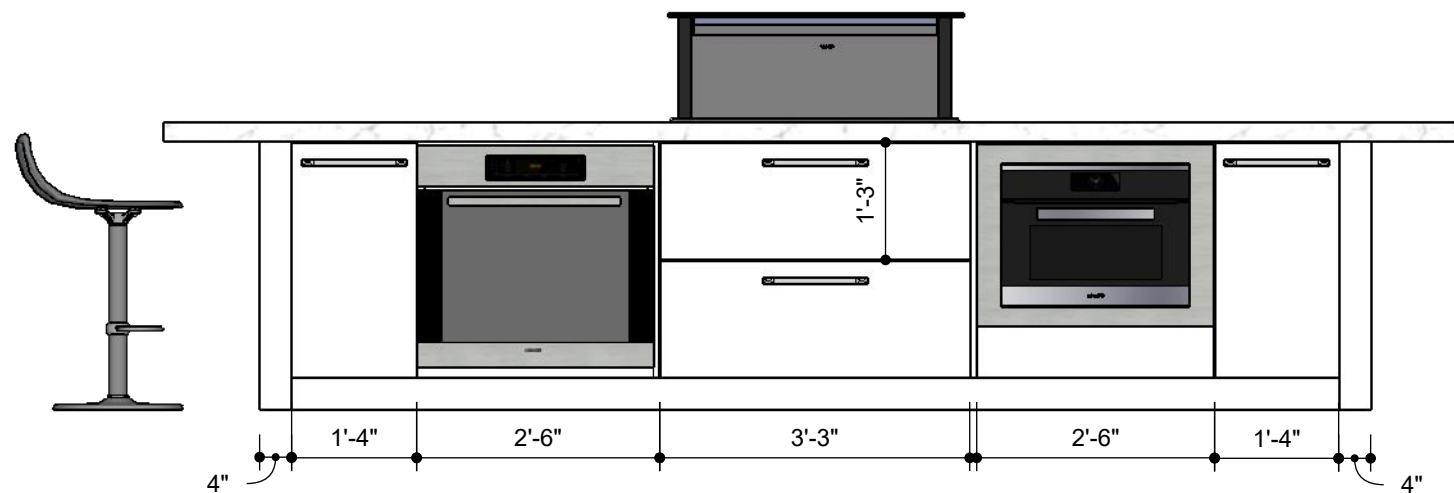
This drawing is not intended to be used for contract pricing or fabrication purposes. All content is subject to change

DISCARD ALL DRAWINGS THAT WERE MADE ON THIS ITEM PRIOR TO THE DATE BELOW:

12/12/2023

NOTES

Drawings may not be scaled. The numerical dimensions represent correct measurements. All dimensions are given from finished floor and finished wall unless otherwise noted. All design ideas, drawings and plans represented here are owned by the property of **WESTHAVEN CONSTRUCTION SERVICES.** All rights reserved. Above suggested electrical and plumbing locations, must be verified in field.

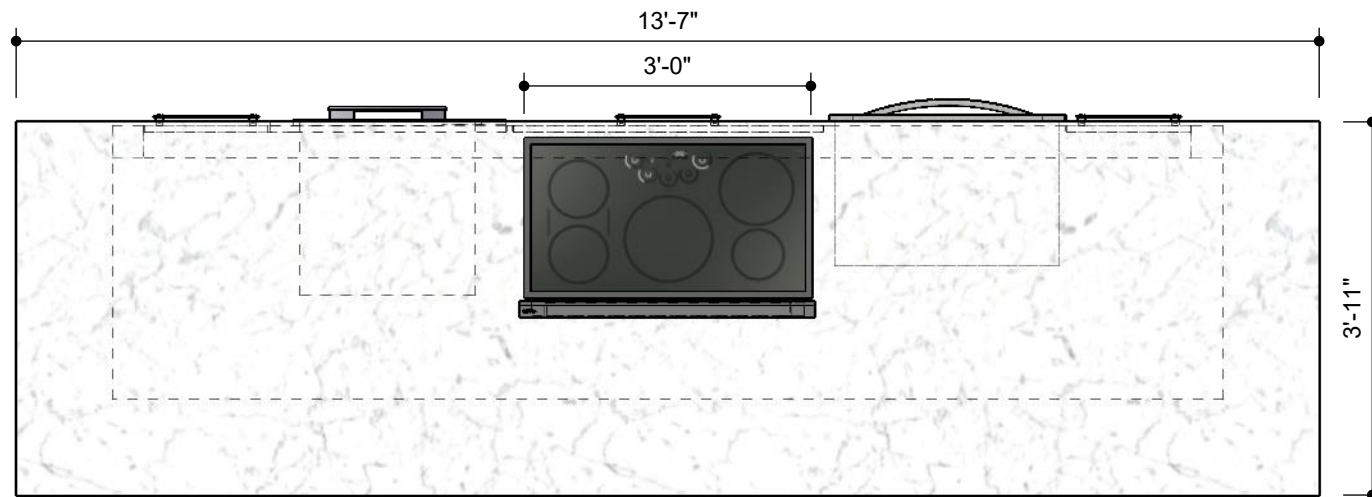


THIS DRAWING IS A DESIGN CONCEPT

FOR APPROVAL



CONTACT DESIGN TEAM



COOKTOP

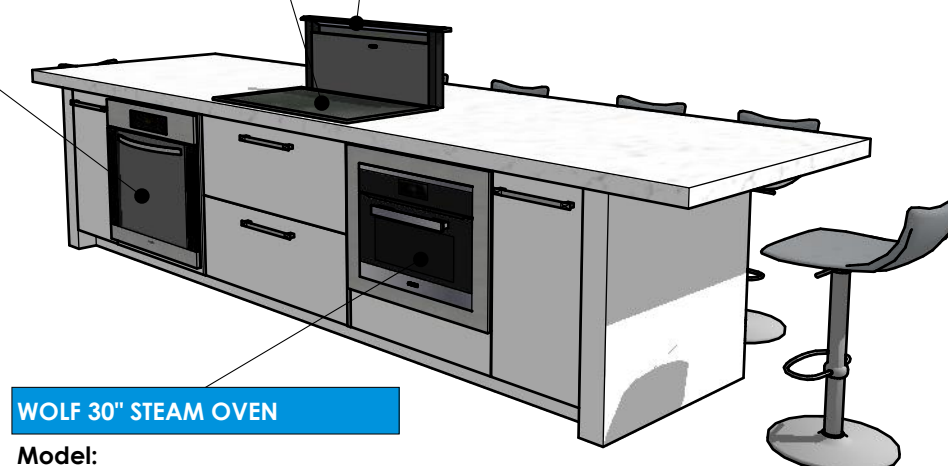
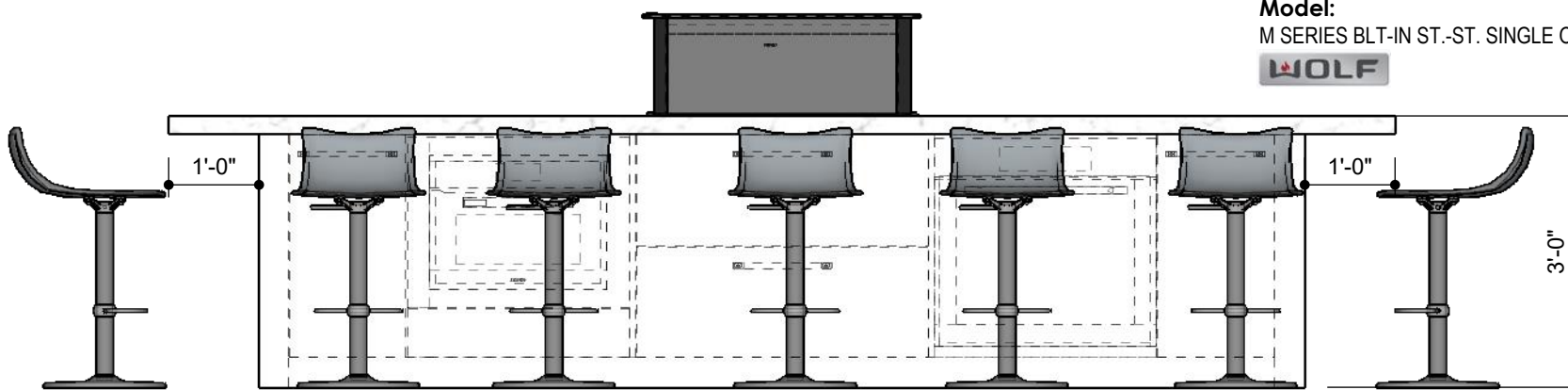
Model:
TRANSITIONAL FRAMED STAINLESS INDUCTION
WOLF

DOWNDRAFT

Model:
DD36 36" DOWNDRAFT VENTILATION
SUB-ZERO

SINGLE OVEN

Model:
M SERIES BLT-IN ST.-ST. SINGLE OVEN
WOLF



WOLF 30" STEAM OVEN

Model:
M SERIES BLT-IN ST.-ST. TRANSITIONAL CONVECTION
WOLF