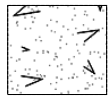


<b>LEGEND</b>		INITIAL
CABINET CONSTRUCTION:	EGGER - BEIGE TEXTILE	
COUNTERTOP:	STONE COUNTERTOP BY OTHERS 	
DRAWER CONSTRUCTION:	EGGER - BEIGE TEXTILE <i>Silver Gray</i>	
DRAWER SLIDES:	UNDERMOUNT SOFT CLOSING SLIDES	
INTERIOR FINISH:	EGGER - BEIGE TEXTILE <i>Silver Gray</i>	
EXTERIOR FINISH 1:	HIGH GLOSS FINISH (COLOR TBD) <i>SW 7070</i>	
EXTERIOR FINISH 2:	STAILESS STEEL FINISH <i>Site White</i>	
DOOR STYLE:	1" FLAT SLAB WITH INTEGRATED FINGER PULLS & SOFT CLOSING HINGES	
HANDLES:	INTEGRATED FINGER PULL	
HINGES:	CONCEALED SOFT CLOSING HINGES	
LIGHTS:	.....	
APPLIANCES:	SPECS REFERENCED	
FIELD DIMENSIONS:	FIELD DIMENSIONS REQUIRED	
MISCELLANEOUS:	<b>GC NEEDS TO RAISE SOFFIT 2"</b>	
SIGNATURE OF APPROVAL:	DATE OF APPROVAL:	

MADISON MILLWORK & CABINET CO., INC.

EMAIL: glenn@madisonmillwork.net

PHONE: (954) 966-7551

FAX: (954) 966-0805

PROJECT NAME: GLIKIN RESIDENCE

CLIENT: WESTHAVEN CONSTRUCTION SERVICES

PHONE #

E MAIL:

DELIVERY DATE:

INSTALLATION TIME FRAME:

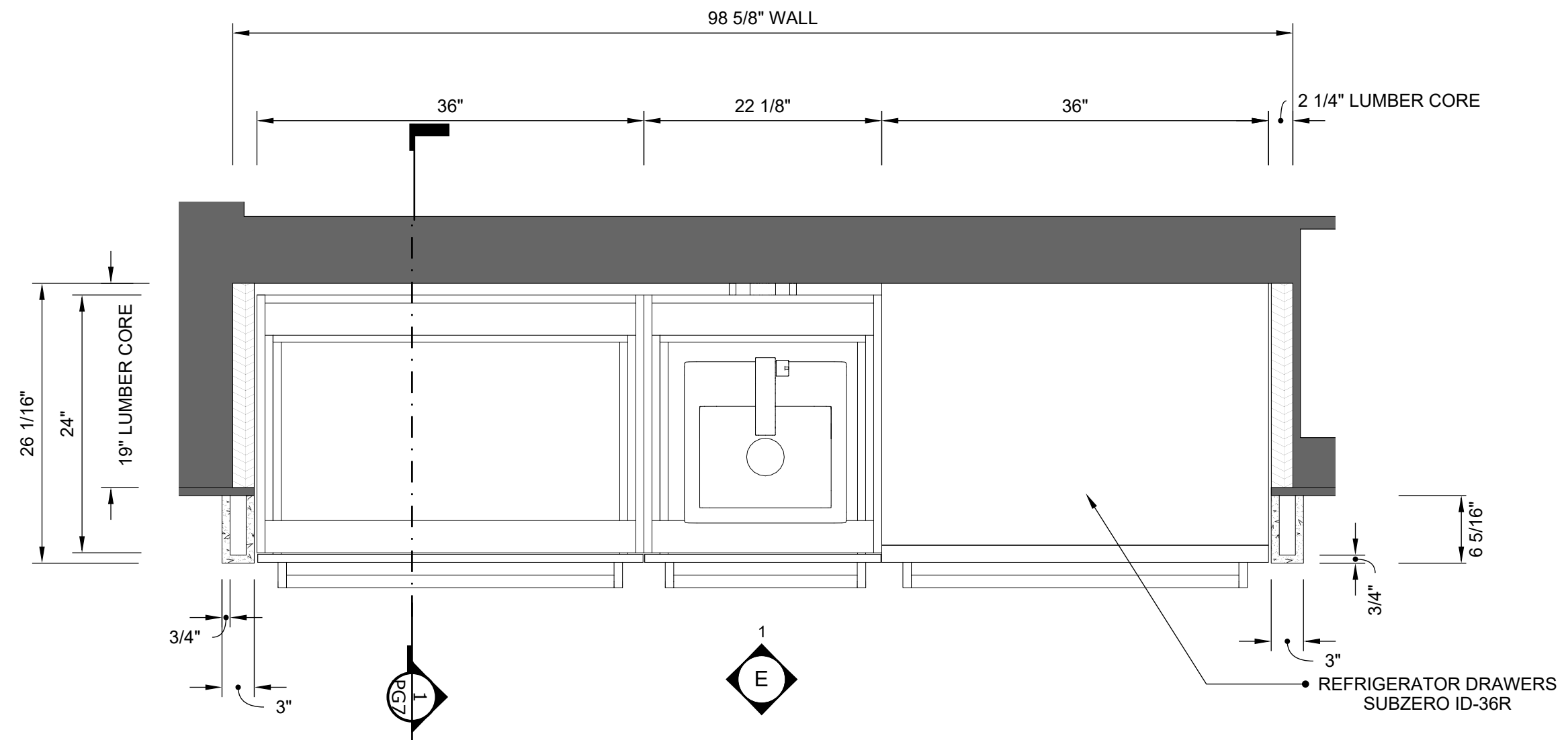
DRAWING DATES:

INITIAL  
 REVIEW 06/123/23  
 CHANGES 06/29/23  
 CHANGES 07/27/23

PROJECT ADDRESS:  
 100 South Pointe Drive  
 Continuum # 904  
 Miami Beach, FL 33139

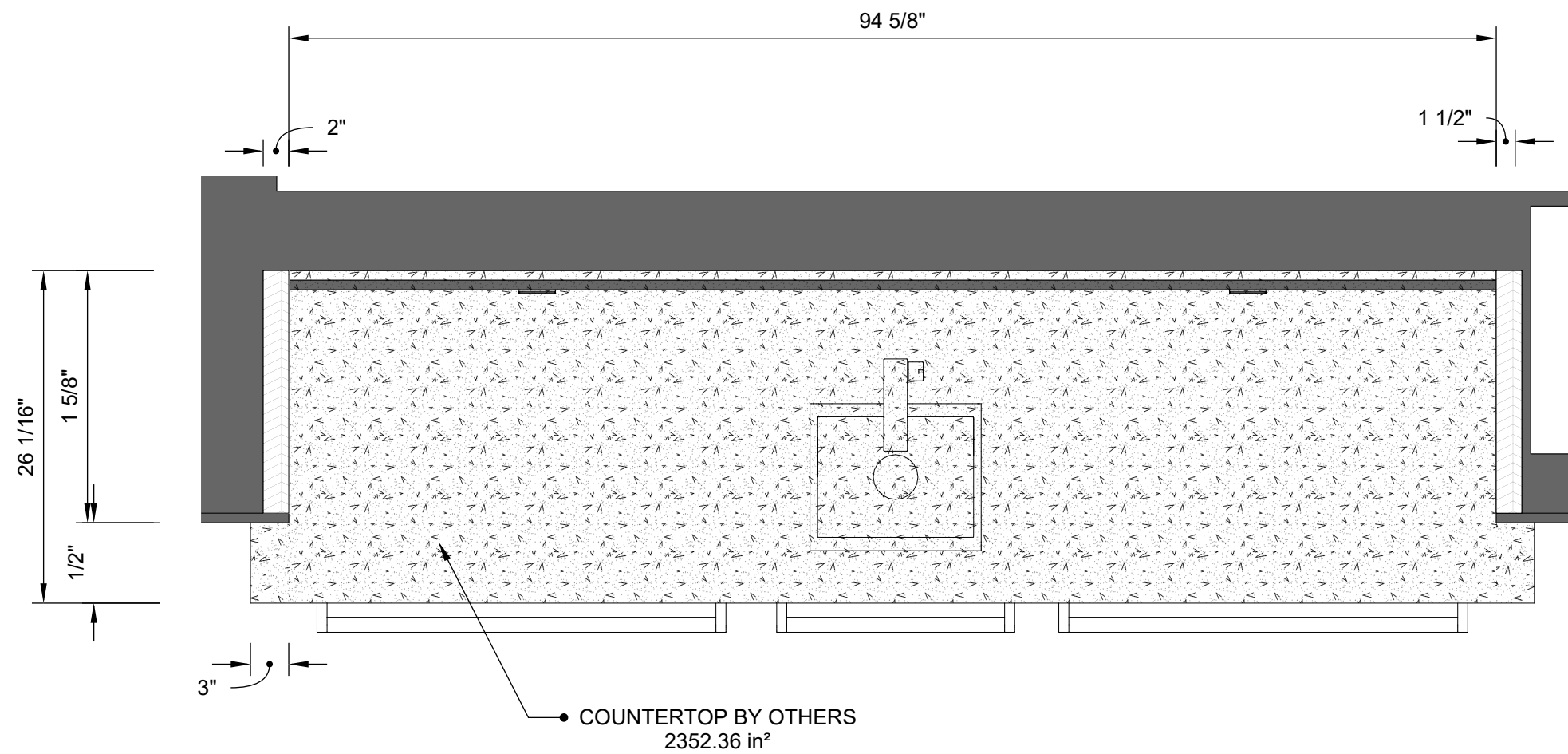
DRWG#GN072723-1400

**(1170) BAR (02162C-02)**



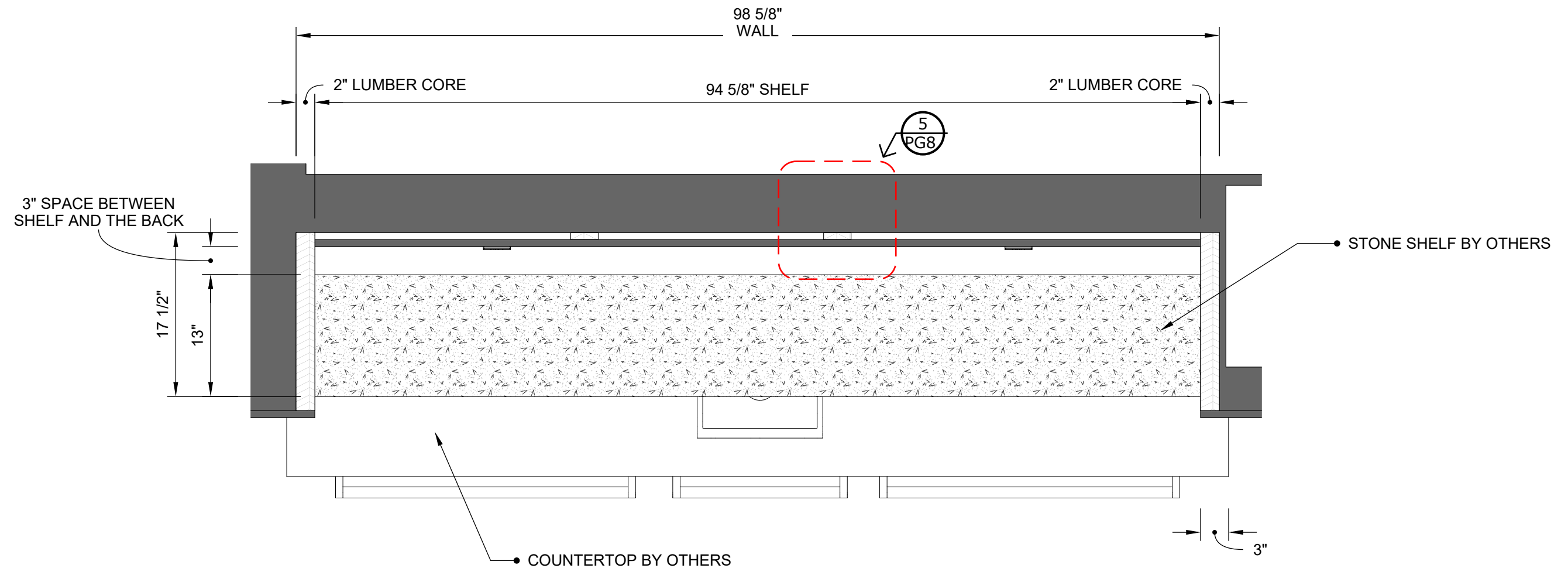
**PLAN VIEW - BASE CABINETS (LEVEL - 1)**

GLIKIN- BAR (02162C-02)



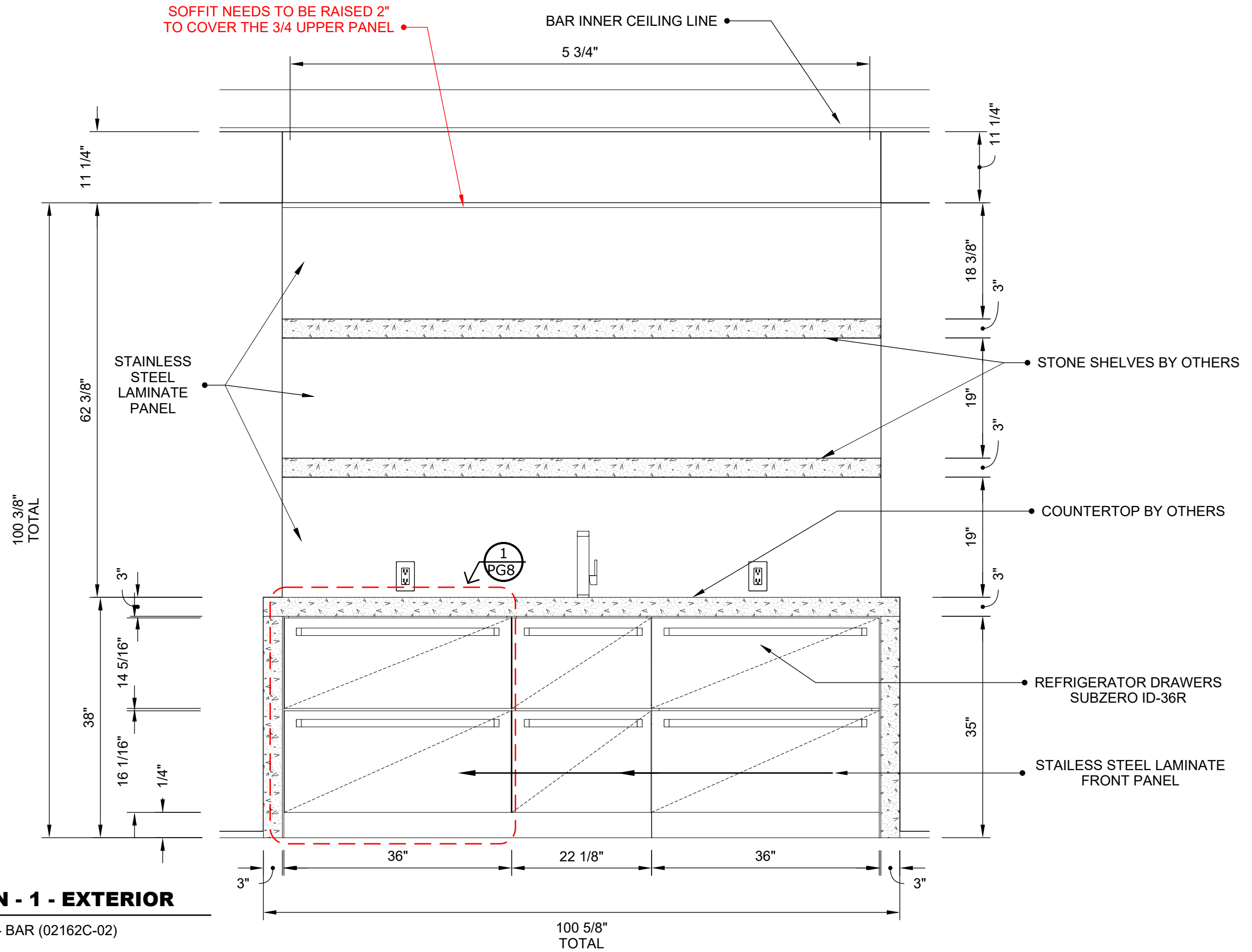
**PLAN VIEW - COUNTERTOP BY OTHERS (LEVEL - 2)**

GLIKIN- BAR (02162C-02)



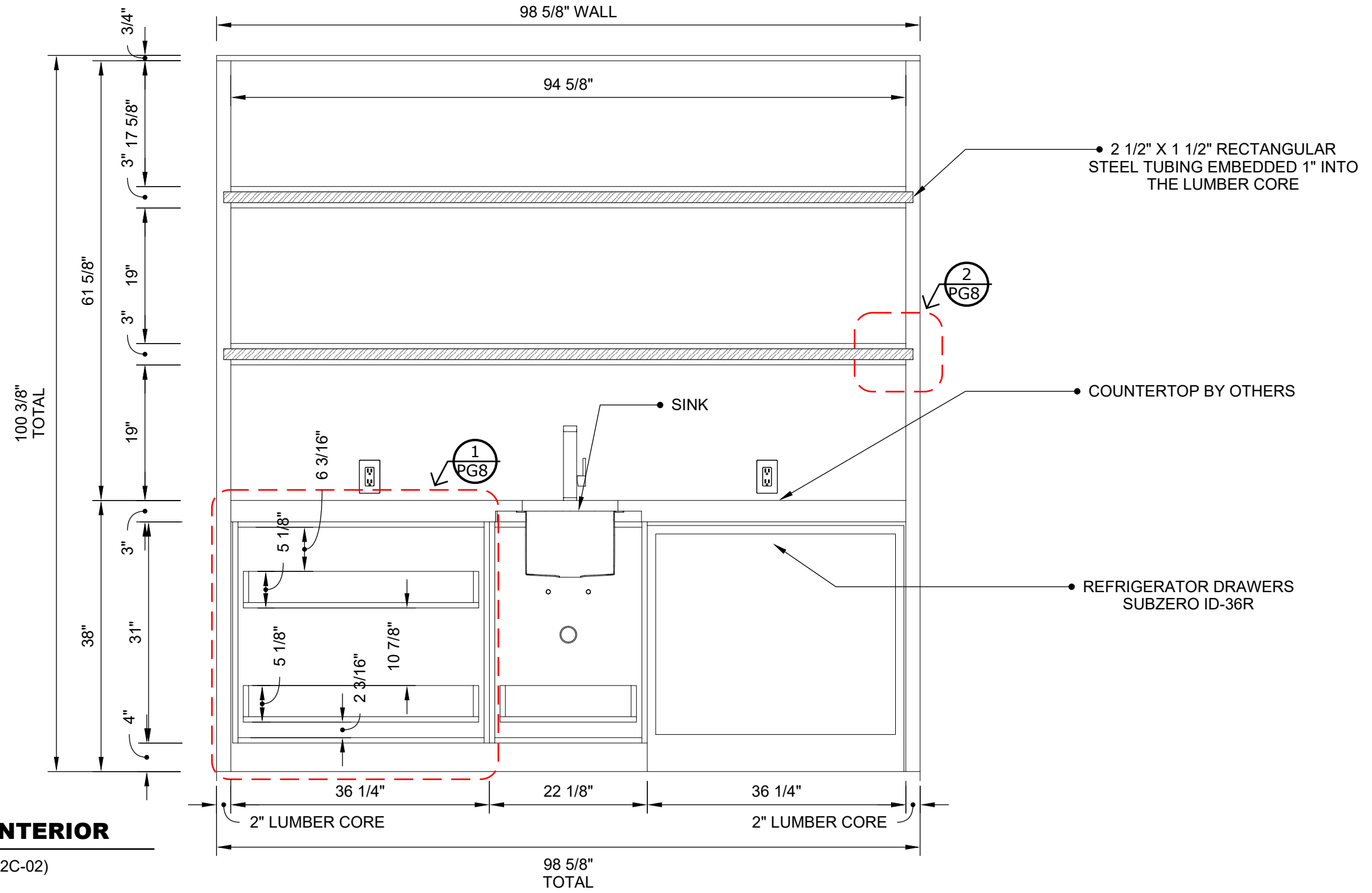
**PLAN VIEW - SHELF (LEVEL - 2)**

GLIKIN- BAR (02162C-02)



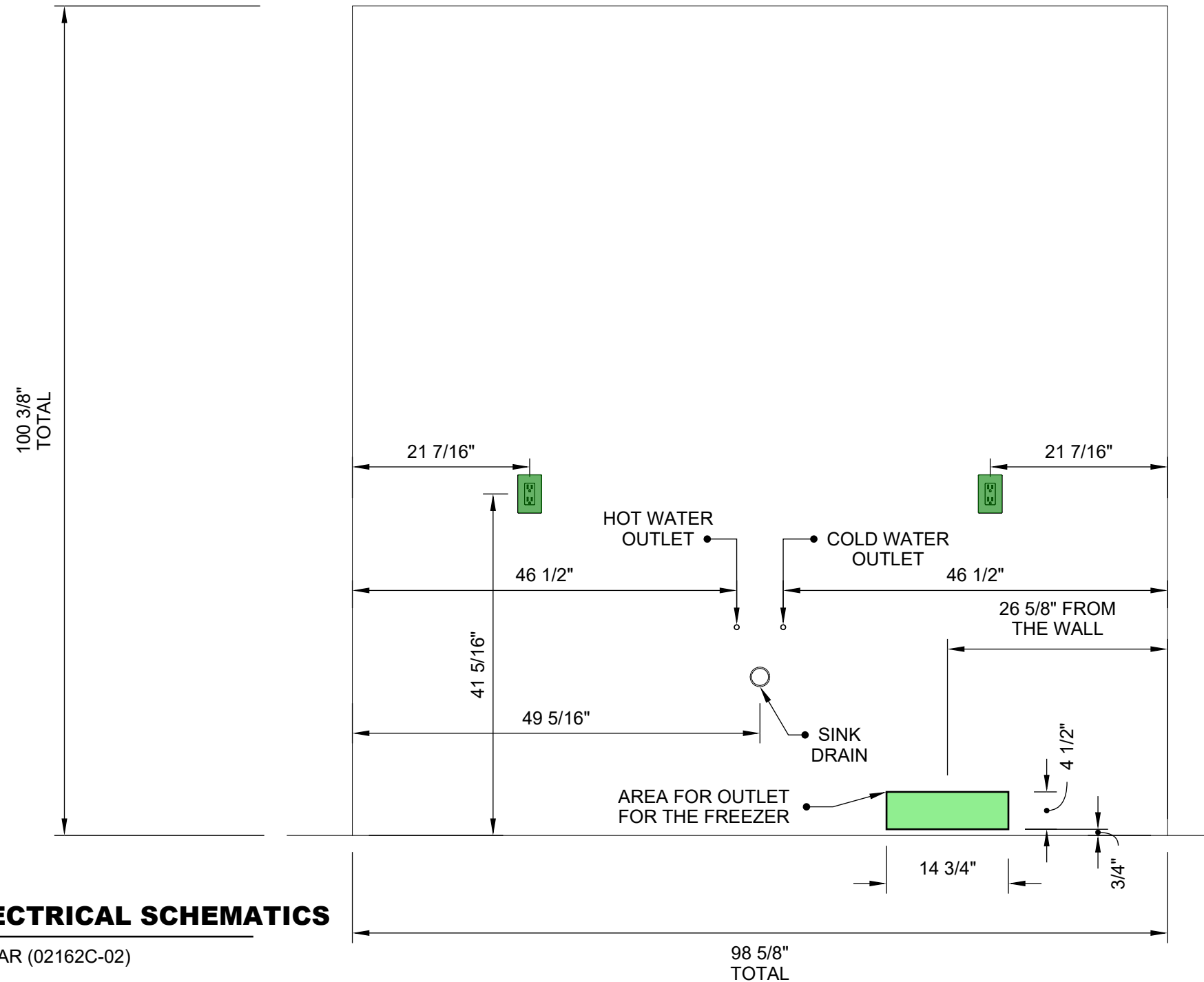
**ELEVATION - 1 - EXTERIOR**

GLIKIN- BAR (02162C-02)



**ELEVATION - 1 - INTERIOR**

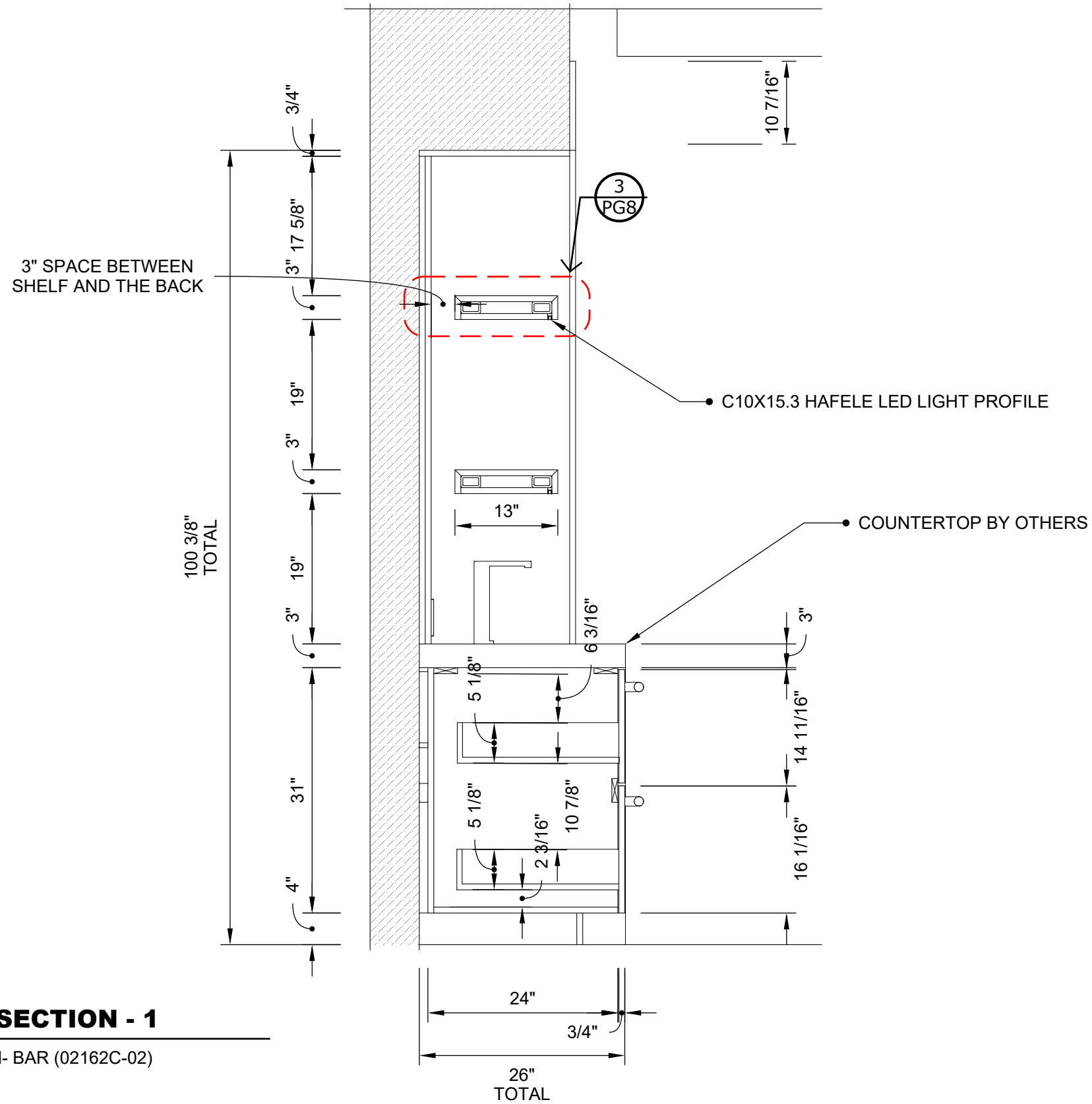
GLIKIN- BAR (02162C-02)



**ELEVATION - 1 - ELECTRICAL SCHEMATICS**

GLIKIN- BAR (02162C-02)

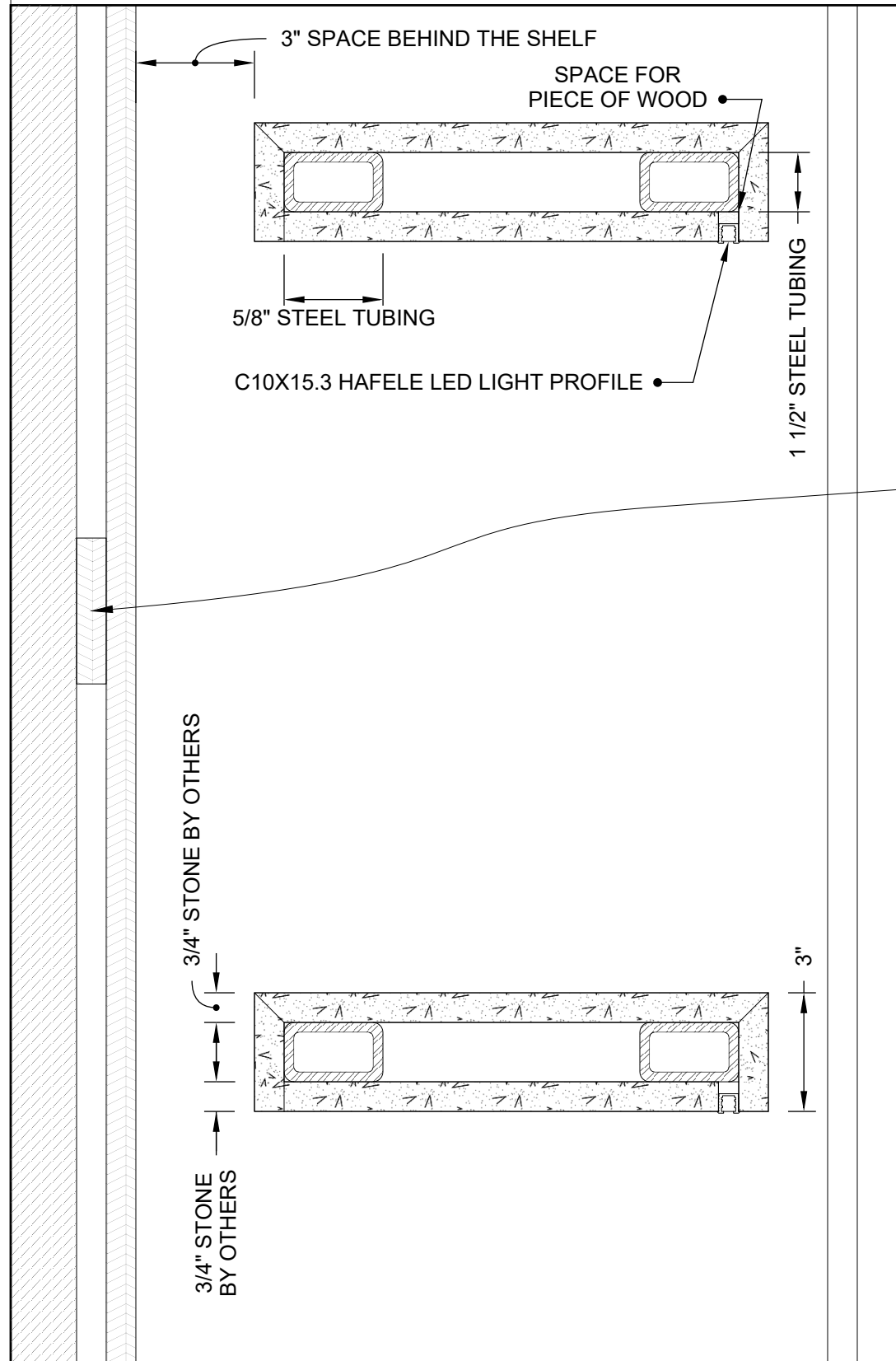
98 5/8" TOTAL



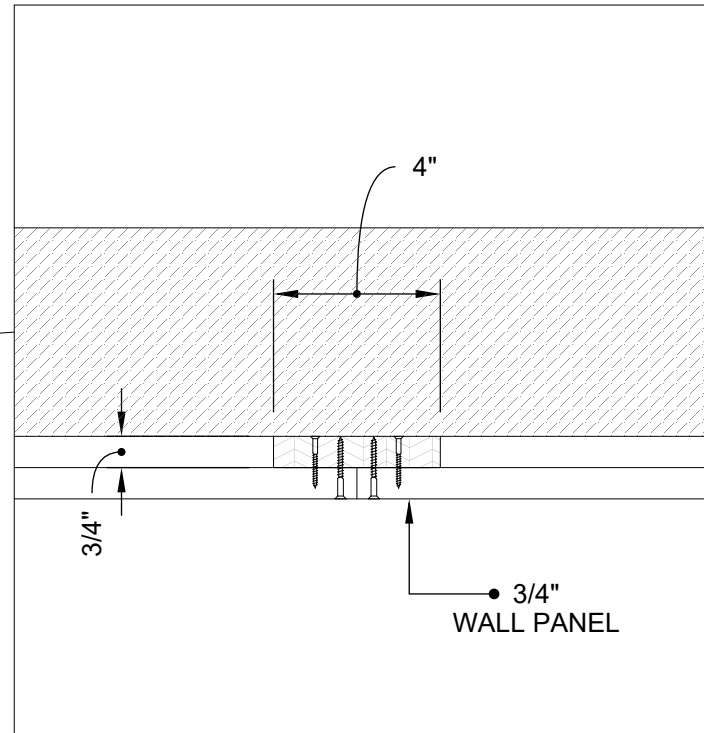
**SIDE SECTION - 1**

GLIKIN- BAR (02162C-02)

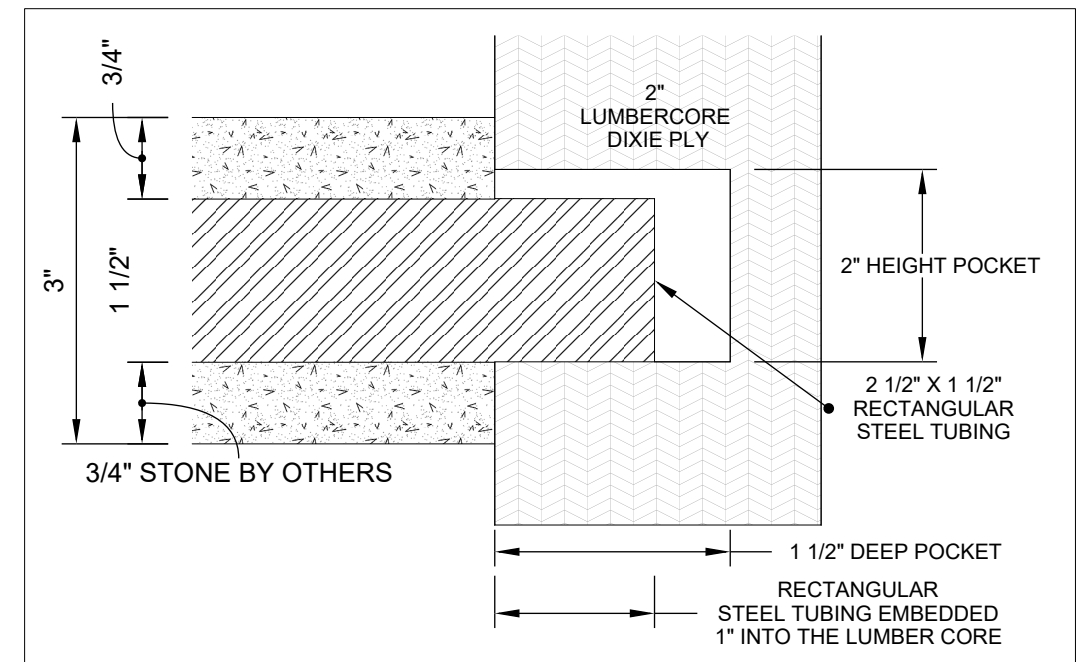




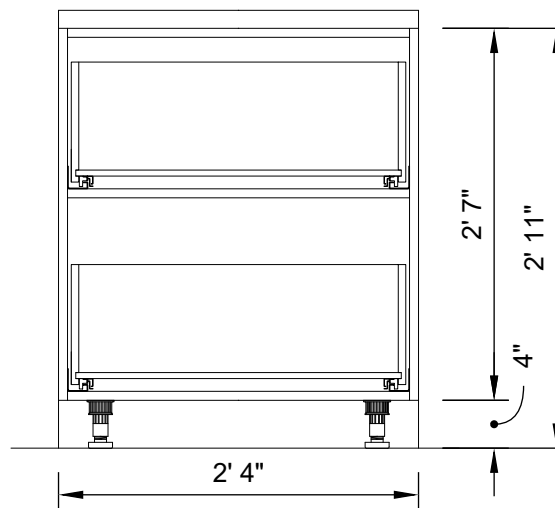
**5** WALL PANEL BRACKET  
**D** PLAN VIEW



**2** SHELF BRACKET DETAIL  
**B** FRONT VIEW



**1** BASE DRAWER UNIT  
**A** INTERIOR VIEW



**3** SHELF SIDE SECTION VIEW  
**C**

**DETAILS**



**RENDERS - 3D VIEWS**

GLIKIN- BAR (02162C-02)

