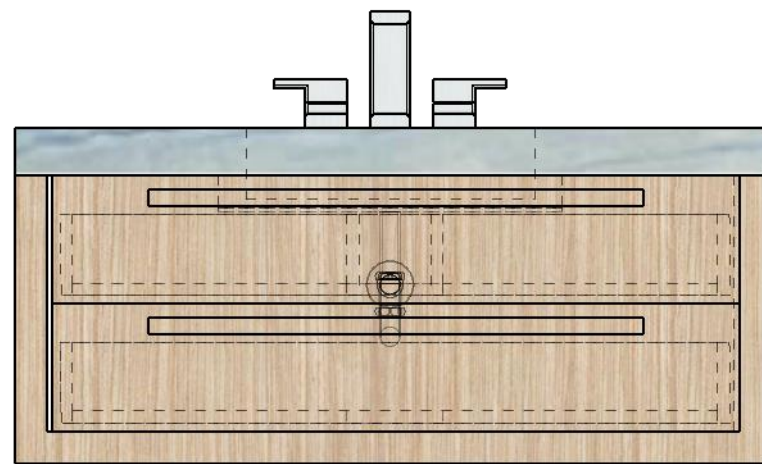




STARTED: 02/ 16/ 2023		
COMPLETED: 12/22/2023		
REVISIONS		
1	changes in the dimensions of the sink taking into account the models reflected in the carpenter's plans	12/22/2023

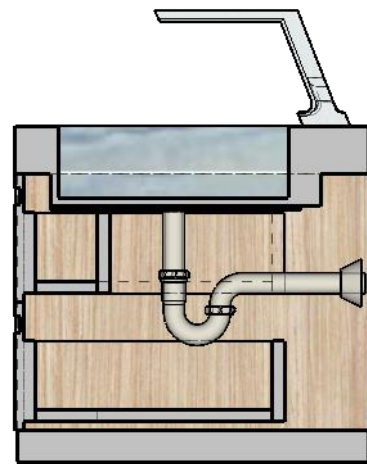
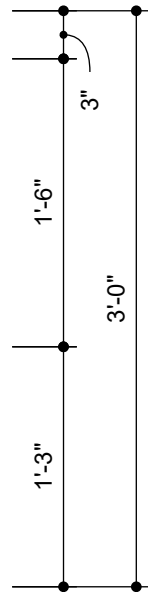
THIS IS NOT A SHOP DRAWING

All Measurements must be **VERIFIED IN FIELD**



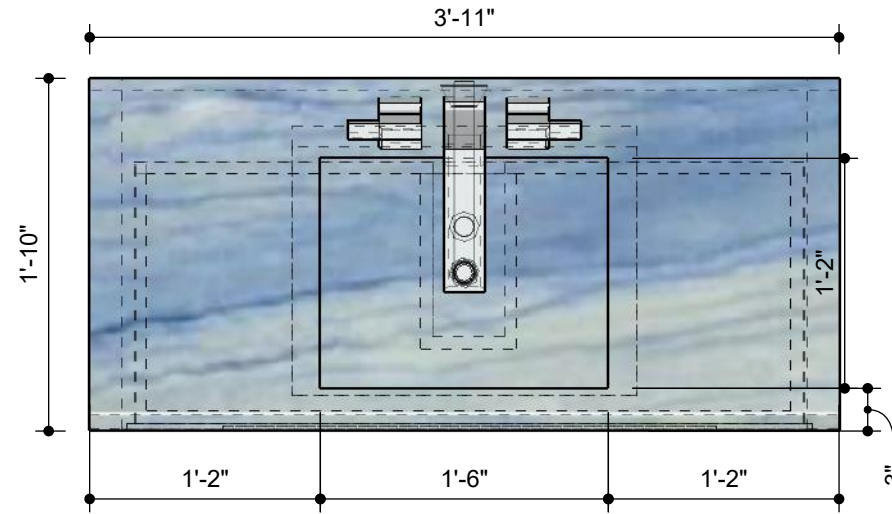
FRONT VIEW

Scale 1:12



SIDE VIEW

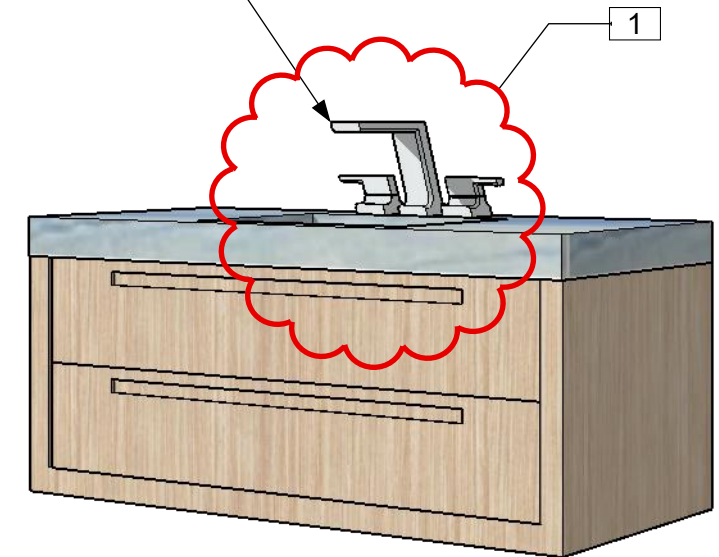
Scale 1:12



TOP VIEW

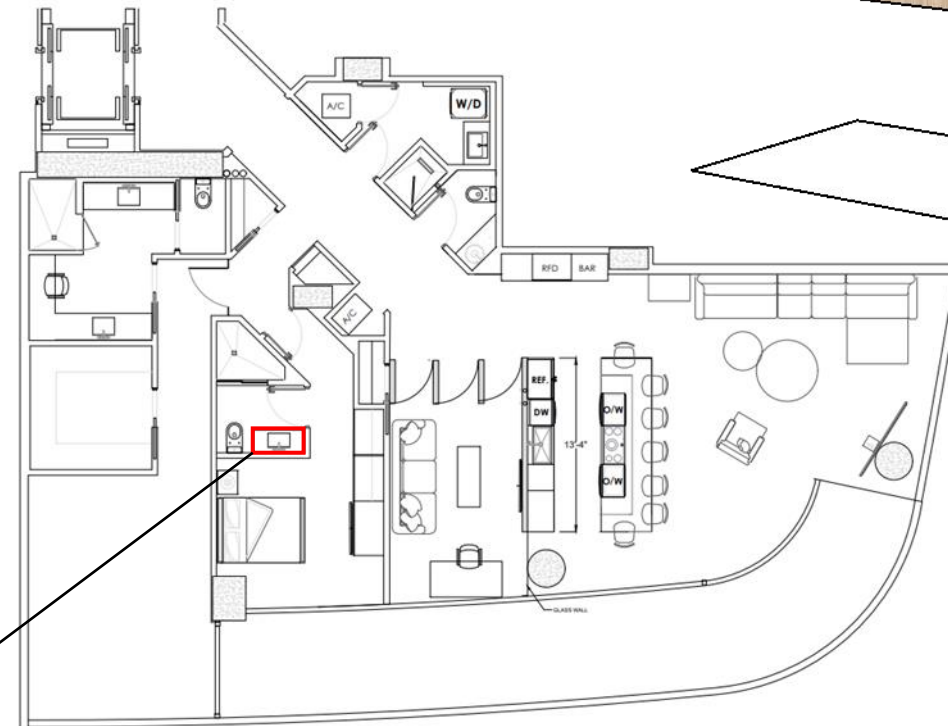
Scale 1:12

2560 SKYLAR



PERSPECTIVE VIEW

Not Scaled



LOCATION

Not Scaled

DESIGN CONCEPT

ALL MEASUREMENTS MUST BE VERIFIED IN FIELD
This drawing is not intended to be used for contract pricing or fabrication purposes. All content is subject to change.

DISCARD ALL DRAWINGS THAT WERE MADE ON THIS ITEM PRIOR TO THE DATE BELOW:
12/22/2023

NOTES

Drawings may not be scaled. The numerical dimensions represent correct measurements. All dimensions are given from finished floor and finished wall unless otherwise noted. All design ideas, drawings and plans represented here are owned by the property of **WESTHAVEN CONSTRUCTION SERVICES.** All rights reserved. Above suggested electrical and plumbing locations, must be verified in field.