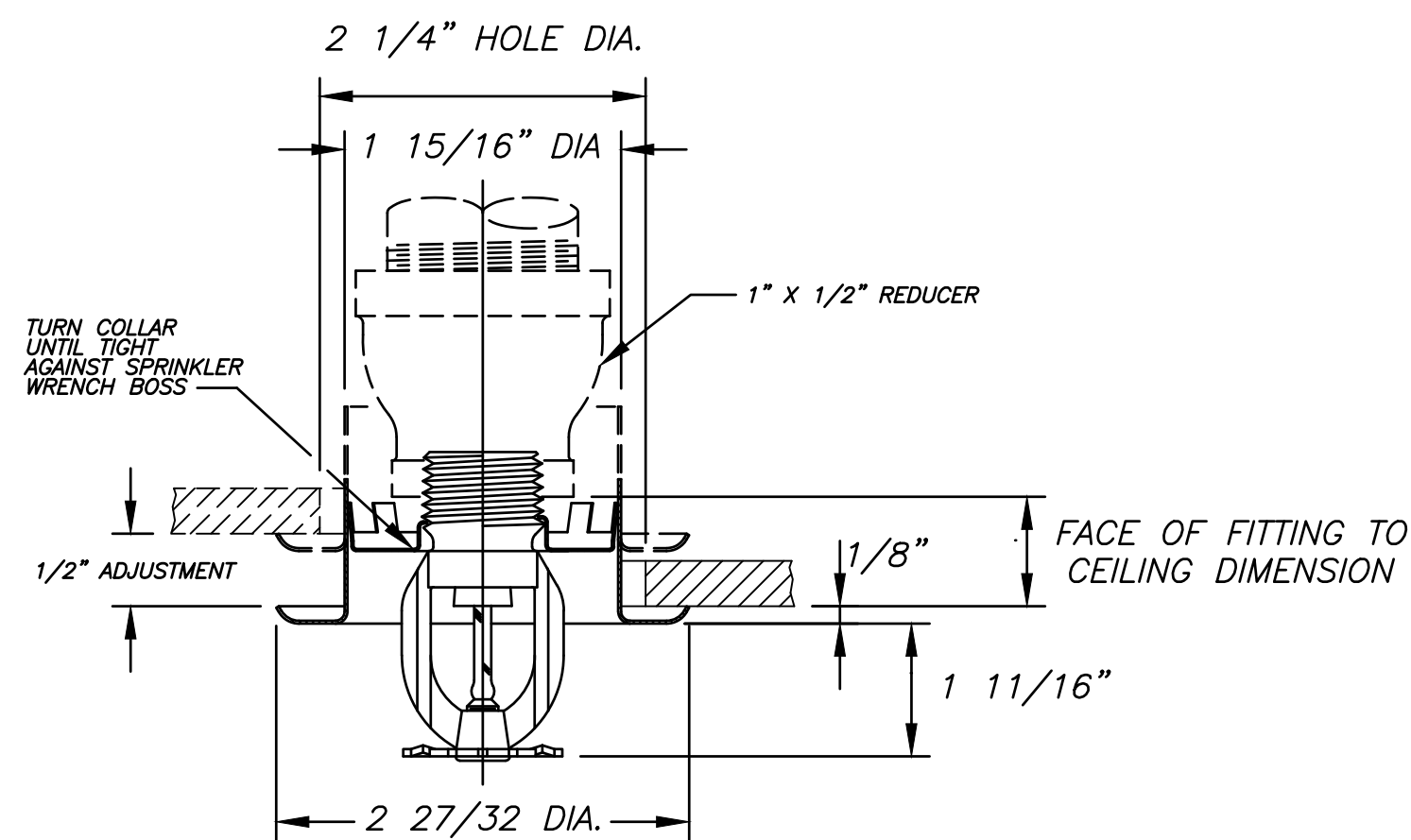


TYPICAL HANGER DETAIL
N.T.S.

PIPE SIZE	ROD SIZE	TYPE OF FASTENER	MIN. 'C' DIM.	MAX. 'C' DIM.
3/4"	3/8"	1-3/8" X 1-17/32" DROP-IN ANCHOR	1/2"	1-5/8"
1"			5/8"	1-3/4"
1-1/4"			13/16"	1-7/8"
1-1/2"			15/16"	2"
2"			1-3/16"	2-3/8"
2-1/2"	1/2"	1-1/2" X 2-1/32" DROP-IN ANCHOR	1-7/16"	2-3/4"
3"			1-3/4"	3-1/4"
3-1/2"			2"	3-5/8"
4"			2-1/4"	3-7/8"
5"	5/8"	1-5/8" X 2-15/32" DROP-IN ANCHOR	2-3/4"	4-3/4"
6"			3-5/16"	5-1/2"
8"	N/A	N/A	N/A	N/A

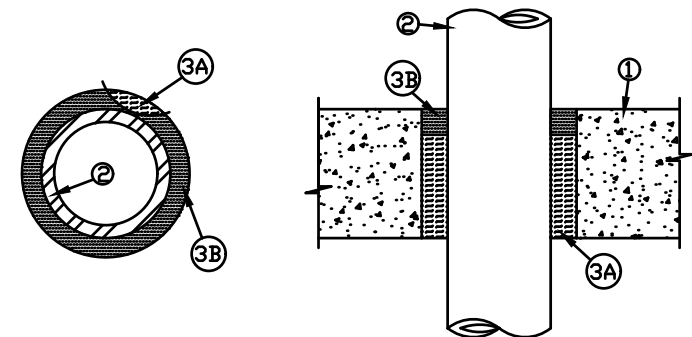
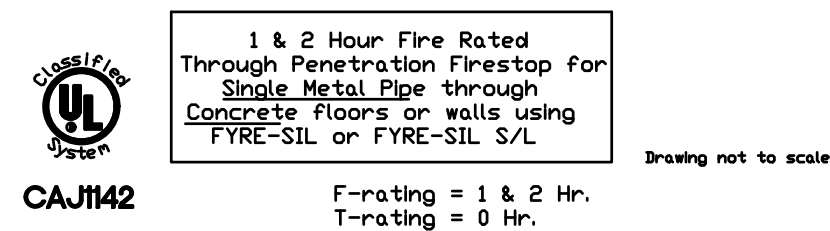


TYPICAL RECESSED PENDENT SPRINKLER DETAIL

FIRE PROTECTION NOTES:

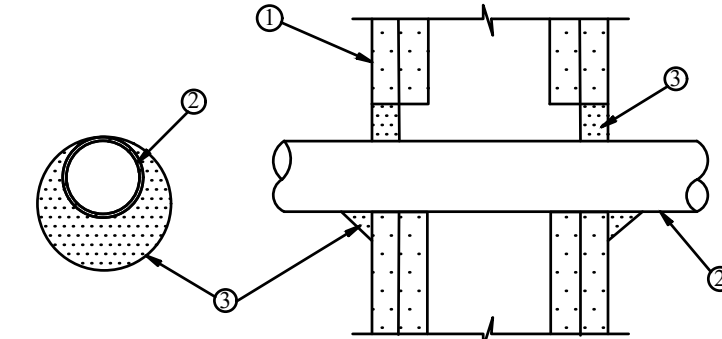
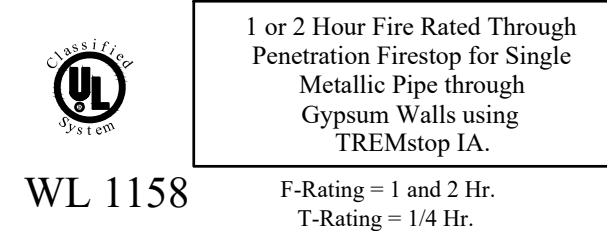
- ALL FIRE SPRINKLER WORK SHALL BE DONE ACCORDING TO LATEST N.F.P.A. 13, 25, 101 AND STATE AND LOCAL CODES AND ORDINANCES.
- CONTRACTOR SHALL PAY ALL FEES, INSPECTION AND CONNECTION CHARGES REQUIRED.
- SPRINKLER CONTRACTOR SHALL VERIFY ALL SPACE CONDITIONS AND DIMENSIONS AT JOB SITE PRIOR TO FABRICATION AND INSTALLATION OF MATERIALS AND EQUIPMENT.
- COORDINATE WORK WITH OTHER TRADES.
- SUBMIT SHOP DRAWINGS TO ENGINEER FOR APPROVAL OF ALL EQUIPMENT, MATERIALS, LAYOUTS AND CALCULATIONS, PRIOR TO INSTALLATION.
- SPRINKLER CONTRACTOR SHALL GUARANTEE ALL WORK FREE OF DEFECTS IN MATERIAL AND WORKMANSHIP FOR A PERIOD OF ONE YEAR FROM DATE OF ACCEPTANCE.
- FIRE LINES [INCLUDING FIRE SPRINKLER LINES]**
 - UNDERGROUND: DUCTILE IRON PIPE.
 - ABOVE GROUND: SCHEDULE TO ALLIED XL-IN CONCEALED SPACE
 - SPRINKLER STANDPIPE SHALL BE SCHEDULE 10 BLACK STEEL PIPE WITH GROOVED FITTINGS.
- ALL VALVES SHALL BE UL LISTED FOR FIRE PROTECTION SERVICE AND BE SUPERVISED BY THE FIRE ALARM SYSTEM.
- DOUBLE CLAPPER PROJECTING SIAMESE CONNECTIONS SHALL BE GUARDIAN MODEL 133 OR EQUAL.
- TESTS:** WATER PIPING: TEST TO 50 PSI BEYOND THE HIGHEST ANTICIPATED PRESSURE.

NOTE: ALL LOW POINTS TO BE EQUIPPED WITH AUXILIARY DRAINS PER NFPA 13
- ALL EXPOSED WET PIPING SHALL BE INSULATED TO PREVENT FREEZING
- THESE DRAWINGS WERE PREPARED BASED ON NFPA-13, 2002 EDITION
- CONTRACTOR SHALL PROVIDE SHOP DRAWINGS. SHOP DRAWINGS SHALL COMPLY WITH N.F.P.A. 13 AND NFPA 101.8.6.7 THESE DRAWINGS ARE A BASIS OF DESIGN ONLY. CONTRACTOR SHALL INCLUDE ANY MISSING INFORMATION BASED ON N.F.P.A. 13.
- SEE FIRE ALARM DRAWINGS FOR ALL SEQUENCES AND INTERLOCK BETWEEN FIRE SPRINKLER SYSTEM AND FIRE ALARM SYSTEM.
- ELEVATORS SHALL BE PROTECTED PER NFPA 13.4-5.5, UNIFORM SAFETY RULES, CHAPTER 4A-47. COMPLIANCE WITH STATE FIRE MARSHALS RULES 4A-47.



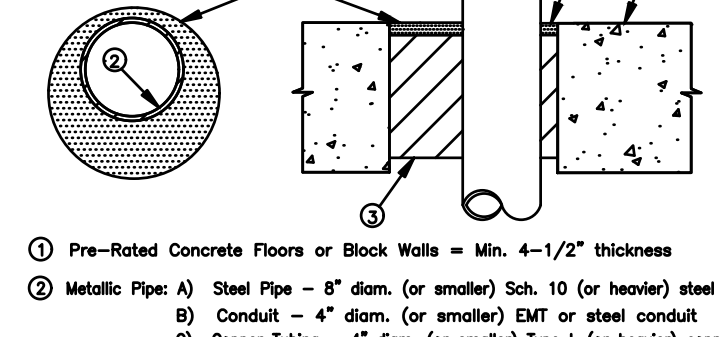
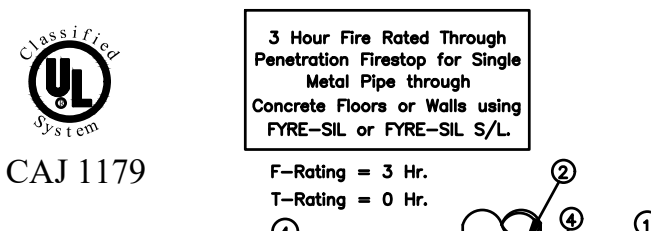
- Floor or Wall assembly = 4 1/2" thick concrete
- Steel Pipe - 4" diam. (or smaller) Sch. 40 (or heavier) steel. Annular space is max. 3/4"
- A) 3 1/2" thick mineral wool (min. 4.0 pcf), friction fitted. B) 1" thickness of FYRE-SIL or FYRE-SIL S/L (Floors only)

FIRE RATED PIPE PENETRATION DETAIL
N.T.S.



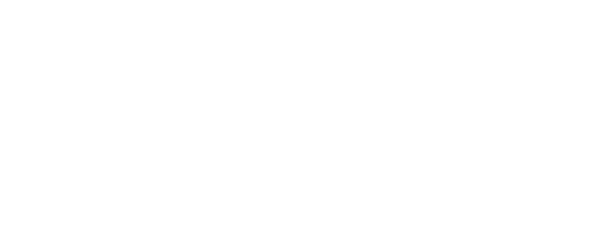
- Pre-Rated Gypsum Wallboard/Stud Wall Assembly
- Metallic Pipe - A) Steel Pipe - 12" diam. (or smaller) Sch. 10 (or heavier) steel pipe. B) Iron Pipe - 12" diam. (or smaller) cast or ductile iron pipe. C) Copper Tubing - 4" diam. (or smaller) Type L (or heavier) copper tubing. D) Copper Pipe - 4" diam. (or smaller) Regular (or heavier) copper pipe. The annular space shall be min. 0" to max. 1" within the firestop system.
- TREMstop IA - Min. 1/2" thickness of sealant applied within opening. Min. 1/4" cent bead of sealant to be applied at point contact.

FIRE RATED PIPE PENETRATION DETAIL

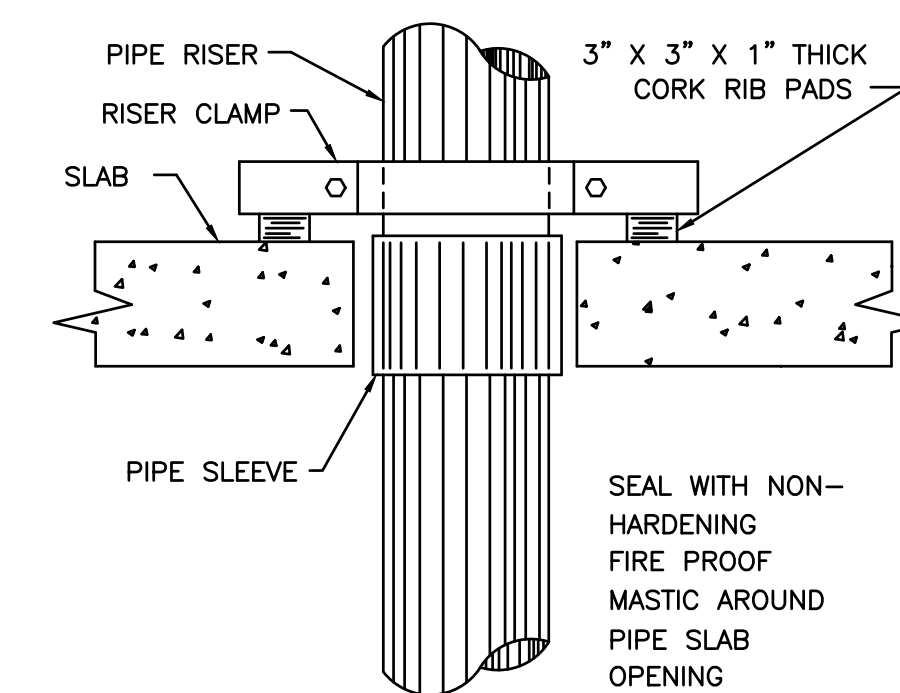
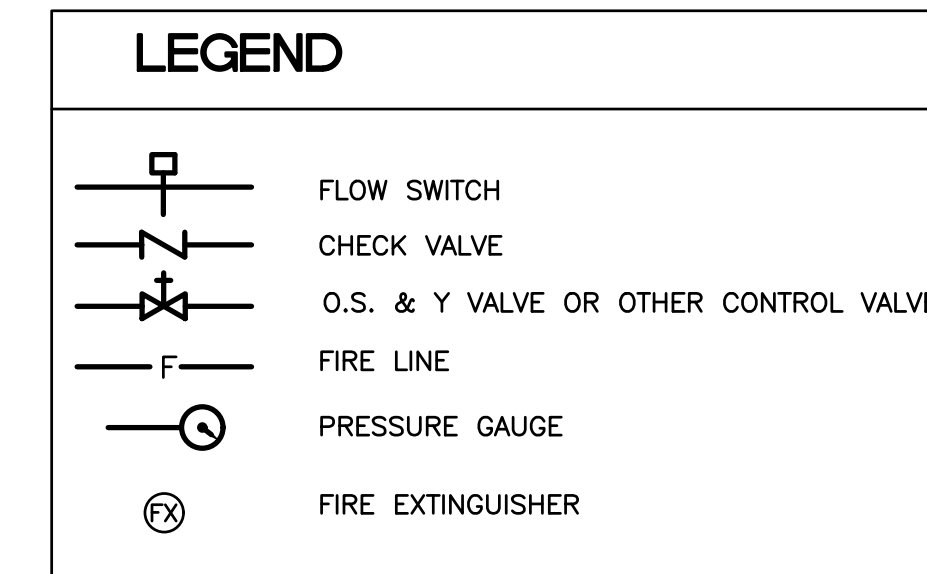


- Pre-Rated Concrete Floors or Block Walls = Min. 4-1/2" thickness
- Metallic Pipe: A) Steel Pipe - 8" diam. (or smaller) Sch. 10 (or heavier) steel pipe. B) Conduit - 4" diam. (or smaller) EMT or steel conduit. C) Copper Tubing - 4" diam. (or smaller) Type L (or heavier) copper tubing. D) Copper Pipe - 4" diam. (or smaller) Regular (or heavier) copper pipe. The annular space shall be min. 1/2" to max. 3-3/8" within the firestop system.
- Packing Material - Min. 3-1/2" thick mineral wool (min. 6.0 pcf) insulation, firmly packed into opening as a permanent form.
- FYRE-SIL or FYRE-SIL S/L - Min. 1/2" thickness of sealant applied within annula, flush with top of floor surface or with both sides of the wall assembly.

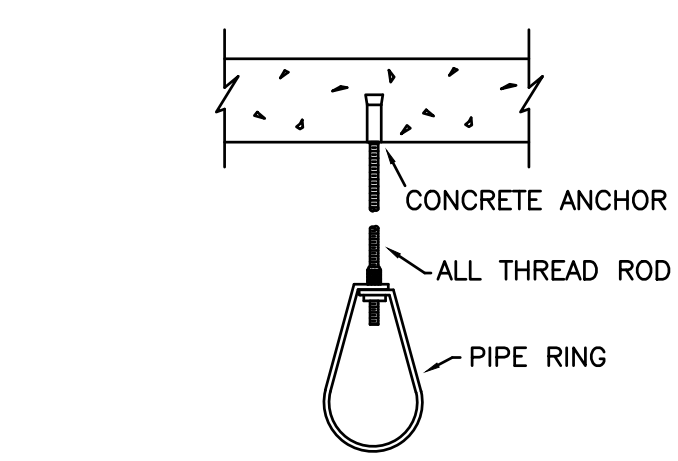
FIRE RATED PIPE PENETRATION DETAIL
N.T.S.



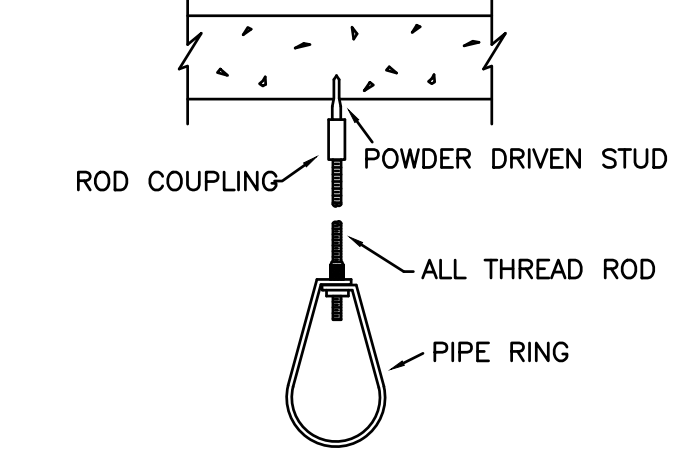
FIRE RATED PIPE PENETRATION DETAIL
N.T.S.



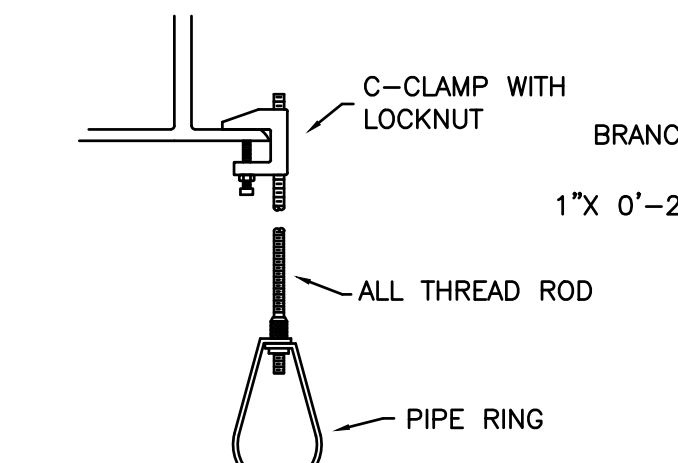
TYPICAL VERTICAL WATER PIPE SUPPORT DETAILS



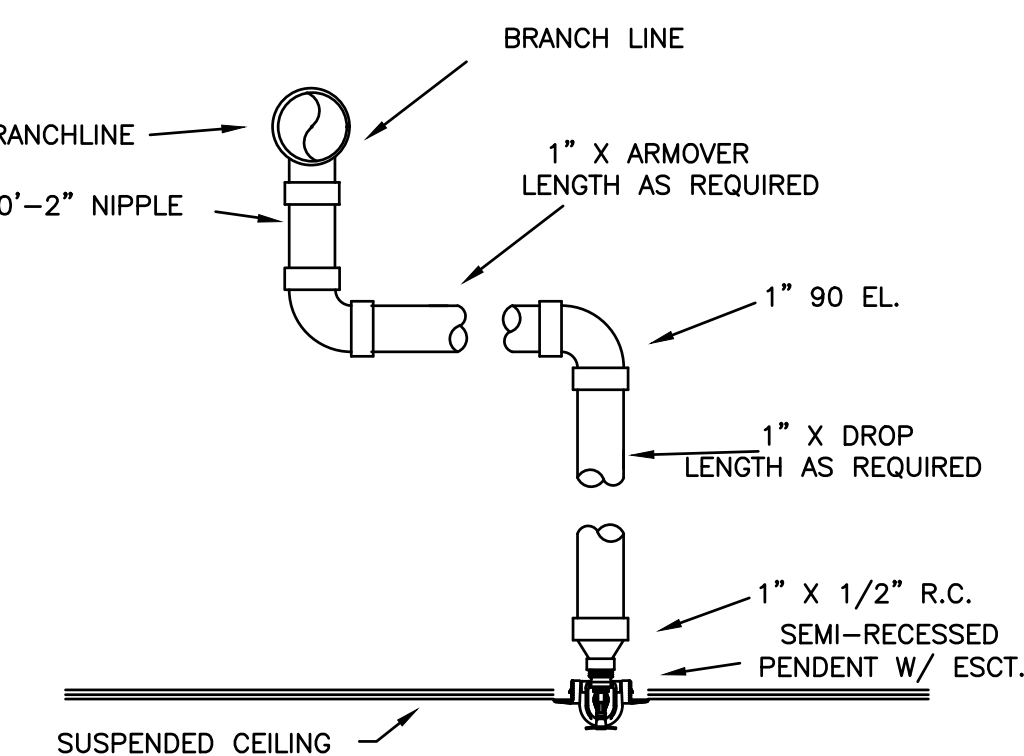
DRILLED CONC. ANCHOR HANGER



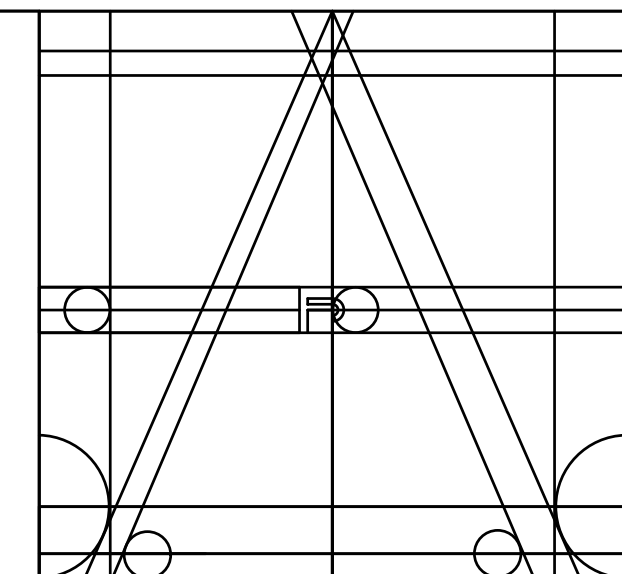
POWDER DRIVEN STUD HANGER



C-CLAMP HANGER



TYP. SWING AND DROP ASSEMBLY



ANA STUDIO ARCHITECTURE, PC
ANA RESKREIS, RA
280 RIVERSIDE DRIVE (8th), NEW YORK, N.Y. 10025
+1 516.641.5416 +1 516.641.8624
ANASTUDIO@GMAIL.COM
WWW.FRENCHDRS.COM

WEXLER RESIDENCE
300 SOUTHPOINTE DR.
4304

MIAMI BEACH, FL.
33139

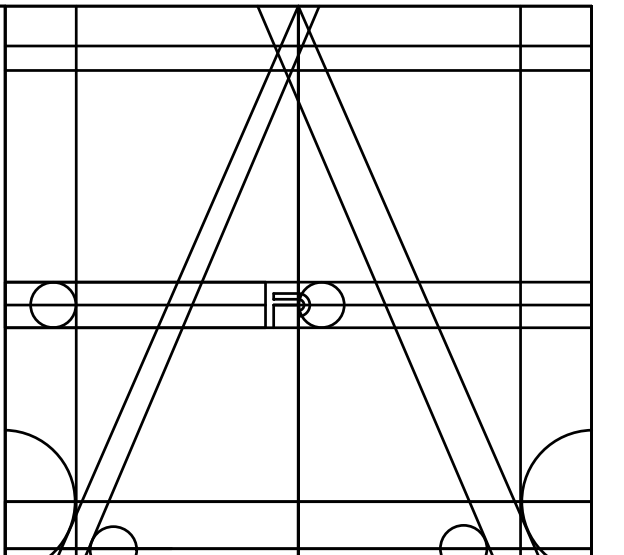
NOTES

No.	Date	Description

TITLE

DATE: 12-12-2023
PROJECT No:
DRAWN BY:
CHECKED BY:
DWG No:

Fine Line Engineers Inc.
Electrical, Mechanical, Plumbing
Fire Protection, Construction Administration
2089 W. 76TH STREET Hialeah, FL 33016
Voice: 786.953-4801 Fax: 786.953-4907
E-mail: admin@fineengineers.com
GEORGE FREJO, P.E.
REGISTERED ENGINEER NO. 35578
STATE OF FLORIDA, C.A.# 22796



ANA STUDIO ARCHITECTURE, PC
 ANA RESKREIS, RA
 280 RIVERSIDE DRIVE (8th), NEW YORK, N.Y. 10025
 +1 516.641.5416 +1 516.641.8624 55
 ANASTUDIO@GMAIL.COM
 WWW.FRENCHIDRMS.COM

WEXLER RESIDENCE
 300 SOUTHPOINTE DR.
 4304
 MIAMI BEACH, FL.
 33139

NOTES

No.	Date	Description

TITLE

SCALE SIGNATURE	DATE: 12-12-2023
	PROJECT No:
	DRAWN BY:
	CHECKED BY:
	DWG No:

Fine Line Engineers Inc.
 Electrical, Mechanical, Plumbing
 Fire Protection, Construction Administration
 2089 W. 76TH STREET Hialeah, FL 33016
 Voice: 786.913-4301 • Fax: 786.913-4907
 E-mail: caddr@fineengineers.com
 GEORGE FREJO, P.E.
 REGISTERED ENGINEER NO. 25578
 STATE OF FLORIDA C.A.# 27396