



**WESTHAVEN**  
CONSTRUCTION SERVICES, INC.

2400 W 84th St Unit # 20,  
Hialeah, FL 33016  
Ph. 305 556 1416  
www.westhavencn.com

**PROGRESS DRAWING  
FOR APPROVAL**



© 2024 WHCN

CONTACT DESIGN TEAM

**BASE VERSION**

SUBJECT TO REVISIONS

**1604 CONTINUUM NORTH**  
0000 Fl, 33000

ISSUE  
1.1 / 4 / 2024  
RE - ISSUE  
11/21/2024

OWNER  
LOZINSKI  
PAGE No 1  
DESIGN BY  
J. Alonso  
DRAWN BY  
A. Quintero

**DESIGN CONCEPT**

**ALL MEASUREMENTS  
MUST BE  
VERIFIED IN FIELD**

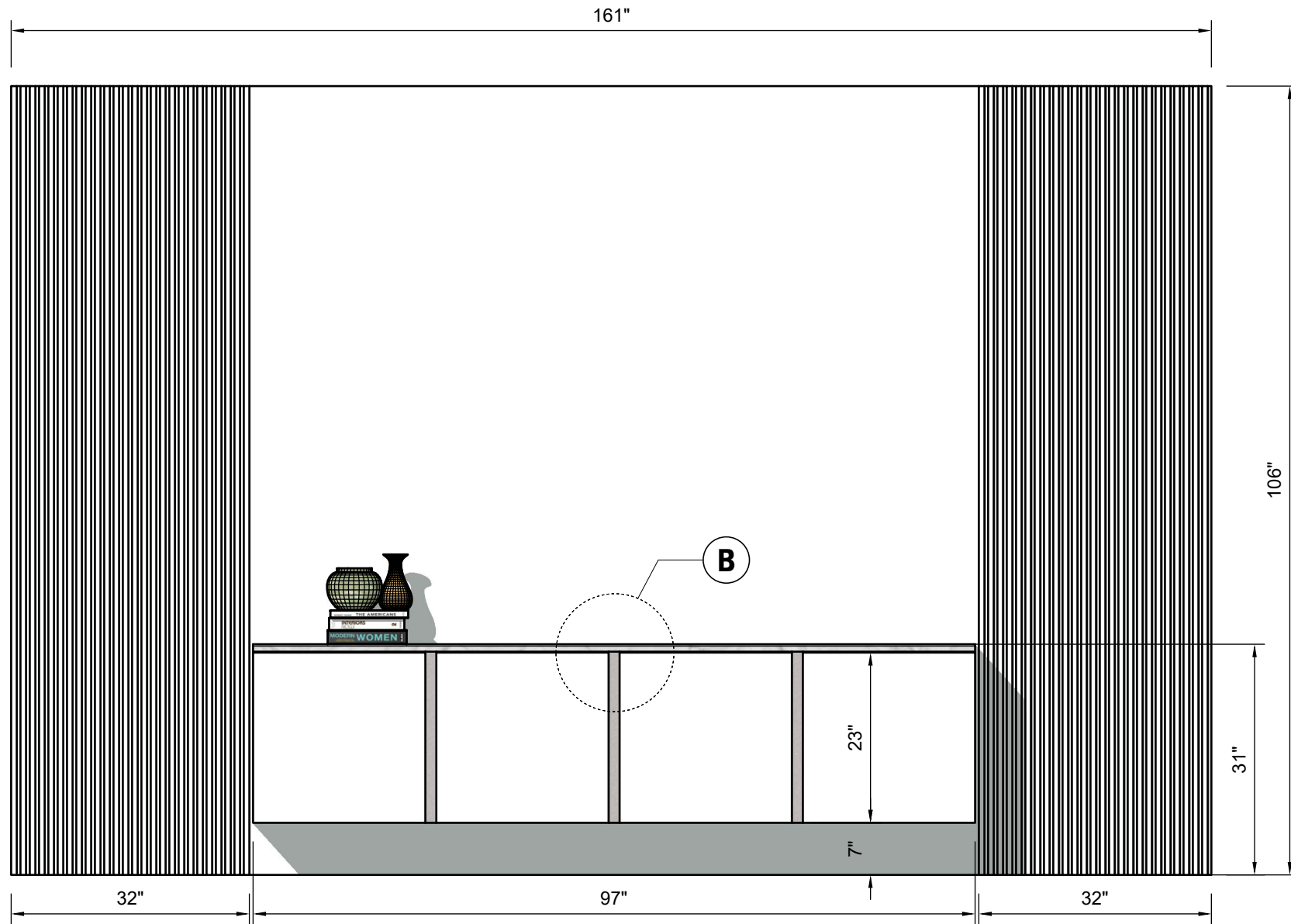
DISCARD ALL DRAWINGS THAT  
WERE MADE ON THIS ITEM PRIOR  
TO THE DATE BELOW:

**11/21/2024**

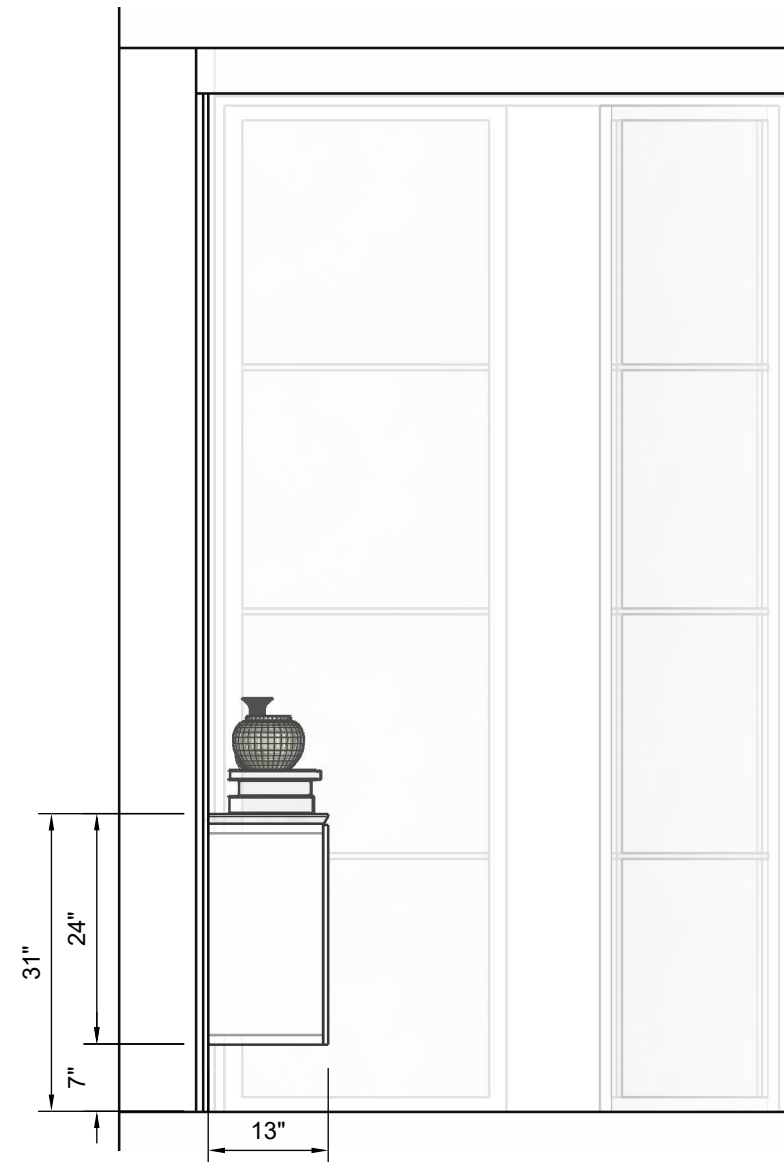
This drawing is not intended to be used  
for contract pricing or fabrication  
purposes.  
All content is subject to change

**D - 01**

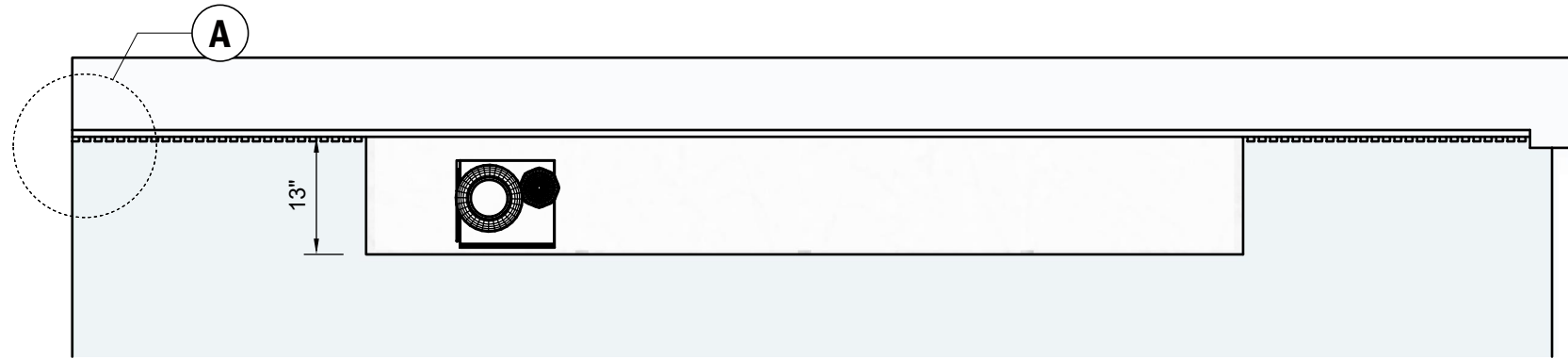
DINING ROOM  
WALL CONSOLE



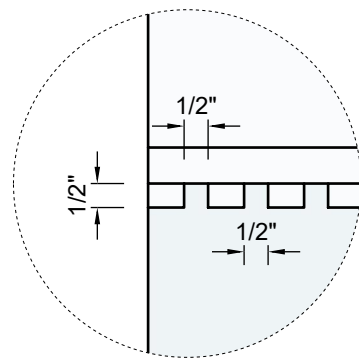
**FRONT VIEW**  
Scale 1:16



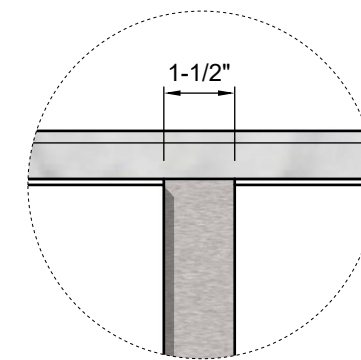
**SIDE VIEW**  
Scale 1:16



**TOP VIEW**  
Scale 1:16



**DETAIL A**  
Scale 1:00



**DETAIL B**  
Scale 1:00

**THIS IS NOT A SHOP DRAWING**

All Measurements must be **VERIFIED IN FIELD**

**NOTE**

Drawings may not be scaled.

The numerical dimensions represent correct measurements. (If not indicated, the precision of the dimensions by default is to 1")

All design ideas, drawings and plans represented here are owned by the property of WESTHAVEN CONSTRUCTION SERVICES, INC. All rights reserved. Above suggested electrical and plumbing locations, must be verified in field.